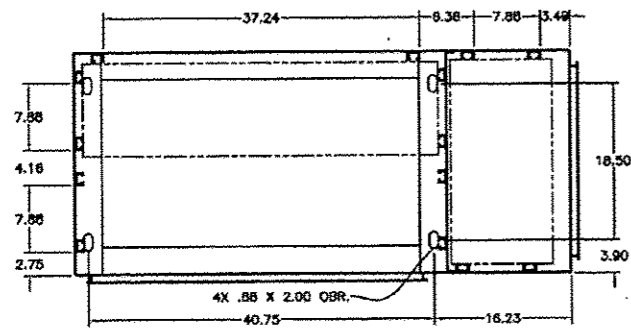
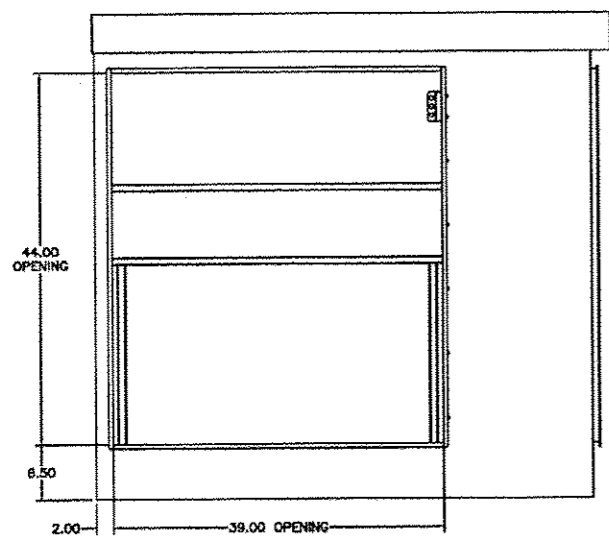


FRONT VIEW

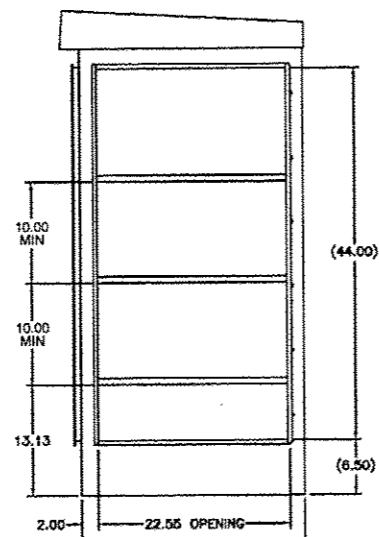
SIDE VIEW



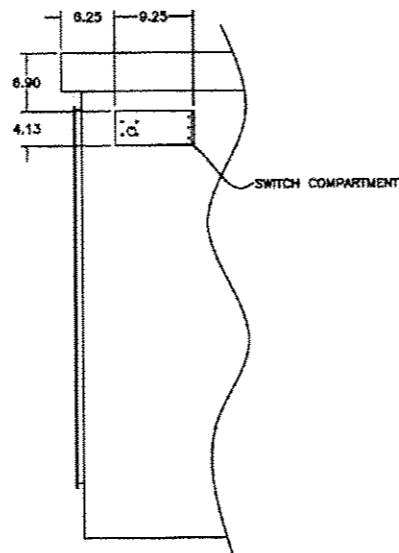
SECTION A-A  
DOORS REMOVED FOR CLARITY



FRONT VIEW  
LESS DOOR



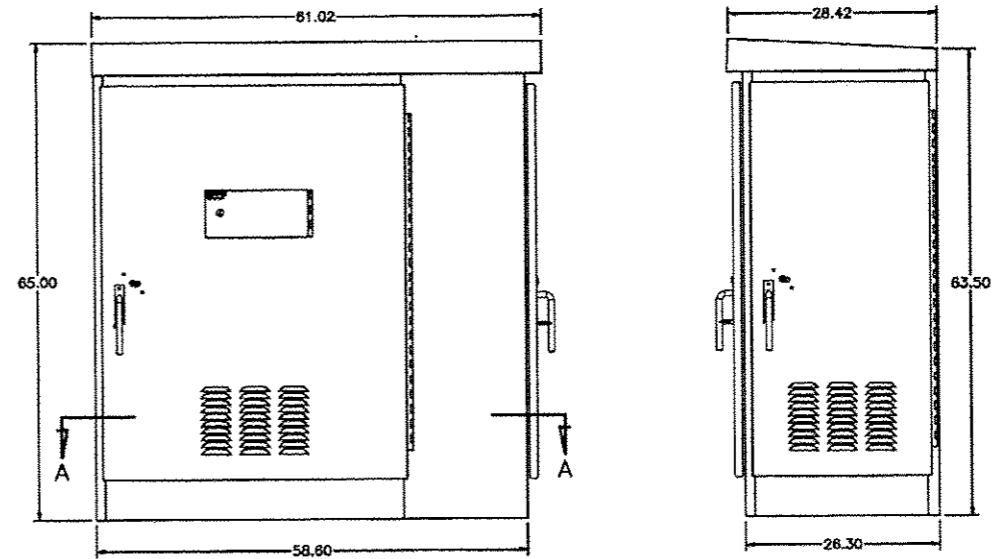
SIDE VIEW  
LESS DOOR



REAR VIEW  
PARTIAL

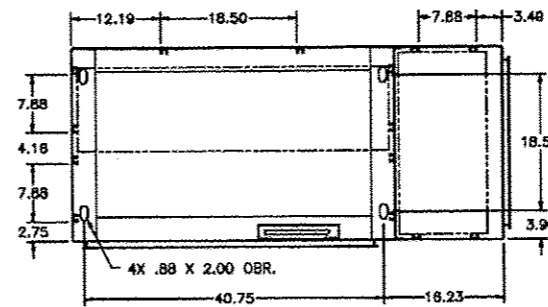
**SUPER P TRAFFIC SIGNAL CABINET, TYPE IV, SPECIAL**

58.6" W x 57.4" H x 26.3" D  
(DIMENSIONS SHOWN IN INCHES)

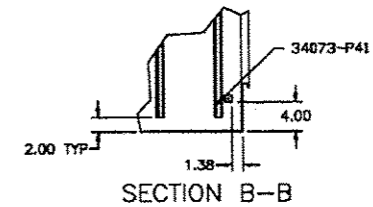


FRONT VIEW

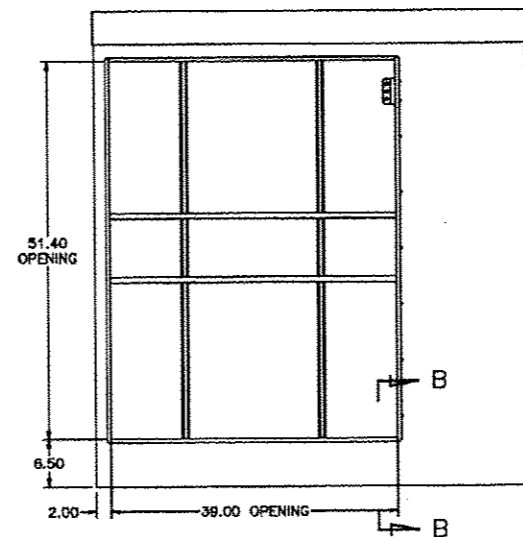
SIDE VIEW



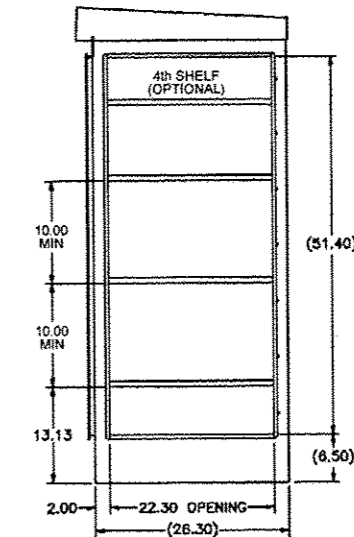
DOORS REMOVED FOR CLARITY  
SECTION A-A



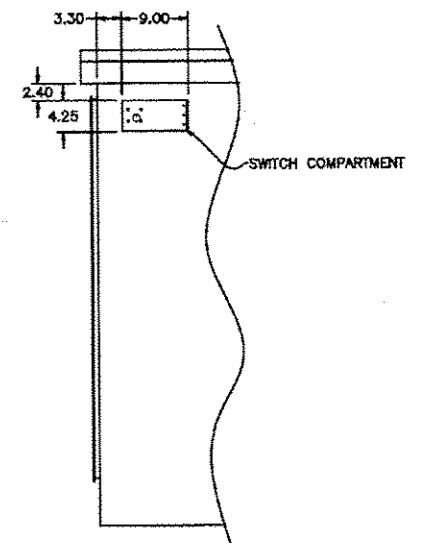
SECTION B-B



FRONT VIEW  
LESS DOOR



SIDE VIEW  
LESS DOOR



REAR VIEW  
PARTIAL

**SUPER R TRAFFIC SIGNAL CABINET, TYPE V, SPECIAL**

58.6" W x 65.0" H x 26.3" D  
(DIMENSIONS SHOWN IN INCHES)

FILE NAME -	USER NAME - #USER#	DESIGNED <i>MJM</i>	REVISED -
#FILE#		DRAWN <i>KES</i>	REVISED -
		CHECKED <i>JCM</i>	REVISED -
		DATE <i>10/15/2012</i>	REVISED -

**STATE OF ILLINOIS  
DEPARTMENT OF TRANSPORTATION**

**TRAFFIC SIGNAL CABINET DETAILS  
ILLINOIS ROUTE 59**

SCALE: SHEET NO. 39 OF 53 SHEETS STA. TO STA.

F.A.P. RTE.	SECTION	COUNTY	TOTAL SHEETS	SHEET NO.
338	(112 & 113) WRS-5	DUPAGE	963	454
<b>TS-38a</b>			CONTRACT NO. 60131	
ILLINOIS FED. AID PROJECT				