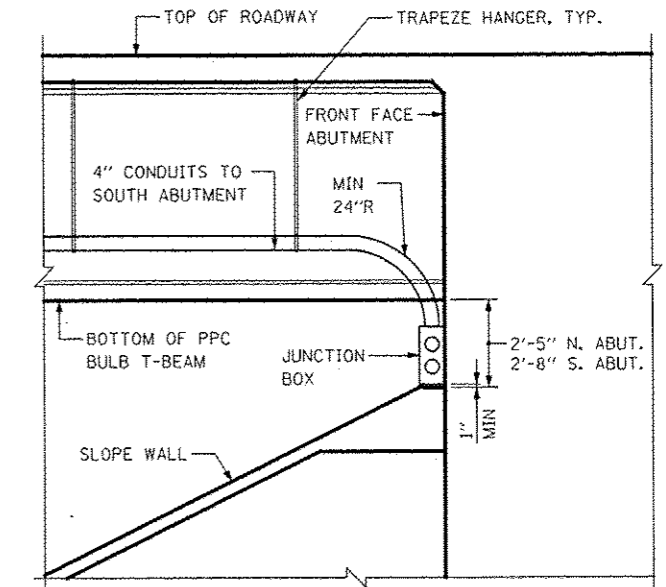
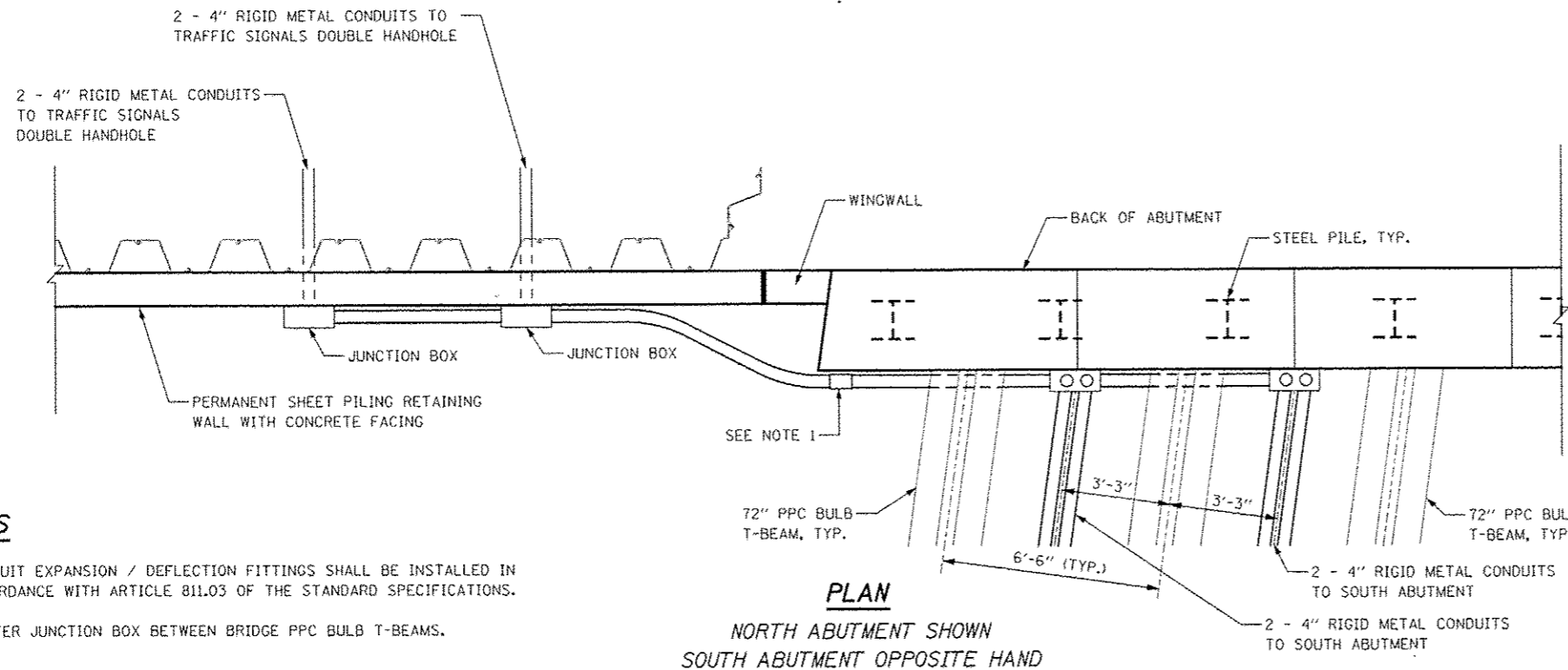


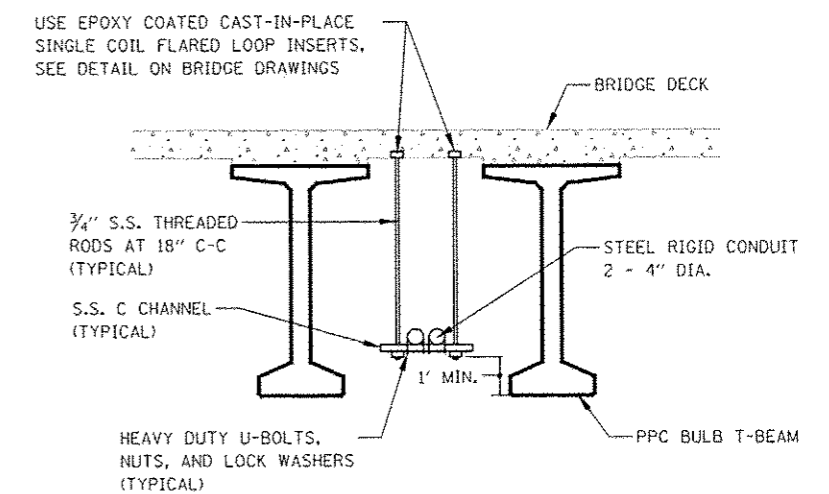
ELEVATION
(Looking North)
NORTH ABUTMENT SHOWN
SOUTH ABUTMENT OPPOSITE HAND



ELEVATION
(Looking West)
NORTH ABUTMENT SHOWN
SOUTH ABUTMENT OPPOSITE HAND



PLAN
NORTH ABUTMENT SHOWN
SOUTH ABUTMENT OPPOSITE HAND



TYPICAL CONDUIT SUPPORT
ATTACHED TO BRIDGE DECK DETAIL
NOT TO SCALE

NOTES

1. CONDUIT EXPANSION / DEFLECTION FITTINGS SHALL BE INSTALLED IN ACCORDANCE WITH ARTICLE 811.03 OF THE STANDARD SPECIFICATIONS.
2. CENTER JUNCTION BOX BETWEEN BRIDGE PPC BULB T-BEAMS.

| | | | | | | | | | | | |
|--------------|-------------------|-----------------|-----------|---|---|--|--------------|---------------------------|--------------------|--------------|----------------------------|
| FILE NAME = | USER NAME = RUSCH | DESIGNED MJM | REVISED - | STATE OF ILLINOIS DEPARTMENT OF TRANSPORTATION | TRAFFIC SIGNALS CONDUIT ATTACHMENT TO STRUCTURE DETAIL | | F.A.P. RTE. | SECTION | COUNTY | TOTAL SHEETS | SHEET NO. |
| FILE # | | DRAWN KES | REVISED - | | | | 338 | (112 & 113) WRS-5 | DUPAGE | 963 | 456 |
| PLOT SCALE = | ESCALER | CHECKED JCM | REVISED - | | | | TS-40 | | CONTRACT NO. 60131 | | ILLINOISIFIED, AID PROJECT |
| PLOT DATE = | EDATE | DATE 10/15/2012 | REVISED - | | | | SCALE: NONE | SHEET NO. 41 OF 53 SHEETS | STA. | TO STA. | |