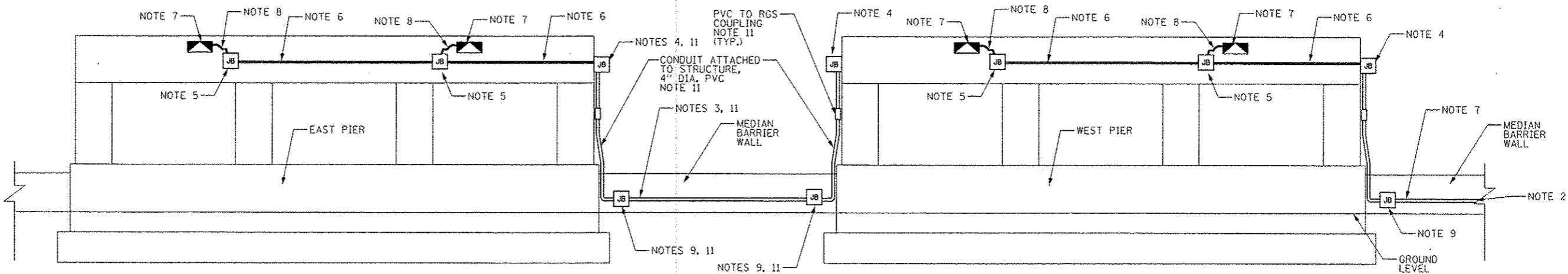


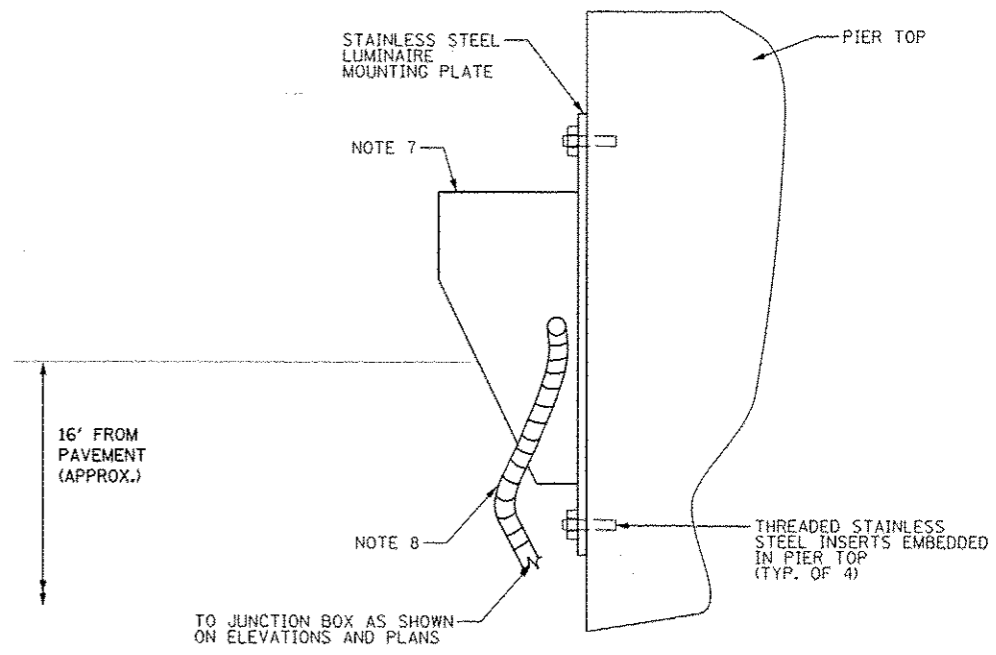
PIER ELEVATION LOOKING NORTH
NOT TO SCALE



PIER ELEVATION LOOKING SOUTH
NOT TO SCALE

NOTES:

1. ELECTRIC CABLE, (4) 1/C NO. 2 AND 1/C NO. 4 GROUND, 600V (XLP-TYPE USE) IN CONDUIT ATTACHED TO STRUCTURE, 2" DIA, PVC COATED GALVANIZED STEEL.
2. EXTEND EXISTING CONDUIT IN EXISTING BARRIER WALL TO REMAIN WITH NEW CONDUIT IN RECONSTRUCTED BARRIER WALL AND PULL NEW WIRING FROM EXISTING LIGHT POLE WEST OF PIER TO THE JUNCTION BOX EMBEDDED IN THE BARRIER WALL.
3. UNIT DUCT, WITH 4-1/C NO. 2 AND 1/C NO.4 GROUND, 600V (XLP-TYPE USE), 2" DIA. CNC IN CONDUIT EMBEDDED IN STRUCTURE, 4" DIA, PVC.
4. JUNCTION BOX, STAINLESS STEEL, ATTACHED TO STRUCTURE, 12"x10"x6".
5. JUNCTION BOX, STAINLESS STEEL, ATTACHED TO STRUCTURE, 6"x6"x4".
6. ELECTRIC CABLE, (5) 1/C NO. 10, 600V (XLP-TYPE USE) IN CONDUIT ATTACHED TO STRUCTURE, 3/4" DIA, PVC COATED GALVANIZED STEEL.
7. UNDERPASS LUMINAIRE, 150W, HIGH PRESSURE SODIUM VAPOR
8. ELECTRIC CABLE, 600V (XLP-TYPE USE) (3)1/C NO. 10 IN , 3/4" LIQUIDTIGHT FLEXIBLE METALLIC CONDUIT
9. JUNCTION BOX, STAINLESS STEEL, EMBEDDED IN STRUCTURE, 20"x12"x8"
10. LIQUID TIGHT FLEXIBLE METALLIC CONDUIT WITH WIRING, PLATE, NUTS, INSERTS AND ALL OTHER APPURTENANCES SHALL BE INCLUDED IN THE UNSERPASS LUMINAIRE PAY ITEM. NO ADDITIONAL PAYMENT WILL BE ALLOWED.
11. CONDUITS, WIRING, JUNCTION BOXES AND COUPLINGS BETWEEN PIERS ARE SHOWN ON BOTH ELEVATIONS. ONLY ONE ITEM IS REQUIRED TO BE INSTALLED.



TYPICAL UNDERPASS LUMINAIRE INSTALLATION DETAIL
(NOTE 10)
NOT TO SCALE