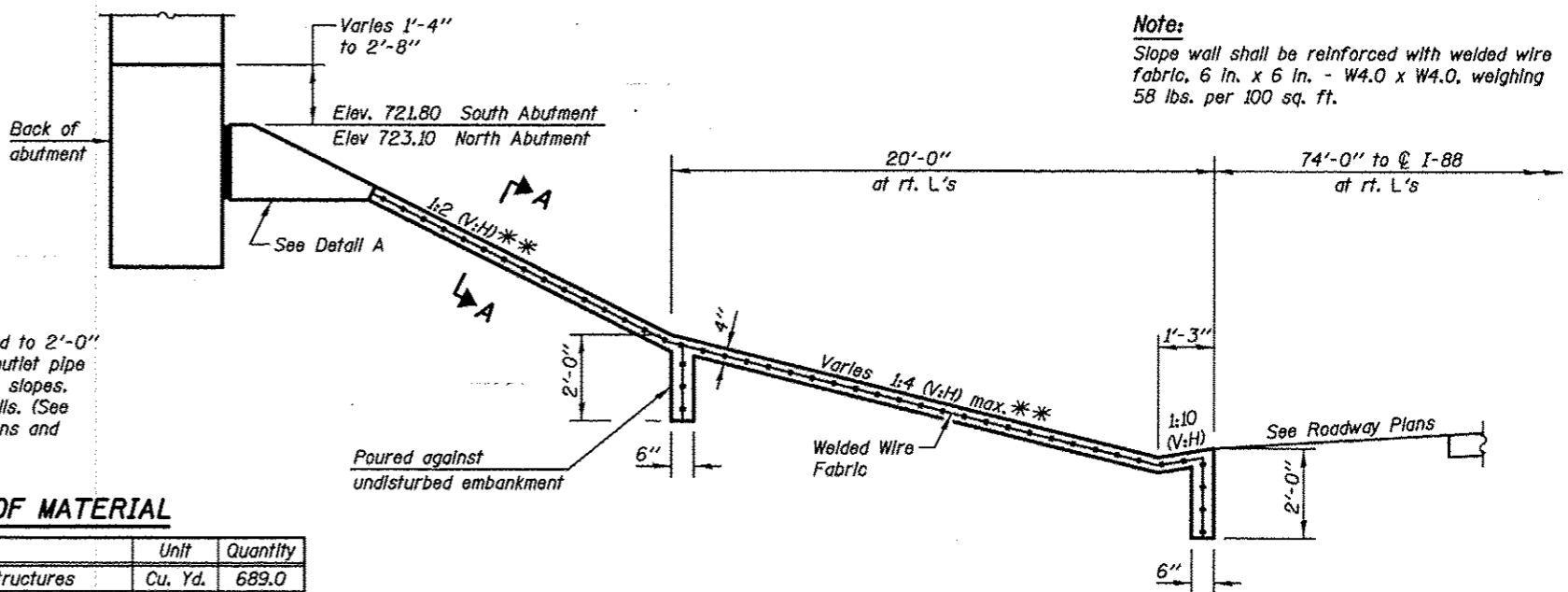


SECTION THRU INTEGRAL ABUTMENT
(Horiz. dim. @ Rt. L's)

*Included in the cost of Pipe Underdrains for Structures.

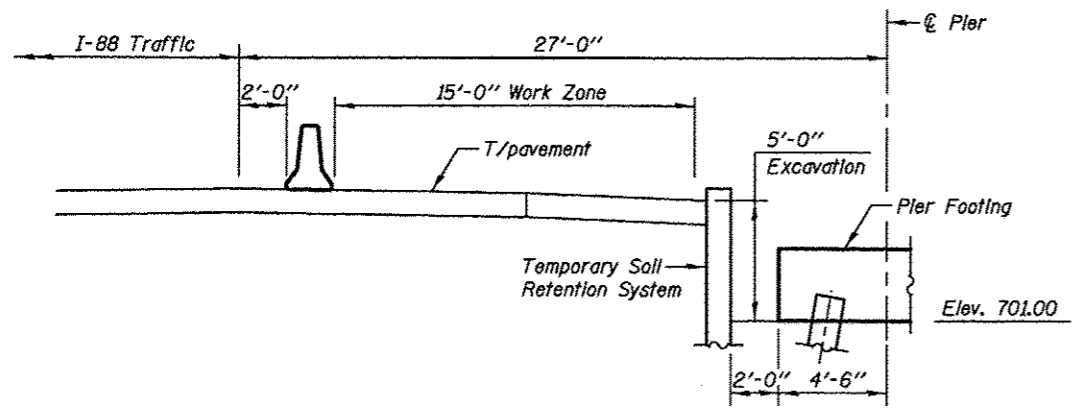


SECTION THRU CONCRETE SLOPE WALL
**at Rt. L's

Notes:
All drainage system components shall extend to 2'-0" from the end of each wingwall except an outlet pipe shall extend until intersecting with the side slopes. The pipes shall drain into concrete headwalls. (See Article 601.05 of the Standard Specifications and Highway Standard 601101).

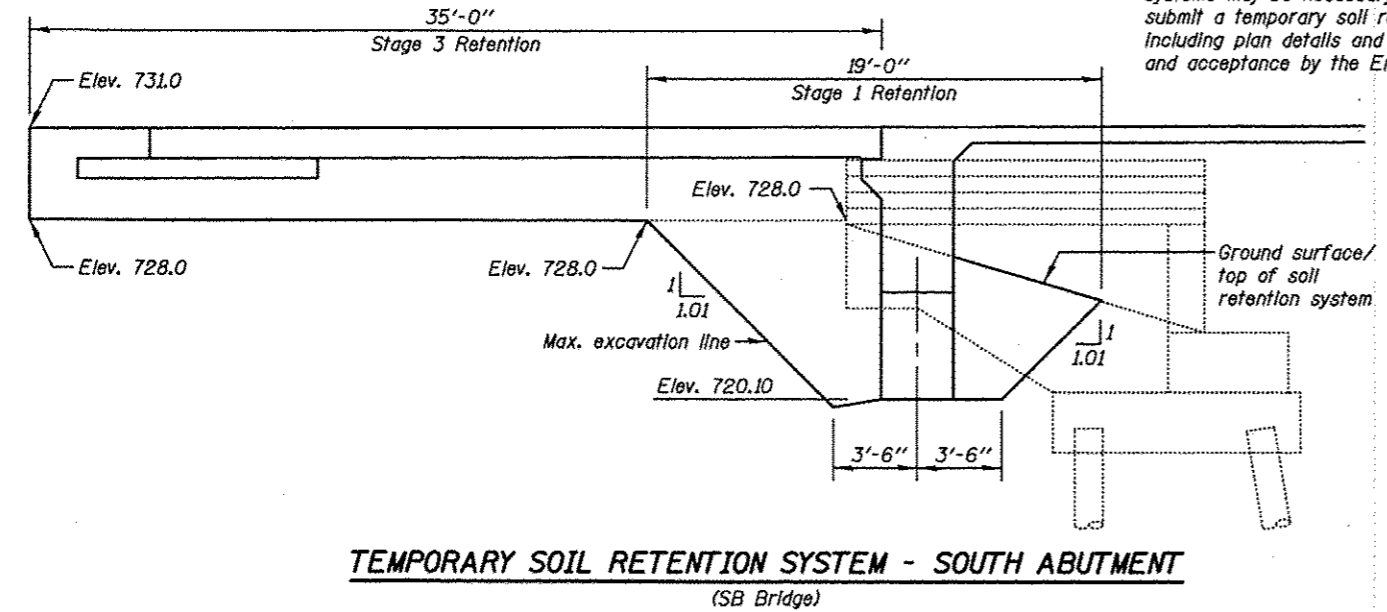
BILL OF MATERIAL

Item	Unit	Quantity
Granular Backfill for Structures	Cu. Yd.	689.0
Pipe Underdrains for Structures 4"	Foot	284.0
Geocomposite Wall Drain	Sq. Yd.	315.0
Slope Wall 4 Inch	Sq. Yd.	1747.0
Temporary Soil Retention System	Sq. Ft.	1845.0

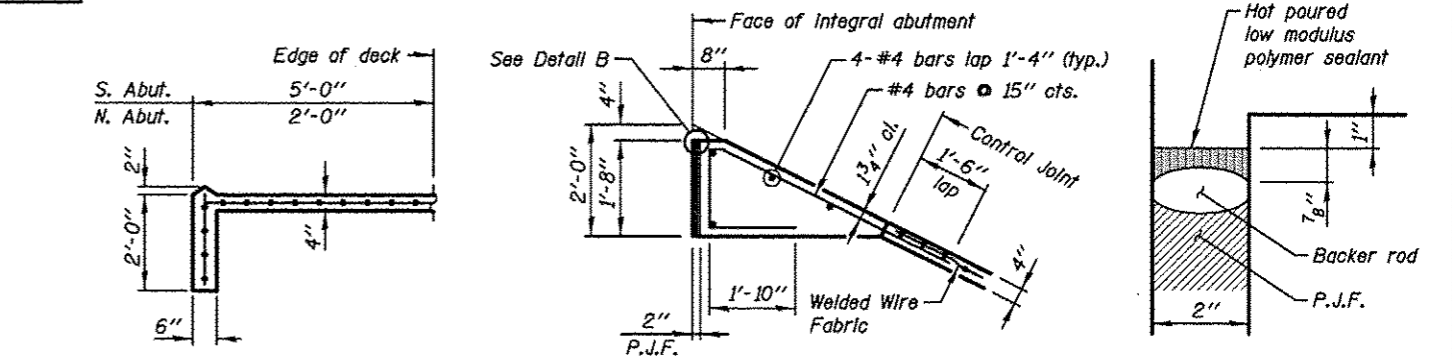


TEMPORARY SOIL RETENTION SYSTEM - PIER DETAIL
(Symmetrical about C/Pier)

Note:
A cantilevered sheet piling design does not appear feasible and additional members or other retention systems may be necessary. The Contractor shall submit a temporary soil retention system design including plan details and calculations for review and acceptance by the Engineer.



TEMPORARY SOIL RETENTION SYSTEM - SOUTH ABUTMENT
(SB Bridge)



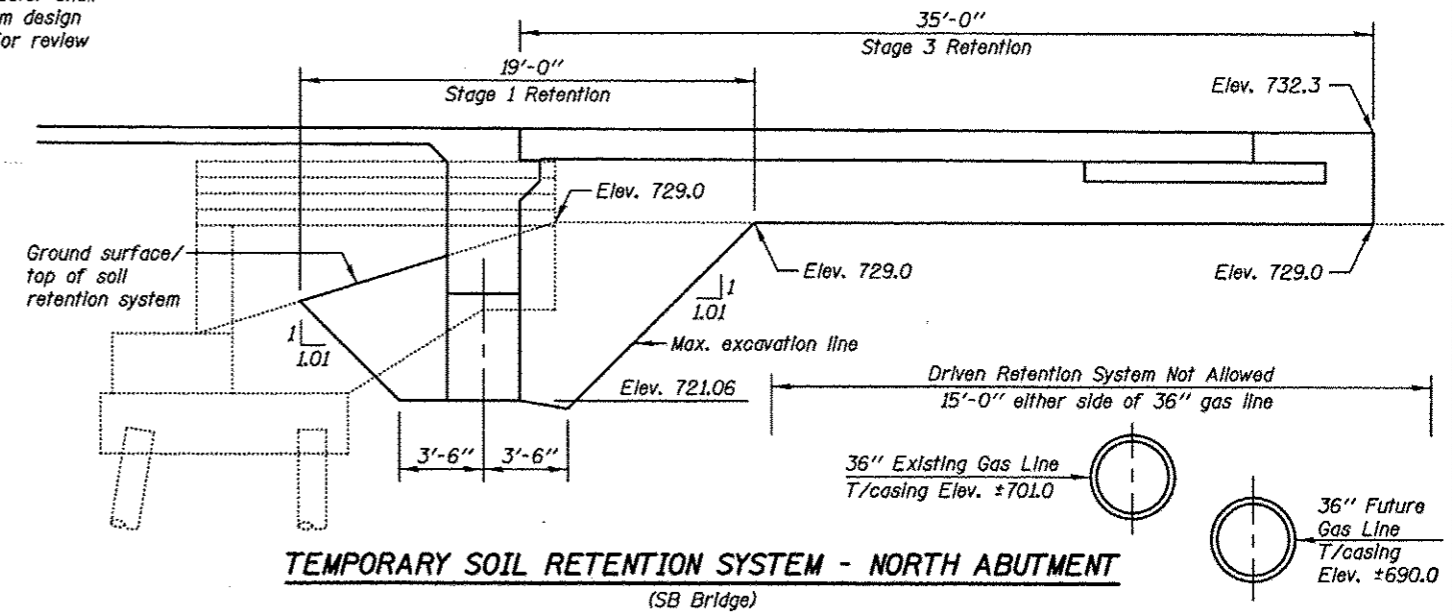
SECTION A-A

DETAIL A

DETAIL B

Cost of #4 reinforcement bars included in the cost of Slope Wall 4 Inch.

Note:
Sealant, backer rod and P.J.F. shall meet the requirements of Sections 1050 and 1051 of the Standard Specifications.



TEMPORARY SOIL RETENTION SYSTEM - NORTH ABUTMENT
(SB Bridge)

KNIGHT
Engineers & Architects

SCALE NONE
DATE 10/15/2012

DESIGNED WPM
CHECKED TB
DRAWN TB
CHECKED WPM

REVISED
REVISED
REVISED
REVISED

STATE OF ILLINOIS
DEPARTMENT OF TRANSPORTATION

SLOPEWALL AND TEMPORARY SOIL RETENTION SYSTEM
S.N. 022-2029 (SB) TOLLWAY B.N. 826
S.N. 022-2030 (NB) TOLLWAY B.N. 825
SHEET NO. SA-03 OF 63 SHEETS

F.A.P. RTE.	SECTION	COUNTY	TOTAL SHEETS	SHEET NO.
338	(112 & 113) WRS-5	DUPAGE	963	587
CONTRACT NO. 60131			ILLINOIS FED. AID PROJECT	