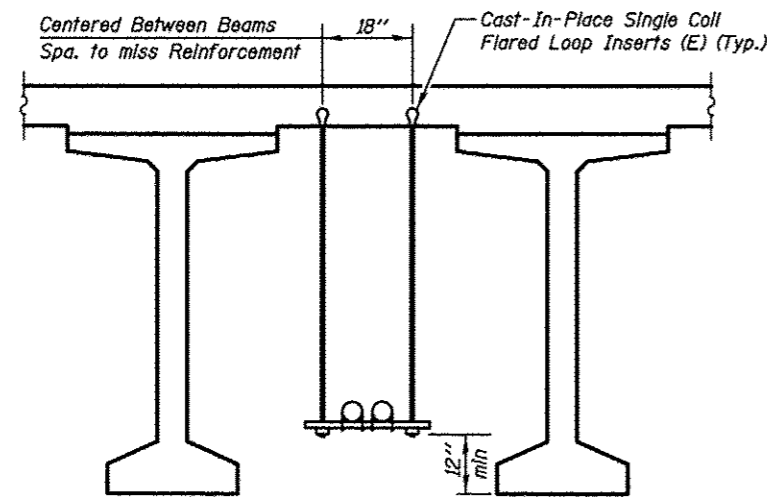
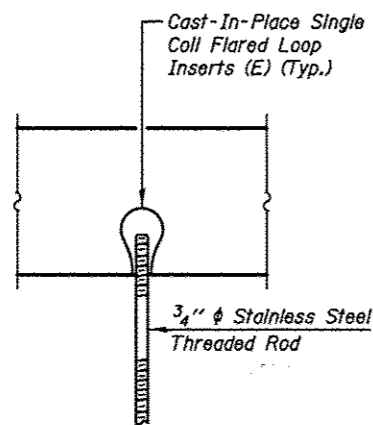


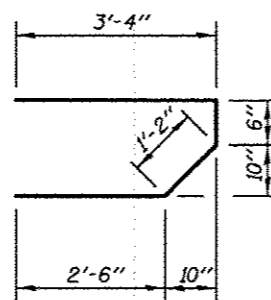
NOTE A
 Coordinate single coil flared loop inserts with Electrical Contractor. Cost shall be included with Concrete Superstructure.



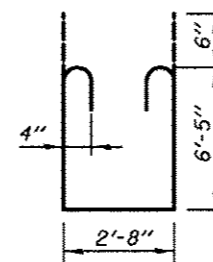
CONDUIT SUPPORT DETAIL



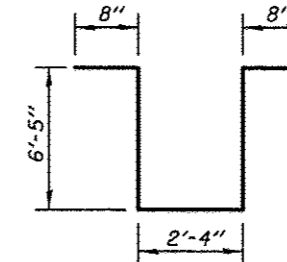
THREADED COIL LOOP INSERTS DETAIL



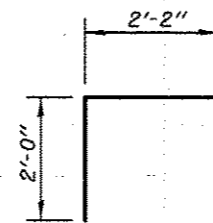
BAR s1000(E)



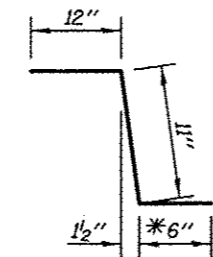
BAR s1001(E)



BAR s1002(E)

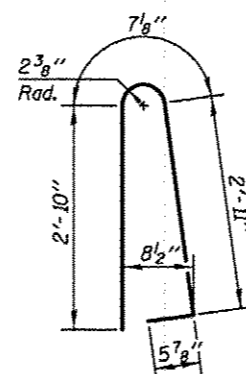


BAR v1000(E)

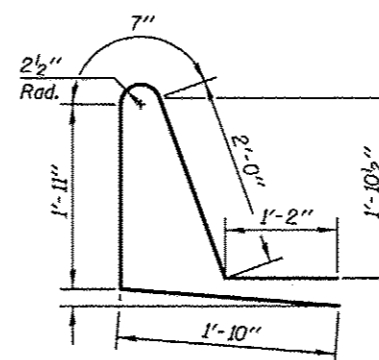


BAR c1000(E)

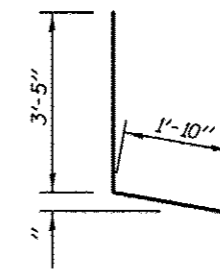
*In lieu of bottom leg, c1000(E) bars may be cored and set according to Article 509.06 of the Standard Specifications. Cored holes shall be roughened or scored per manufacturer's recommendations. Maximum depth of cored hole shall not exceed 6".



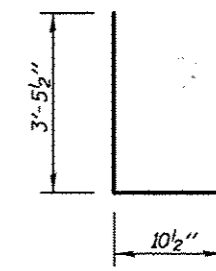
BAR d1000(E)



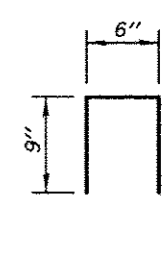
BAR d1001(E)



BAR d1002(E)



BAR d1003(E)



BAR d1004(E)

BILL OF MATERIAL

BAR	NO.	SIZE	LENGTH	SHAPE
a1000(E)	436	#5	34'-0"	—
a1001(E)	436	#5	22'-0"	—
a1002(E)	305	#5	31'-6"	—
a1003(E)	305	#5	25'-0"	—
a1004(E)	433	#6	6'-6"	—
a1005(E)	24	#5	1'-6"	—
b1000(E)	392	#6	39'-6"	—
b1001(E)	318	#8	27'-3"	—
b1002(E)	440	#6	35'-0"	—
b1003(E)	96	#6	25'-3"	—
b1004(E)	72	#5	31'-0"	—
c1000(E)	254	#5	2'-5"	┌
c1001(E)	254	#5	5'-8"	—
d1000(E)	276	#5	6'-10"	┌
d1001(E)	276	#5	7'-6"	┌
d1002(E)	254	#4	5'-3"	┌
d1003(E)	254	#6	4'-4"	┌
d1004(E)	64	#4	2'-0"	┌
e1000(E)	156	#4	15'-8"	—
e1001(E)	28	#4	14'-8"	—
e1002(E)	26	#4	15'-2"	—
e1003(E)	8	#8	32'-0"	—
e1004(E)	2	#8	14'-8"	—
e1005(E)	8	#4	29'-9"	—
m1000(E)	24	#6	28'-9"	—
m1001(E)	48	#6	10'-3"	—
m1002(E)	28	#6	4'-1"	—
m1003(E)	4	#6	2'-7"	—
m1004(E)	56	#4	5'-9"	—
m1005(E)	8	#8	6'-2"	—
s1000(E)	110	#5	7'-6"	┌
s1001(E)	68	#4	16'-6"	┌
s1002(E)	28	#4	16'-6"	┌
v1000(E)	108	#5	4'-2"	┌
Reinforcement Bars, Epoxy Coated		LB	139890	
Concrete Superstructure		Cu. Yd.	593.0	
Bridge Deck Grooving		Sq. Yd.	1237.0	
Protective Coat		Sq. Yd.	1666.0	