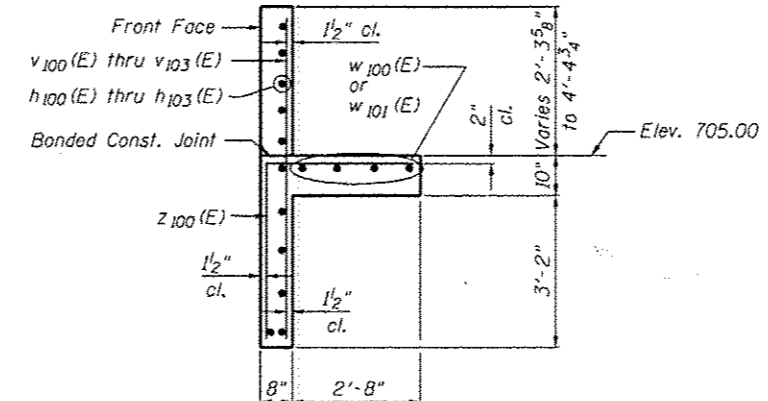


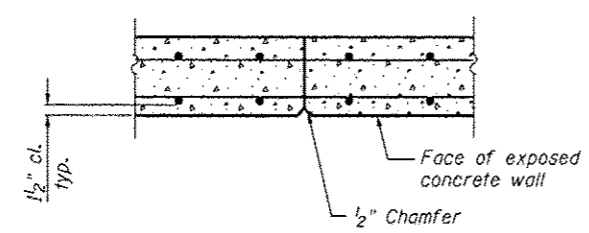
TYPICAL SECTION
Sta. 812+47.39 to Sta. 813+40.32



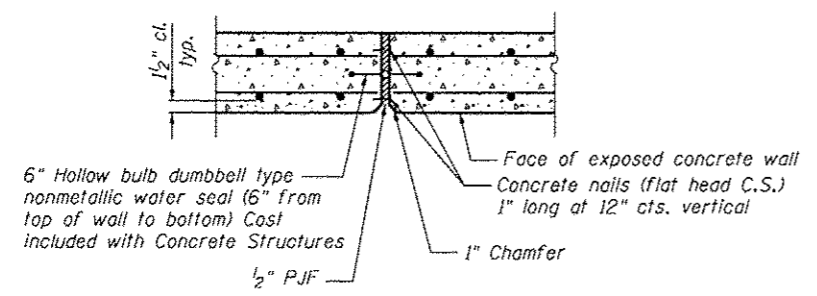
SECTION A-A
Maximum Soil Bearing Pressure = 1,800 psf

BILL OF MATERIAL

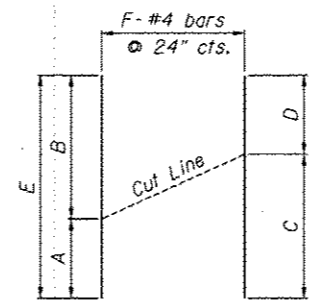
Bar	No.	Size	Length	Shape
h 100 (E)	11	#4	23'-10"	—
h 101 (E)	11	#4	23'-6"	—
h 102 (E)	22	#4	26'-9"	—
v 100 (E)	11	#4	14'-3"	—
v 101 (E)	12	#4	15'-5"	—
v 102 (E)	12	#4	14'-0"	—
v 103 (E)	12	#4	12'-7"	—
w 100 (E)	4	#4	24'-6"	—
w 101 (E)	12	#4	26'-2"	—
z 100 (E)	94	#4	6'-9"	└
Item		Unit	Quantity	
Concrete Structures		Cu. Yd.	24.4	
Reinforcement Bars, Epoxy Coated		Pound	1,880	
Granular Backfill for Structures		Cu. Yd.	31	



CONSTRUCTION JOINT DETAIL

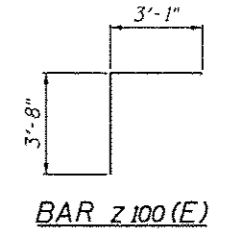


EXPANSION JOINT DETAIL



CUTTING DIAGRAM

Bar	A	B	C	D	E	F
v 100 (E)	6'-2"	8'-1"	7'-1"	7'-2"	14'-3"	11
v 101 (E)	8'-1"	7'-4"	7'-9"	7'-8"	15'-5"	12
v 102 (E)	7'-4"	6'-8"	7'-0"	7'-0"	14'-0"	12
v 103 (E)	6'-8"	5'-11"	6'-4"	6'-3"	12'-7"	12



BAR z 100 (E)

WALL SECTION AND DETAILS
SN 022-W063

FILE NAME: ...ASB011-0063-003-001.dgn



Zroka Engineering, P.C.
4216 North Hermitage
Chicago, IL 60613

USER NAME = SAW	DESIGNED - LAS	REVISIONS -
PLOT SCALE = 4,800' / IN.	CHECKED - DAZ	REVISIONS -
PLOT DATE = 10/9/2012	DRAWN - SAW	REVISIONS -
	CHECKED - JLA	REVISIONS -

STATE OF ILLINOIS
DEPARTMENT OF TRANSPORTATION

WALL SECTION AND DETAILS
STRUCTURE NUMBER 022-W063

SHEET NO. SB-3 OF SB-4 SHEETS

F.A.P. RTE.	SECTION	COUNTY	TOTAL SHEETS	SHEET NO.
338/IL 59	(112 & 113) WRS-5	DUPAGE	963	650
CONTRACT NO. 60131			ILLINOIS FED. AID PROJECT	