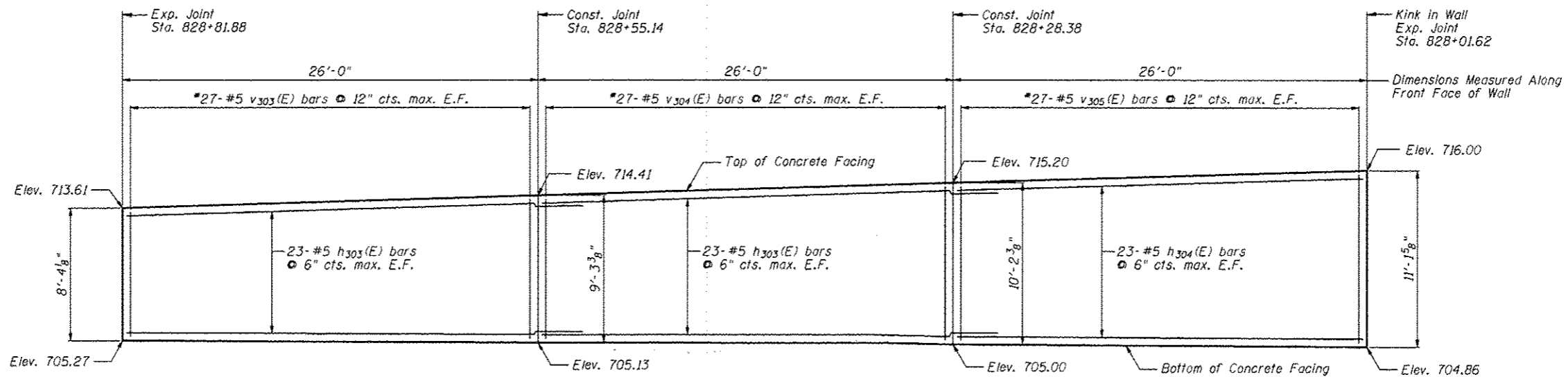


ELEVATION



ELEVATION

Notes:

Minimum lap for #5 bar is 3'-8".

Space reinforcement in wall to miss shear studs.

\* signifies cut bar. Order per length on Bill of Material. Cut as shown in Cutting Diagram and use half of bars in each face.

See Sheet SD-8 for Concrete Facing Details and Bill of Material.



USER NAME = SAW	DESIGNED - LAS	REVISED 12/17/2012 L.A.S.
PLOT SCALE = 8.0000' / IN.	CHECKED - DAZ	REVISED
PLOT DATE = 12/12/2012	DRAWN - SAW	REVISED
	CHECKED - JLA	REVISED

STATE OF ILLINOIS  
DEPARTMENT OF TRANSPORTATION

CONCRETE FACING 1  
STRUCTURE NUMBER 022-W065

SHEET NO. SD-6 OF SD-11 SHEETS

F.A.P. RTE.	SECTION	COUNTY	TOTAL SHEETS	SHEET NO.
338/IL 59	(112 & 113) WRS-5	DUPAGE	963	667
CONTRACT NO. 60131			ILLINOIS FED. AID PROJECT	

FILE NAME = ...68131-W065-006-ConcFacing1.dgn