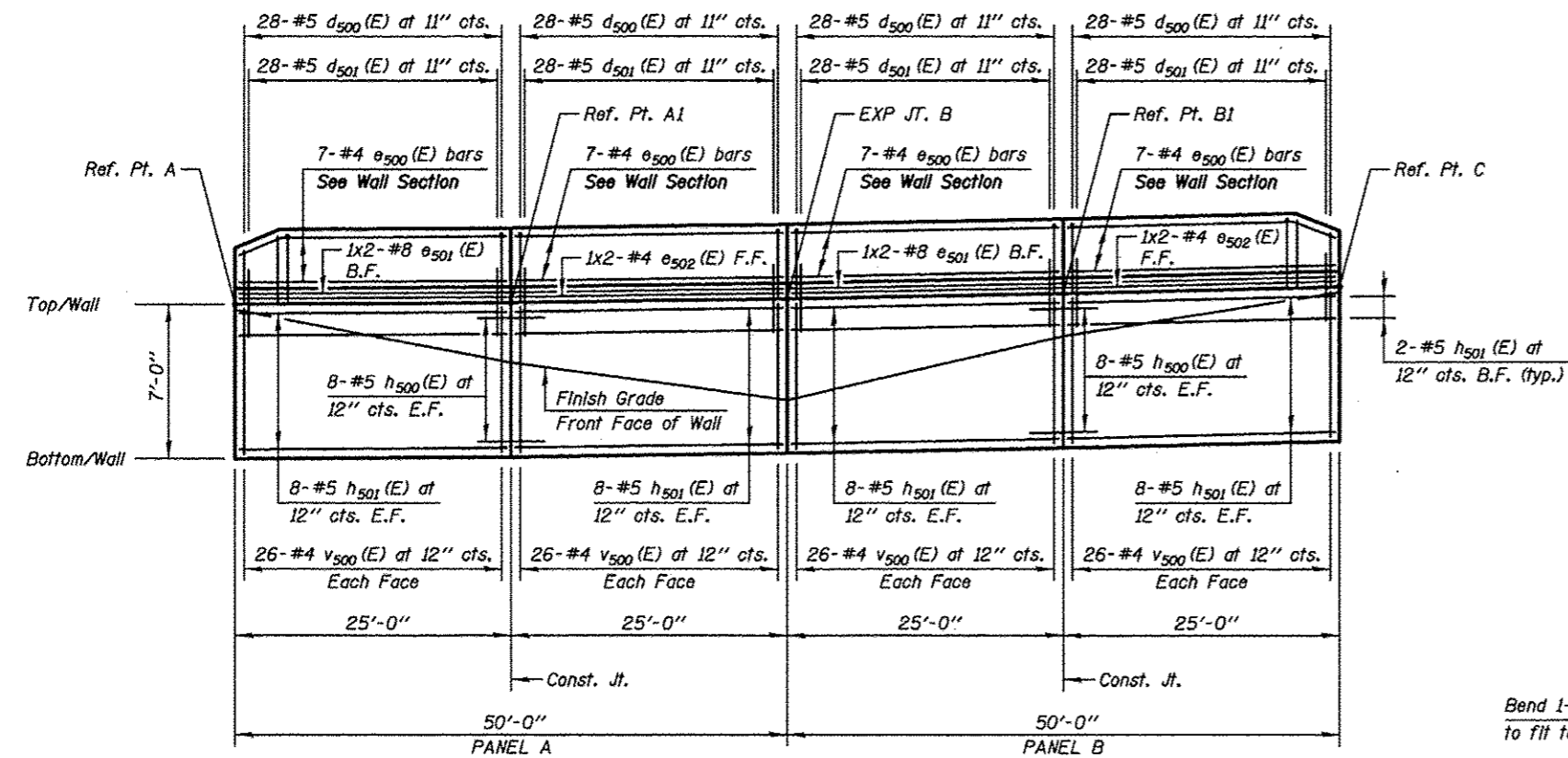
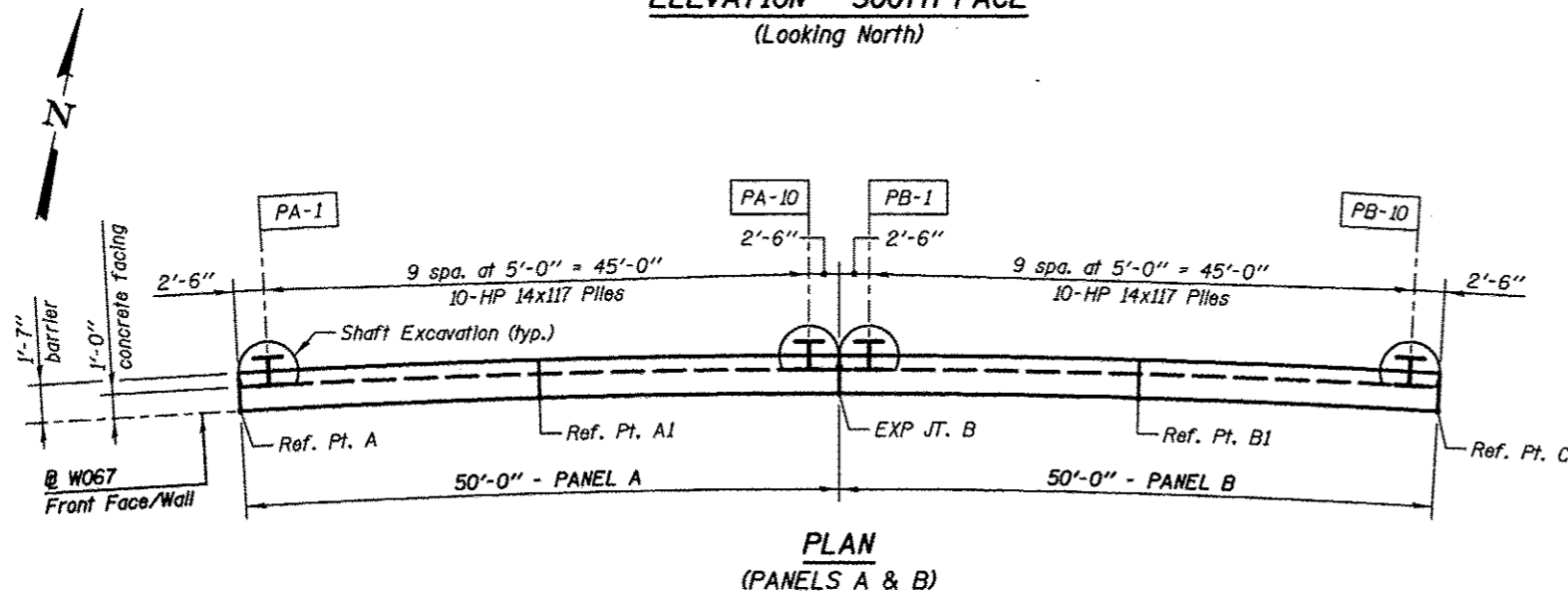


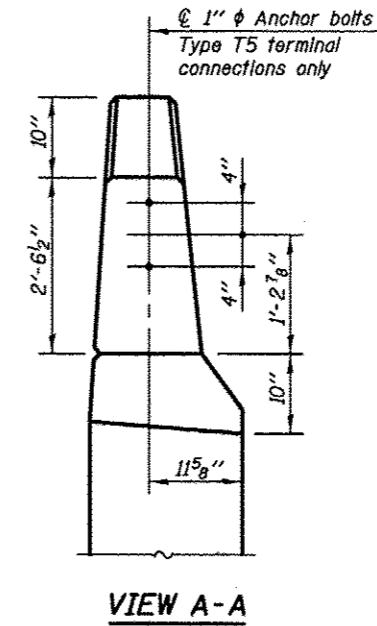
Notes:  
For Top/Wall Elevations, Bottom/Wall Elevations & Wall Height SEE TABLE.



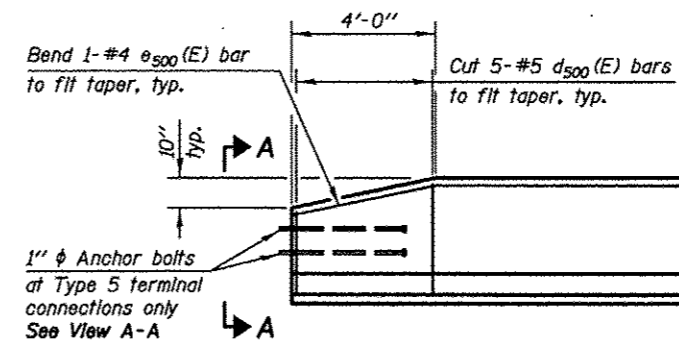
**ELEVATION - SOUTH FACE**  
(Looking North)



**PLAN**  
(PANELS A & B)



**VIEW A-A**



**INSIDE ELEVATION - PARAPET END**

Dimensions along inside face of parapet west end shown, east end opposite hand

**PILE DATA**

Pile No.	Top Elev.	Bottom Elev.	Length Ft.	No of Studs
PA-1	701.73	673.73	28.00	10
PA-2	701.74	673.74	28.00	10
PA-3	701.76	673.76	28.00	10
PA-4	701.78	673.78	28.00	10
PA-5	701.79	673.79	28.00	10
PA-6	701.82	673.82	28.00	10
PA-7	701.85	673.85	28.00	10
PA-8	701.89	673.89	28.00	10
PA-9	701.92	673.92	28.00	10
PA-10	701.95	673.95	28.00	10
PB-1	702.00	674.00	28.00	10
PB-2	702.05	674.05	28.00	10
PB-3	702.10	674.10	28.00	10
PB-4	702.15	674.15	28.00	10
PB-5	702.20	674.20	28.00	10
PB-6	702.25	674.25	28.00	10
PB-7	702.31	674.31	28.00	10
PB-8	702.37	674.37	28.00	10
PB-9	702.43	674.43	28.00	10
PB-10	702.49	674.49	28.00	10

**SHAFT SIZES**

Pile Size	Shaft Excavation Size
HP14	2'-6"

**LEGEND**

E.F. Each Face  
F.F. Front Face  
B.F. Back Face

**Min Bar Laps**

#5 Bars = 2'-5" (Horiz. Top Bars)  
#4 Bars = 2'-1"  
#8 Bars = 5'-5"

**WALL JOINT LOCATIONS, HEIGHTS & ELEVATIONS**

Location Ref. Points	Station on @ W067	Wall Height	Top/Wall Elevation	Bottom/Wall Elevation	Finish Grade Elev.
Begin Wall - A	0+00.00	7'-0"	703.35	696.35	703.10
C.J. - A1	0+25.00	7'-0"	703.43	696.43	700.70
Exp. Jt. - B	0+50.00	7'-0"	703.60	696.60	699.00
C.J. - B1	0+75.00	7'-0"	703.85	696.85	701.90
End Wall - C	1+00.00	7'-0"	704.15	697.15	703.90

**Notes**

All Dimensions are along Front Face of Wall.

Bars Indicated thus 3 x 2-#4 etc. indicates 3 lines of bars with 2 lengths per line.

For Wall Section and Bill of Material, SEE Sheet SF-4

**KNIGHT**  
Engineers & Architects

SCALE NONE  
DATE 10/15/2012

DESIGNED - TB  
CHECKED - WPM  
DRAWN - TB  
CHECKED - WPM

REVISED  
REVISED  
REVISED  
REVISED

STATE OF ILLINOIS  
DEPARTMENT OF TRANSPORTATION

PLAN & ELEVATION - PANELS A & B  
STRUCTURE NUMBER 022-W067 TOLLWAY WALL EW123.5R,EB(R)

SHEET NO. SF-3 OF 5 SHEETS

F.A.P. RTE. 338 SECTION (112 & 113) WRS-5 COUNTY DUPAGE TOTAL SHEETS 963 SHEET NO. 686 CONTRACT NO. 60131 ILLINOIS FED. AID PROJECT