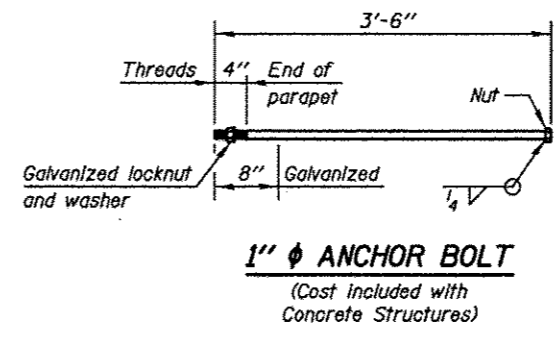
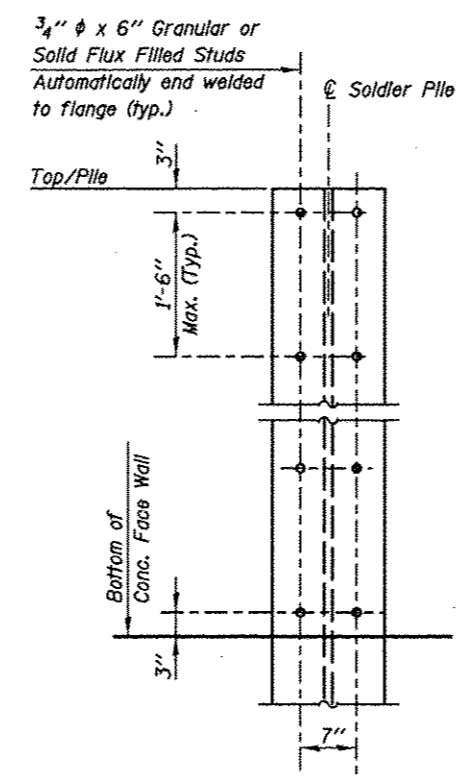
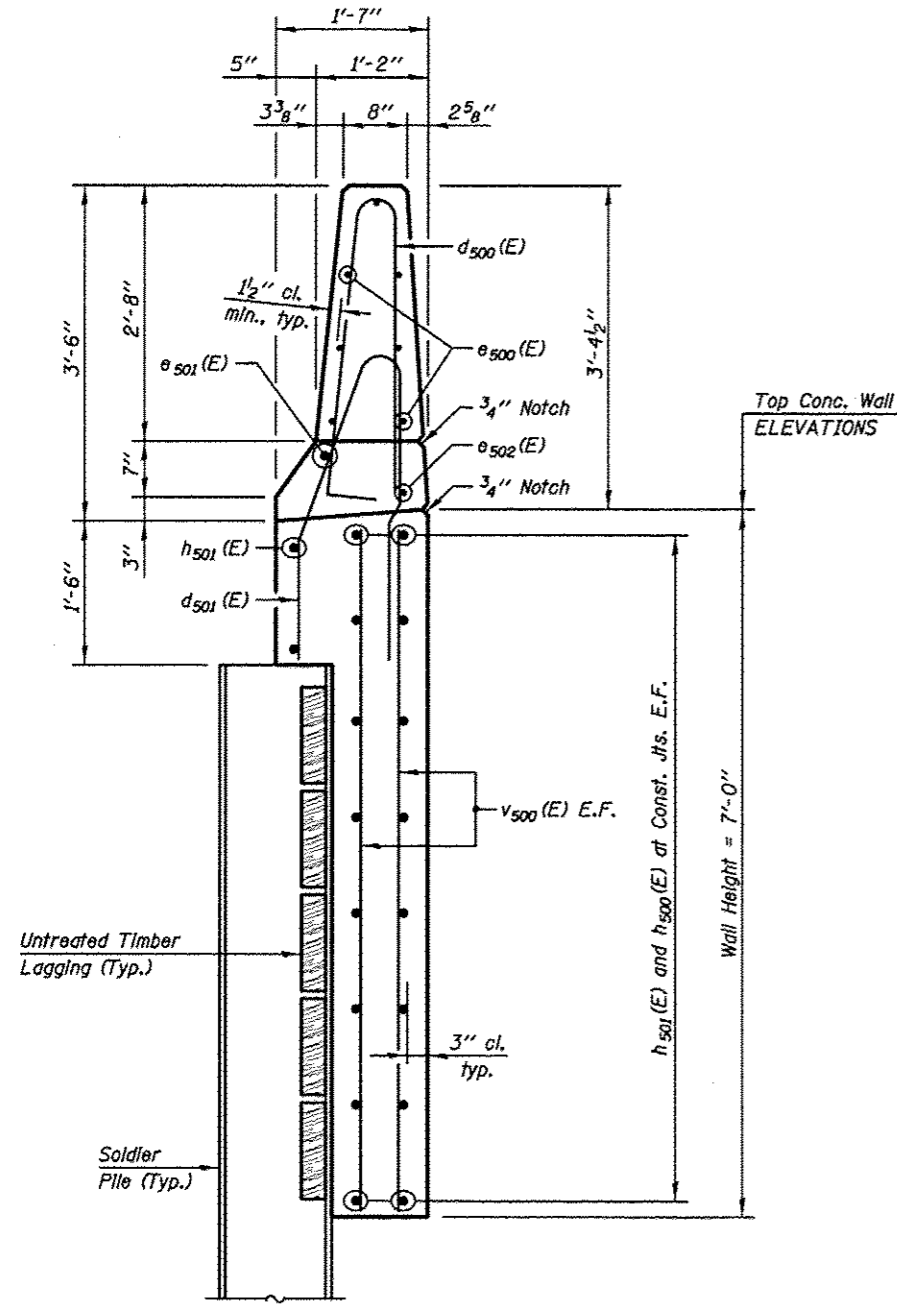
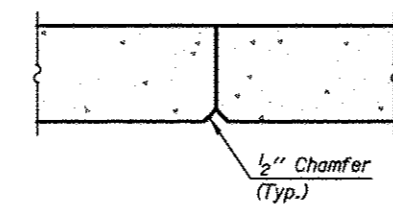
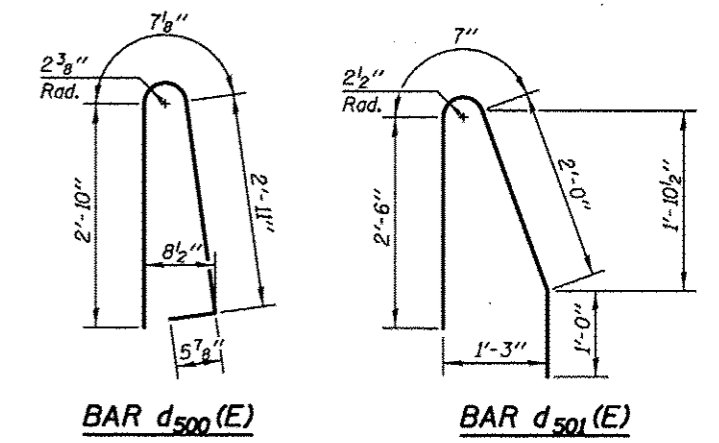


BILL OF MATERIAL

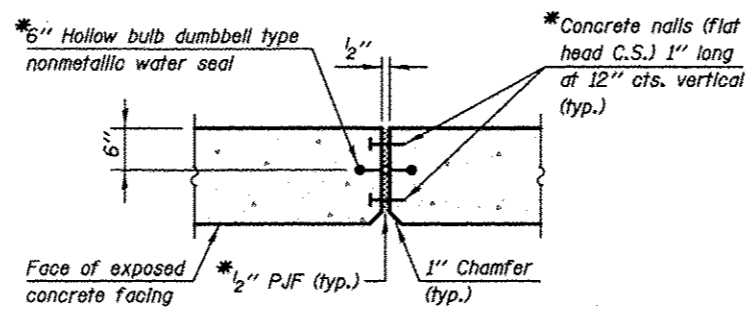
BAR	NO.	SIZE	LENGTH	SHAPE
d500(E)	112	#5	6'-10"	
d501(E)	112	#5	6'-1"	
e500(E)	28	#4	24'-8"	
e501(E)	4	#8	28'-6"	
e502(E)	4	#4	26'-6"	
h500(E)	32	#5	6'-0"	
h501(E)	72	#5	24'-8"	
v500(E)	208	#4	6'-8"	
Structure Excavation			Cu. Yd.	58.0
Concrete Structures			Cu. Yd.	46.0
Stud Shear Connectors			Each	200
Concrete Sealer			Sq. Ft.	1511.0
Reinforcement Bars, Epoxy Coated			Pound	5330
Drilling and Setting Solder Piles (In Soil)			Cu. Ft.	2842.0
Furnishing Solder Piles (HP14x117)			Foot	560.0



STUD SHEAR CONNECTORS LAYOUT

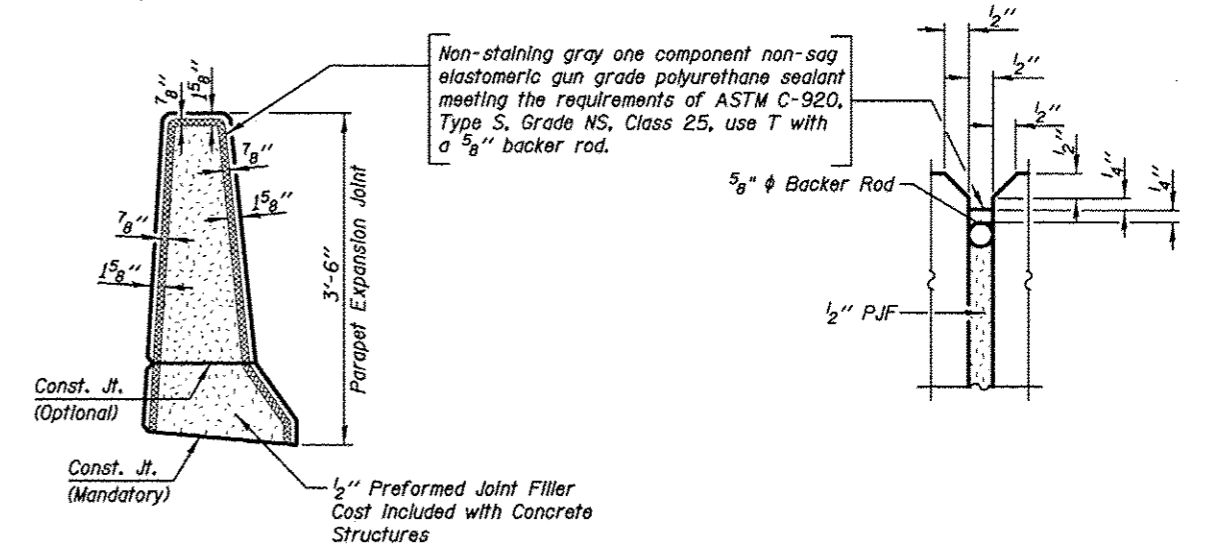


WALL CONSTRUCTION JOINT DETAIL



WALL EXPANSION JOINT DETAIL

* Cost Included with "Concrete Structures".



PARAPET JOINT DETAILS

LEGEND:
E.F. Each Face
P/JF Preformed Joint Filler