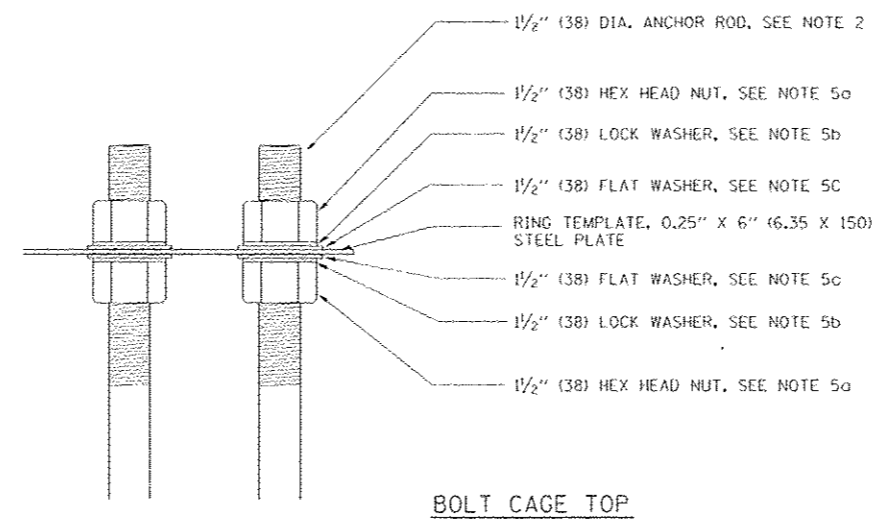
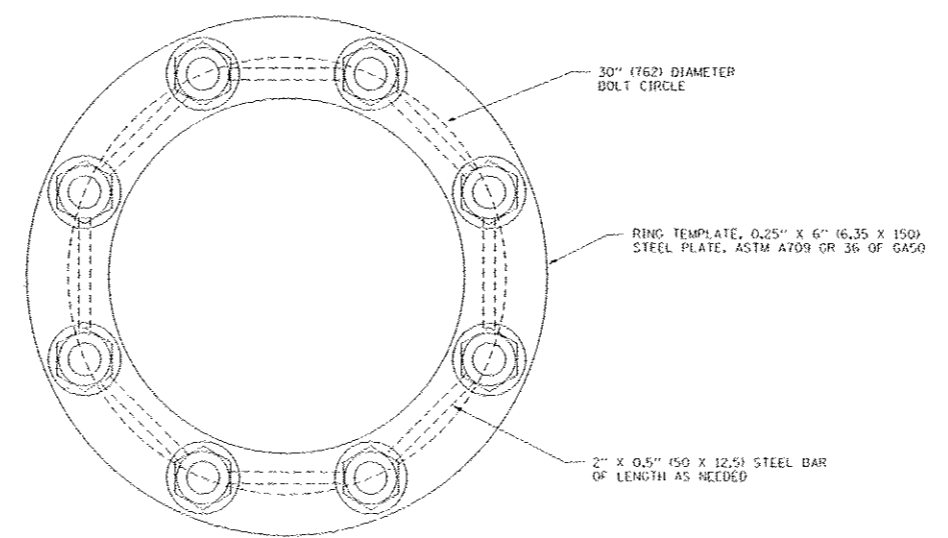


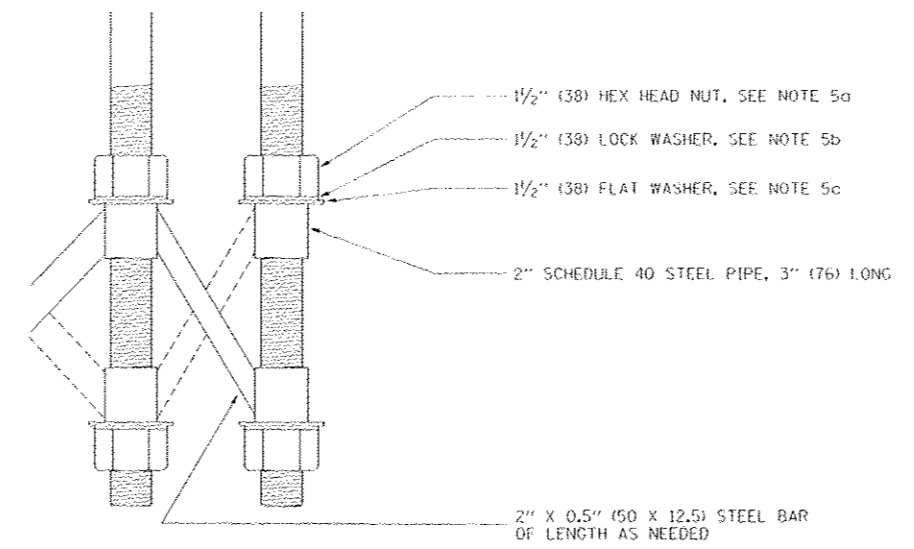
ANCHOR BOLT CAGE



BOLT CAGE TOP



SECTION A-A



BOLT CAGE BOTTOM

NOTES

1. ALL DIMENSIONS IN INCHES (MILLIMETERS) UNLESS OTHERWISE SHOWN
2. ANCHOR RODS SHALL BE STRAIGHT AND SHALL BE ACCORDING TO AASHTO M 314 OR ASTM F1554, GRADE 725 (GRADE 105) AND GALVANIZED ACCORDING TO ARTICLE 1006.09.
3. ANCHOR ROD INFORMATION SHALL BE SUBMITTED FOR APPROVAL AND SHALL BE FULLY COORDINATED WITH TOWER MANUFACTURERS REQUIREMENTS.
4. CUT NUTS, OR JAM NUTS, ARE NOT ALLOWED
5. ANCHOR ROD CAGE HARDWARE SHALL BE IN ACCORDANCE WITH THE FOLLOWING:
 - a) 1.5 (38) HEX HEAD NUTS
AASHTO M291, GRADE C, C3, D, DH OR DHS
HOT DIPPED GALVANIZED AASHTO M 232
 - b) 1.5 (38) HELICAL LOCK WASHERS
ANSI/ASME B18.21.1
I.D. 1.504 - 1.524
O.D. 2.159 MAX.
WIDTH 0.292 MIN.
THICKNESS 0.375 MIN.
HARDNESS 26-45 ROCKWELL C
HOT DIPPED GALVANIZED AASHTO M232
 - c) 1.5 (38) FLAT WASHERS
AASHTO M293
O.D. 2.75
I.D. 1.56
THICKNESS 0.16 - 0.25
HARDNESS 26-45 ROCKWELL C.
HOT DIPPED GALVANIZED AASHTO M232
6. THE SHAFT LENGTHS SHALL BE BASED ON SOIL BORINGS IN THE PLANS AND OR A DETERMINATION OF SOIL CONDITIONS BY THE ENGINEER.
7. ALL FOUNDATION REINFORCEMENT STEEL SHALL BE EPOXY COATED.
8. THE FOUNDATION SHALL BE POURED MONOLITHICALLY AND SHALL HAVE NO CONSTRUCTION JOINTS.

FILE NAME	USER NAME	DESIGNED	REVISED	STATE OF ILLINOIS DEPARTMENT OF TRANSPORTATION	HIGH MAST LIGHT TOWER			F.A. RTE.	SECTION	COUNTY	TOTAL SHEETS	SHEET NO.
		DRAWN	REVISED		90 FT TO 110 FT (27 m TO 34 m) FOUNDATION DETAIL			338	{112 & 113}WRS-5	DUPAGE	963	716
		CHECKED	REVISED		SCALE: NONE SHEET NO. 2 OF 2 SHEETS S.F.A. TO S.F.A.			BE-501				
		DATE	REVISED		CONTRACT NO. 60I31					FED. ROAD DIST. NO. 1 ILLINOIS FED. AID PROJECT		