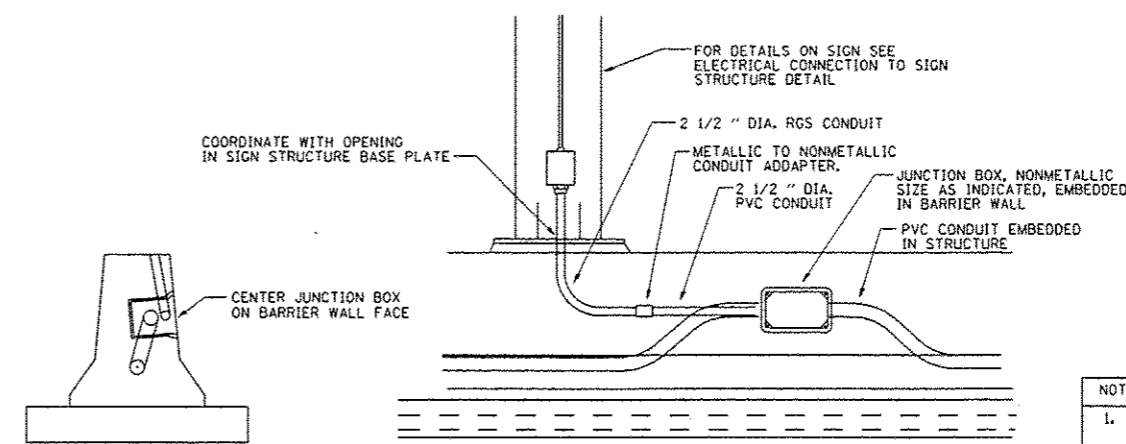


- NOTES
1. CONDUIT SHALL BE 4-INCH DIAMETER UNLESS OTHERWISE INDICATED IN THE PLANS.
  2. JUNCTION BOX SIZE  
SINGLE FACE WALL: 21" X 11" X 8"  
DOUBLE FACE WALL: 20" X 13" X 12"

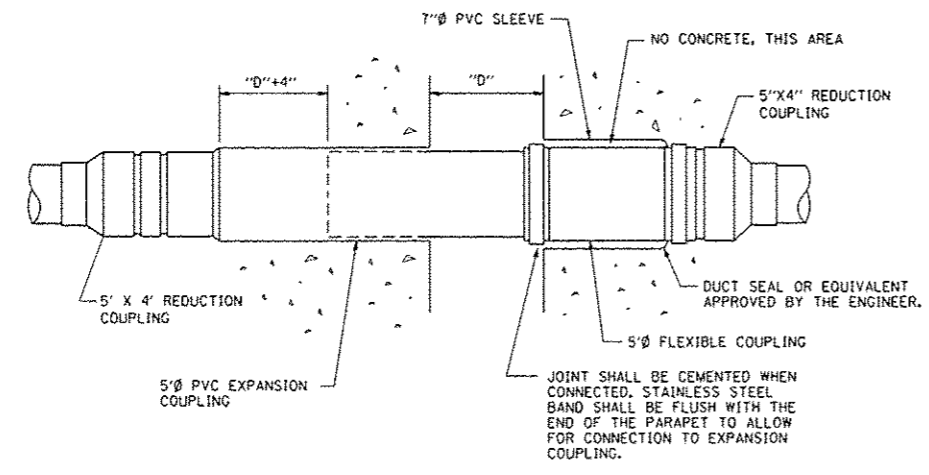
NOTE: FOR DETAILS ABOVE BARRIER WALL SEE UNDERPASS DETAILS.



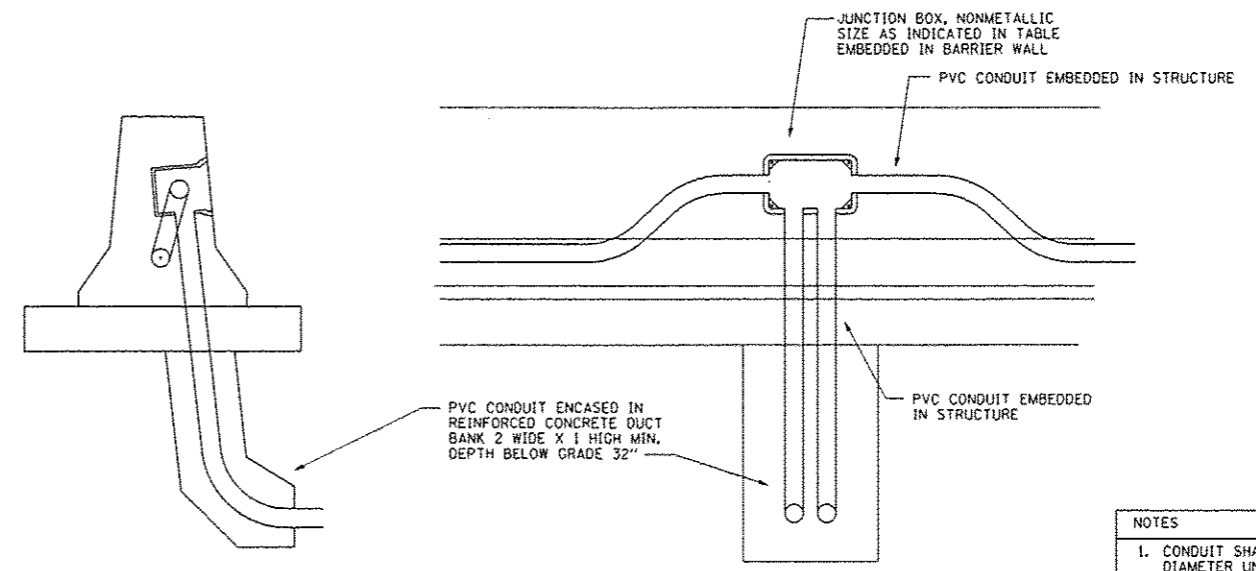
- NOTES
1. CONDUIT SHALL BE 4-INCH DIAMETER UNLESS OTHERWISE INDICATED IN THE PLANS.
  2. JUNCTION BOX SIZE  
SINGLE FACE WALL: 21" X 11" X 8"  
DOUBLE FACE WALL: 20" X 13" X 12"

ED - SGN  
JUNCTION BOX EMBEDDED IN BARRIER WALL FOR SIGN LIGHTING

ED - BWD  
ELECTRIC CONNECTION TO UNDERPASS LIGHTING



INSTALLATION OF CONDUIT  
IN BRIDGE PARAPET EXPANSION JOINT  
(N.T.S.)



- NOTES
1. CONDUIT SHALL BE 4-INCH DIAMETER UNLESS OTHERWISE INDICATED IN THE PLANS.
  2. JUNCTION BOX SIZE  
SINGLE FACE WALL: 21" X 11" X 8"  
DOUBLE FACE WALL: 20" X 13" X 12"

ED - BW  
JUNCTION BOX EMBEDDED IN BARRIER WALL

FILE NAME = be703.dgn	USER NAME = gajlanobt	DESIGNED -	REVISED -	<b>STATE OF ILLINOIS DEPARTMENT OF TRANSPORTATION</b>	<b>MISCELLANEOUS ELECTRICAL DETAILS, SHEET B</b>			F.A. RTE. =	SECTION	COUNTY	TOTAL SHEETS	SHEET NO.
	PLOT SCALE = 5/8" = 1'	CHECKED -	REVISED -		<b>J BOX EMBEDDED IN BARRIER WALL - INSTALLATION OF CONDUIT IN BRIDGE PARAPET EXPANSION JOINT - ELECTRIC CONNECTION TO UNDERPASS LIGHTING</b>			338	(112 & 113) WRS-5	DUPAGE	963	719
	PLOT DATE = 2/5/2009	DATE = 01-20-2009	REVISED -		SCALE: NONE SHEET NO. 1 OF 1 SHEETS STA. TO STA.			<b>BE-703</b>		CONTRACT NO. 60131		
					FED. ROAD DIST. NO. 1 ILLINOIS FED. AID PROJECT							