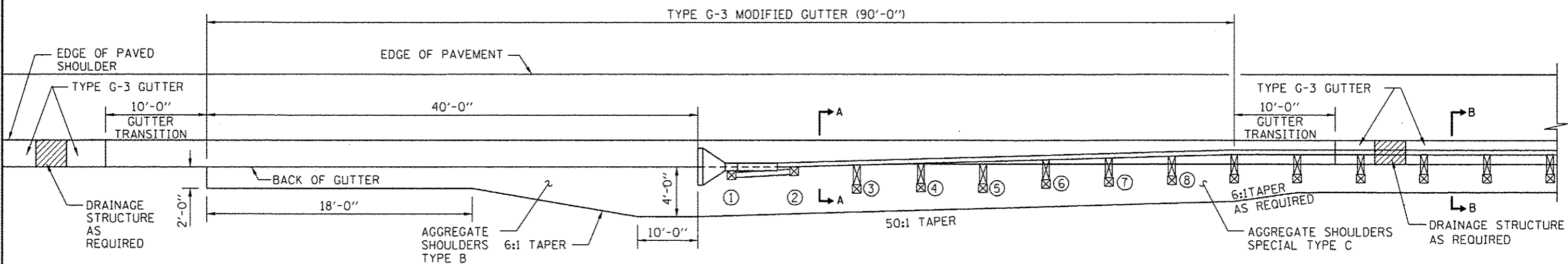
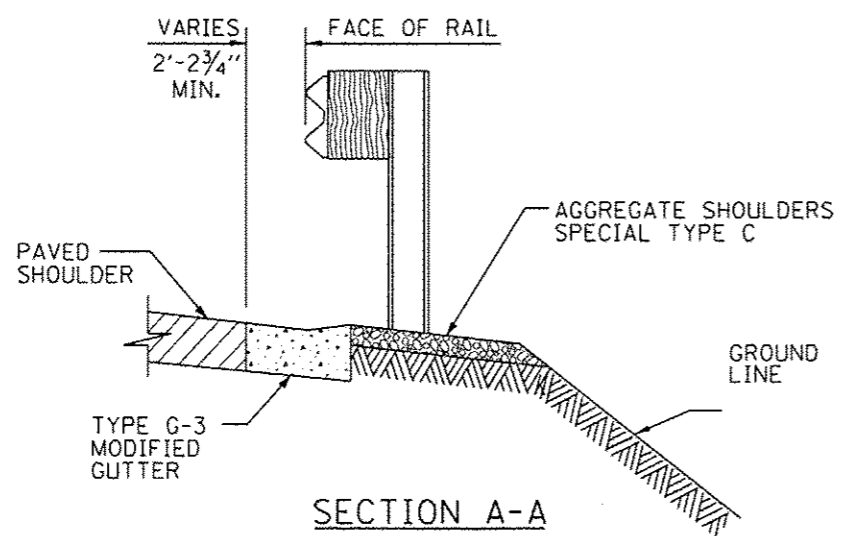


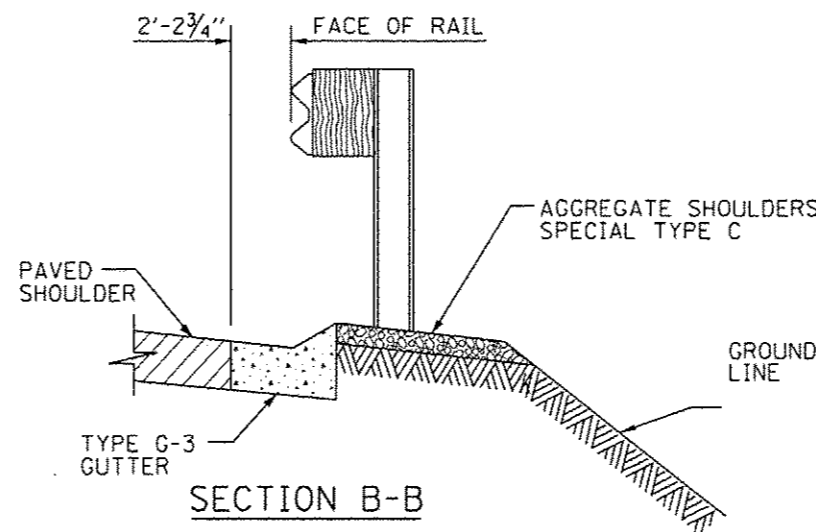
DIRECTION OF TRAFFIC →



PLAN



SECTION A-A



SECTION B-B

TYPE G-3 GUTTER TRANSITION AT TRAFFIC BARRIER TERMINAL, TYPE T1 (SPECIAL)

NOTE:
GUTTER TRANSITIONS WILL BE PAID FOR PER FOOT AS TYPE G-3 GUTTER.

CONTRACT 60I31 SHEET 894 OF 963
SHEET 1 OF 3

Paul Kovacs
APPROVED... CHIEF ENGINEER... DATE 3-1-2010

REVISIONS	
1-1-2011	REVISED GUTTER TRANSITION TERMINATION

Illinois Tollway
Open Roads for a Faster Future

GUTTER TRANSITION AT TRAFFIC BARRIER TERMINAL, TYPE T1 (SPECIAL)

STANDARD B28-01