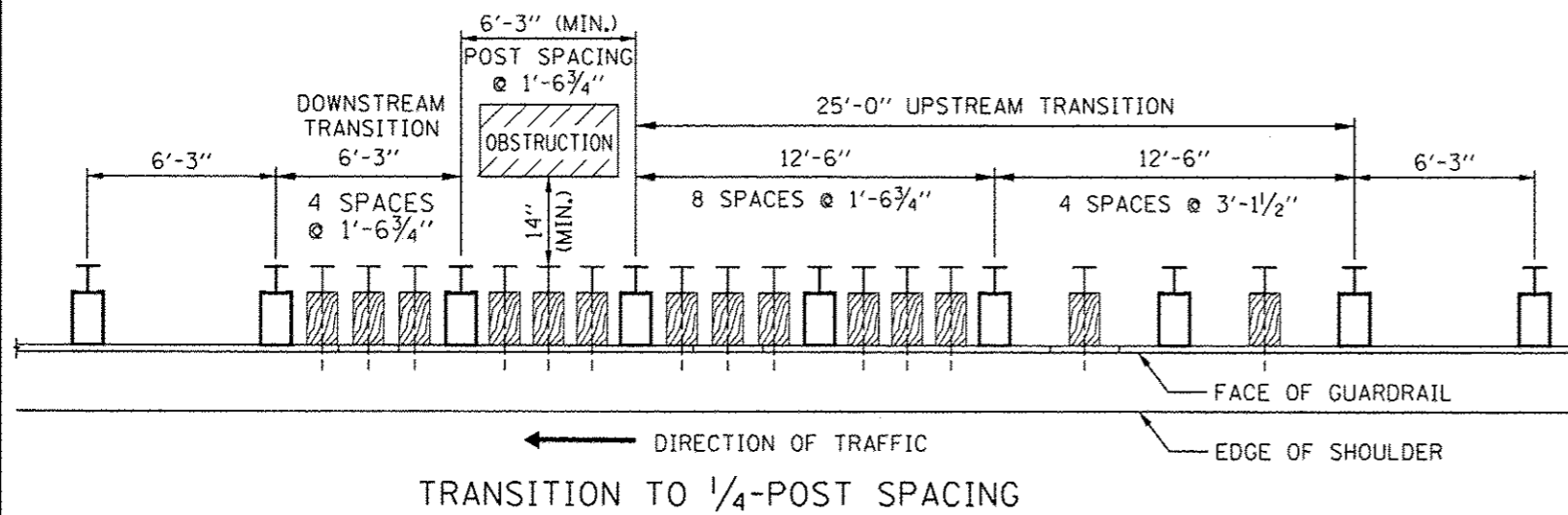
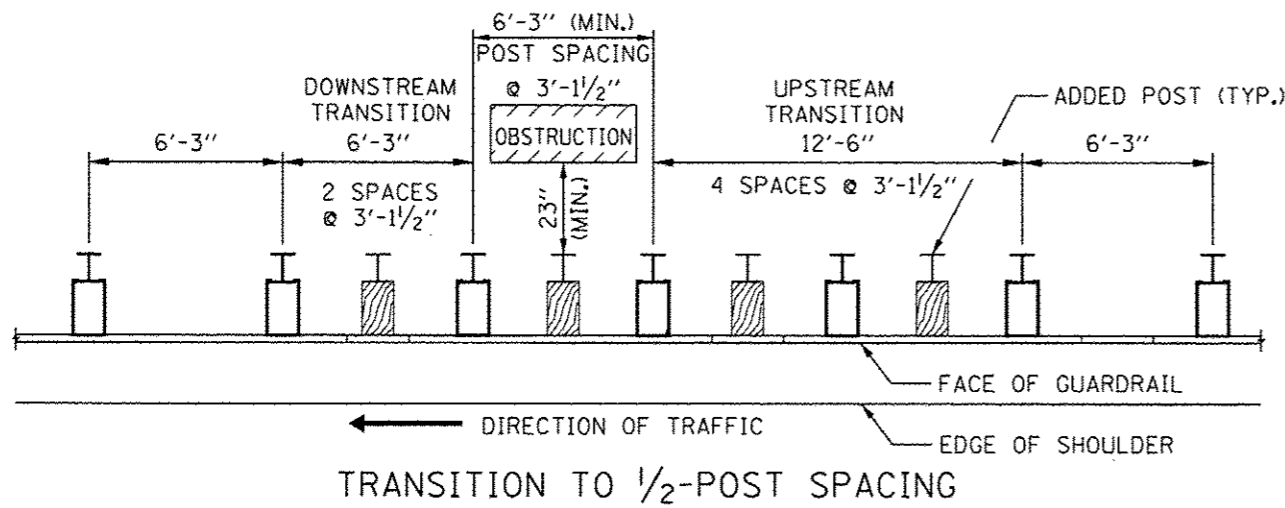


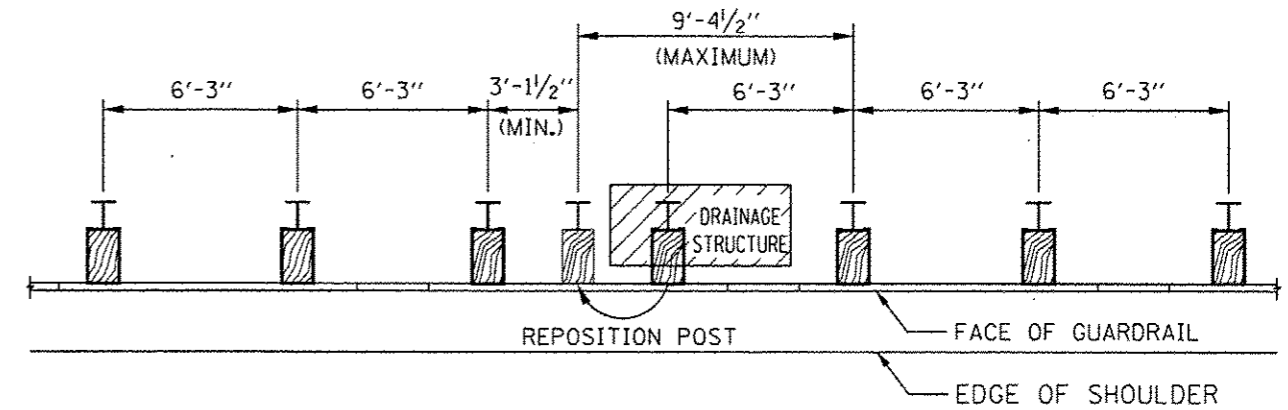
TABLE 2

BARRIER CLEARANCE DISTANCE			
GUARDRAIL SYSTEM	POST SPACING	DESIRABLE BARRIER CLEARANCE DISTANCE	MINIMUM BARRIER CLEARANCE DISTANCE
TYPE A	6'-3"	42"	28"
TYPE B 1/2 POST SPACING	3'-1 1/2"	30"	23"
TYPE C 1/4 POST SPACING	1'-6 3/4"	24"	14"

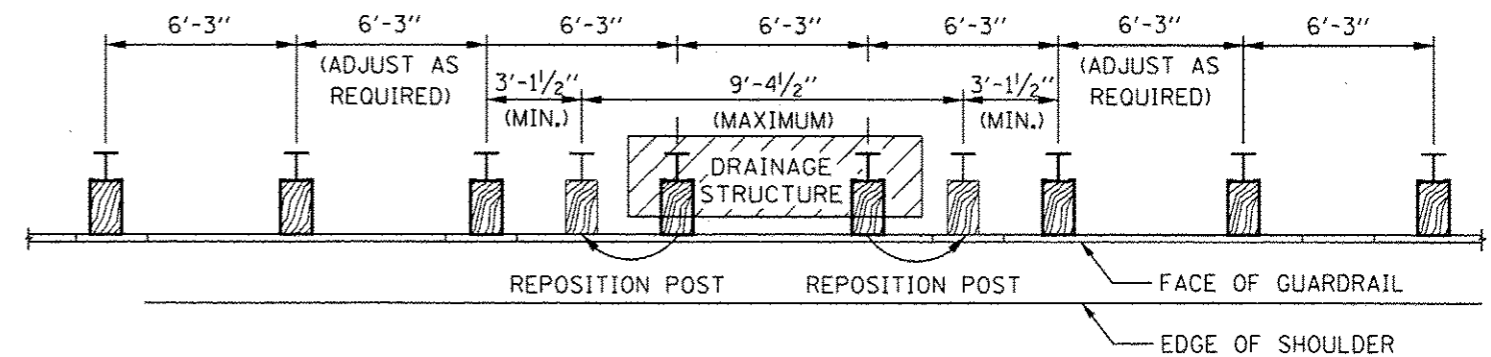


NOTES:

- DESIRABLE BARRIER CLEARANCE DISTANCES SHALL BE USED FOR ALL NEW INSTALLATIONS.
- MINIMUM BARRIER CLEARANCE DISTANCES ARE ONLY TO BE USED FOR EXISTING OBSTRUCTIONS.
- WHEN LENGTH OF OBSTRUCTION IS 1'-3" OR LESS, THE DOWNSTREAM TRANSITION SHALL BE OMITTED.



TYPE A GUARDRAIL-DRAINAGE STRUCTURE CONFLICT ONE POST



TYPE A GUARDRAIL - DRAINAGE STRUCTURE CONFLICT TWO POSTS

NOTES:

- GUARDRAIL POSTS SHALL NOT BE ELIMINATED; ALL POSTS MUST BE USED.
- GUARDRAIL POSTS SHALL NOT BE SET BACK TO AVOID CONFLICTS WITH A DRAINAGE STRUCTURE.
- NO MODIFICATIONS OF ANY KIND TO THE TRANSITION POST SPACING ARE ALLOWED.



GALVANIZED STEEL PLATE
BEAM GUARDRAIL

STANDARD C1-05

APPROVED *Paul Kovacs* DATE 7-1-2009
CHIEF ENGINEER