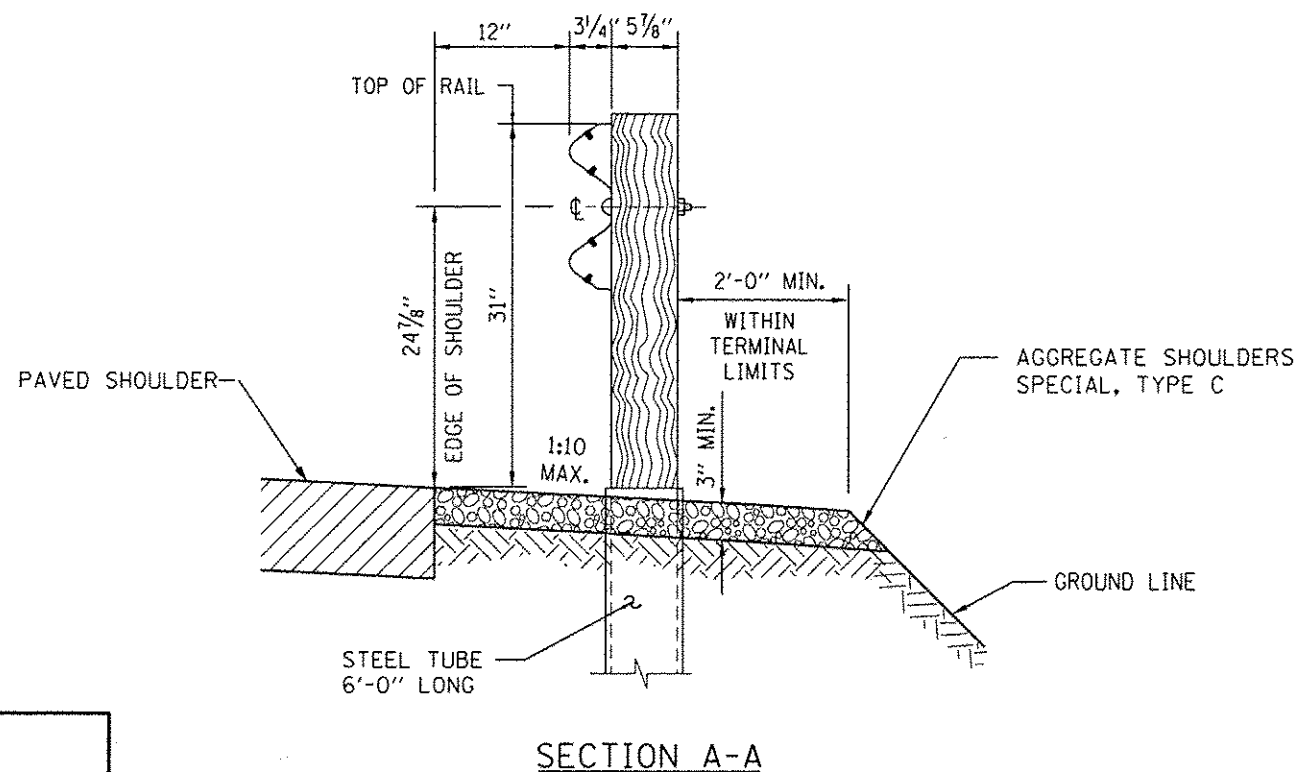


TRAFFIC BARRIER TERMINAL TYPE T2-WITHOUT GUTTER



NOTES:

1. SEE STANDARD C1 FOR DETAILS OF GUARDRAIL NOT SHOWN.
2. THE BEARING PLATE K SHALL BE HELD IN POSITION BY TWO 8D NAILS DRIVEN INTO THE POST AND BENT OVER THE TOP OF THE PLATE.
3. THE TYPE T2 TERMINAL IS TYPICALLY UTILIZED FOR THE DEPARTING END SECTION OF A GALVANIZED STEEL PLATE BEAM BARRIER SYSTEM.
4. UNDER NO CIRCUMSTANCES SHALL AN EXISTING TERMINAL, THAT WAS DESIGNED USING A PREVIOUS STANDARD, BE ATTACHED TO OR MODIFIED IN ANYWAY FROM ITS ORIGINAL DESIGN. IF ANY MODIFICATION IS REQUIRED AND A PROPER BARRIER WARRANT HAS BEEN COMPLETED, THE ENTIRE BARRIER INSTALLATION SHALL BE COMPLETELY REMOVED AND REPLACED WITH A NEW SYSTEM THAT CONFORMS TO THE CURRENT STANDARD.
5. TRAFFIC BARRIER TERMINAL SHALL BE IN ACCORDANCE WITH THE MANUFACTURER'S DETAILS AND SPECIFICATIONS.
6. TERMINAL POSTS SHALL NOT BE INSTALLED IN CONCRETE OR HMA PAVEMENT. WHEN NECESSARY USE LEAVE-OUT DETAIL PER STANDARD C1.
7. WHERE GUTTERS SUCH AS TYPE G-2 ,G-3 ARE REQUIRED IN FRONT OF THE GUARDRAIL, THE POSTS SHALL BE LOCATED 6" BEHIND THE GUTTER, OR AS OTHERWISE DETAILED IN THE PLANS. THE OFFSET FROM THE EDGE OF SHOULDER TO THE FACE OF THE GUARDRAIL SHALL BE AS SHOWN ON STANDARD B28.

CONTRACT 60I31 SHEET 910 OF 963
SHEET 1 OF 3



REVISIONS	
3-1-2010	MODIFIED STEEL TUBE HOLE LOCATIONS, SECTION A-A, REVISED NOTES
1-1-2011	REMOVED WOOD BLOCKOUT, SECTION A-A, SHEET 1, REVISED STEEL TUBE LENGTH
2-7-2012	REVISED DIMENSIONS OF BEARING PLATE, POST, CABLE STRUT AND TUBE, AND NOTES

TRAFFIC BARRIER
TERMINAL, TYPE T2

STANDARD C7-03

APPROVED *Paul Kovacs* DATE 7-1-2009
CHIEF ENGINEER