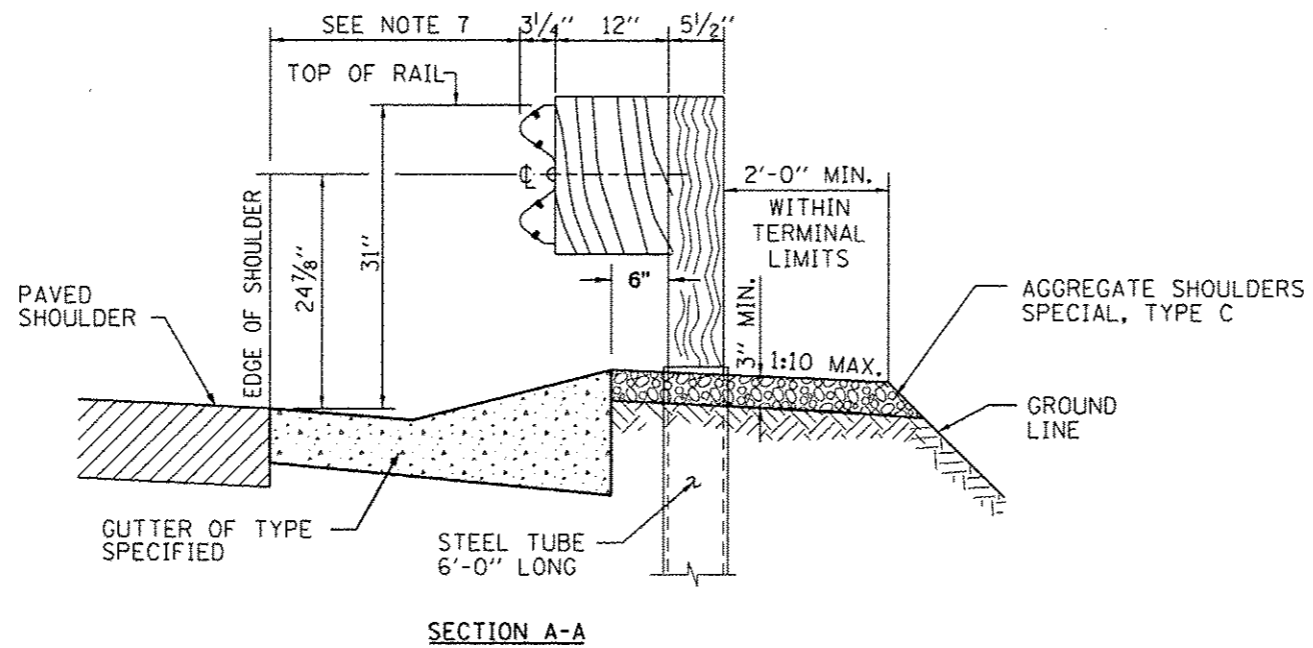


TRAFFIC BARRIER TERMINAL TYPE T2-WITH GUTTER



SECTION A-A

NOTE:

SEE SHEET 1 OF THIS SERIES FOR NOTES.

CONTRACT 60131 SHEET 911 OF 963
SHEET 2 OF 3

APPROVED *Paul Kovacs* DATE 7-1-2009
CHIEF ENGINEER

Illinois Tollway
Open Roads for a Faster Future

TRAFFIC BARRIER
TERMINAL, TYPE T2

STANDARD C7-03