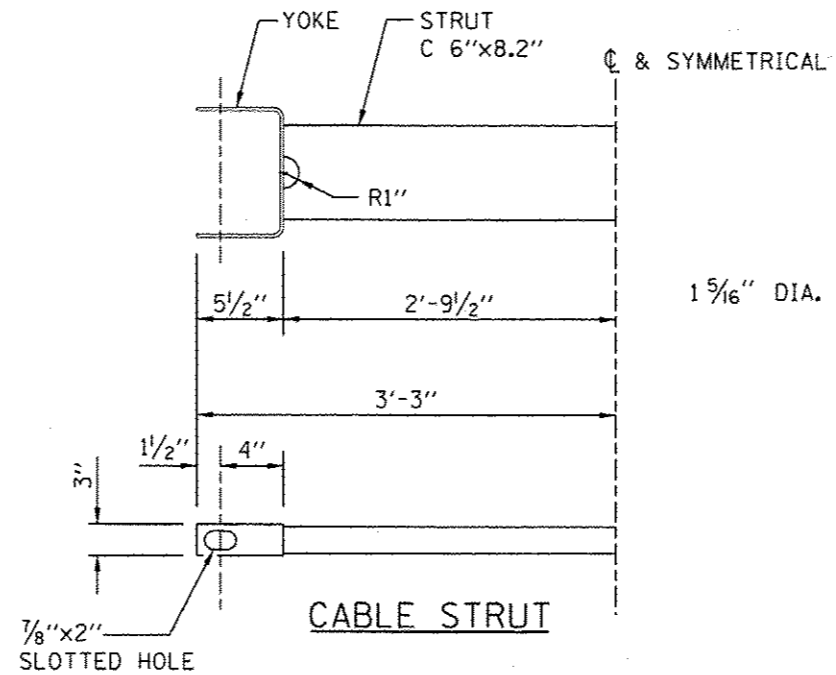
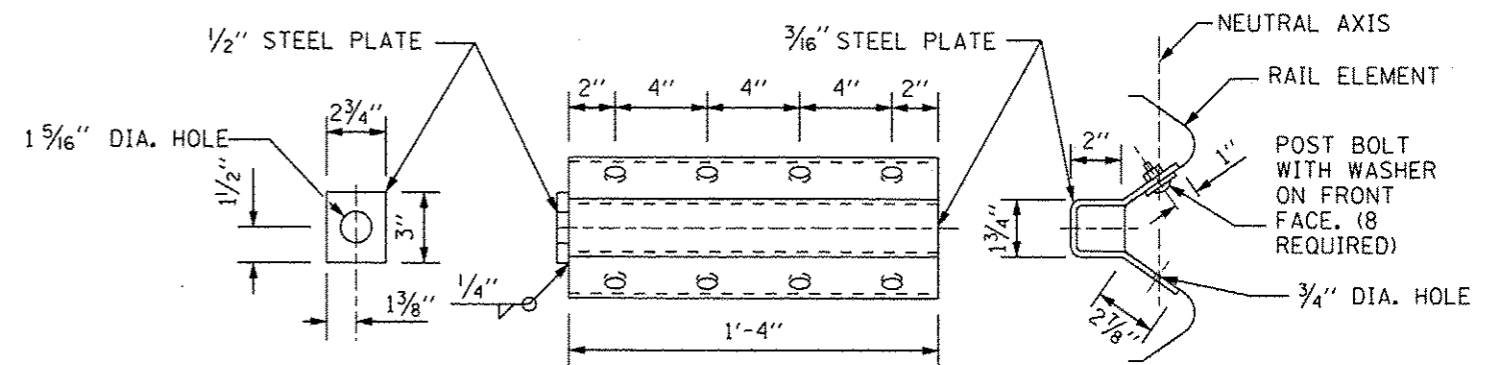


BEARING PLATE K



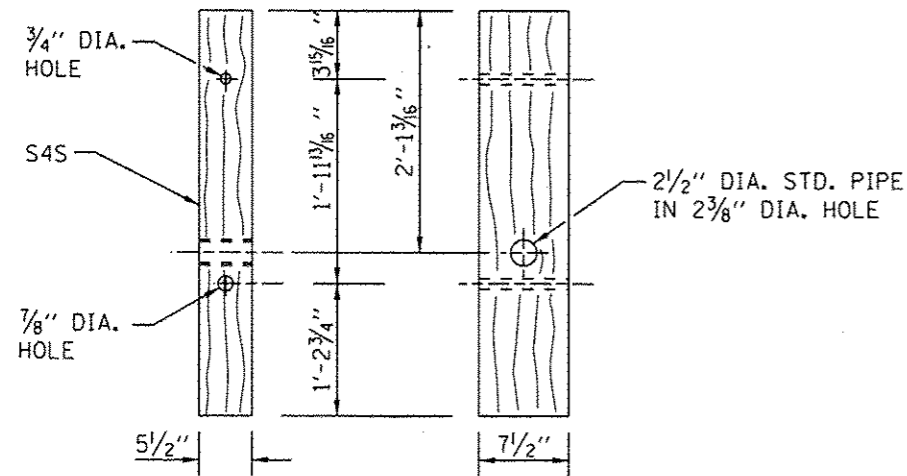
CABLE STRUT



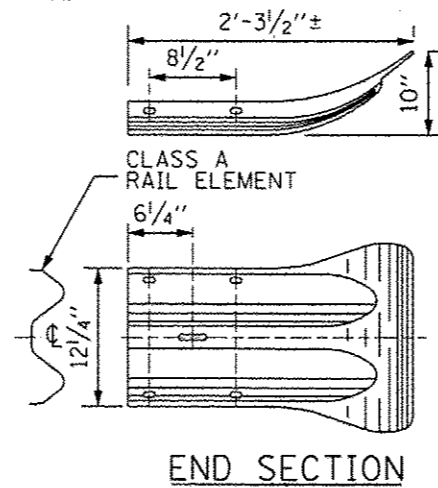
NOTE:

ANCHOR PLATE T SHALL BE USED TO ATTACH CABLE ASSEMBLY TO GUARDRAIL WHEN REQUIRED ON TRAFFIC BARRIER TERMINALS.

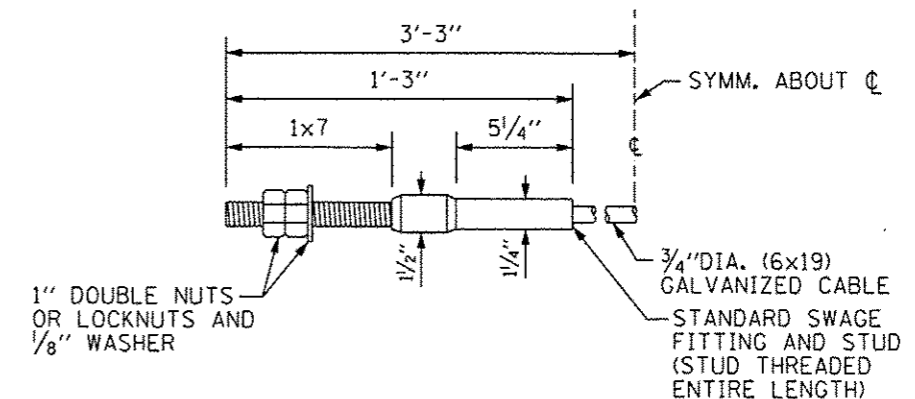
ANCHOR PLATE T DETAILS



WOOD POST



END SECTION



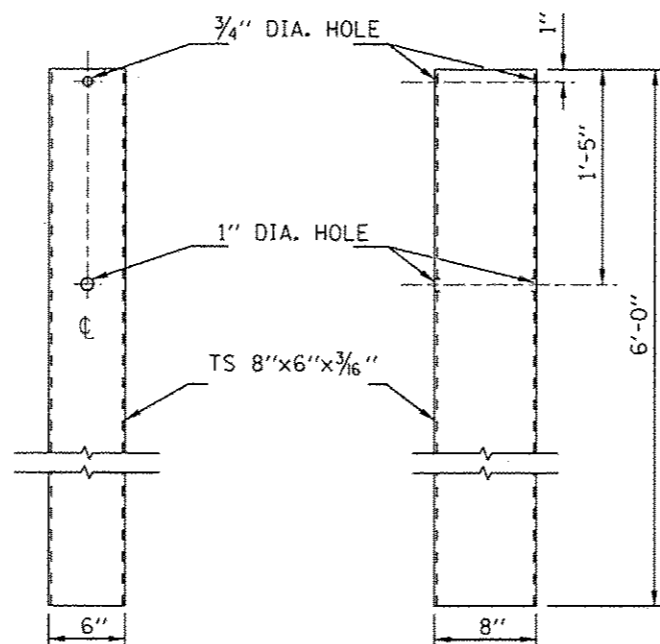
CABLE ASSEMBLY  
(40,000 LBS.) MIN. BREAKING STRENGTH)  
TIGHTEN TO TAUT TENSION.

NOTE:

SEE SHEET 1 OF THIS SERIES FOR NOTES.

CONTRACT 60I31 SHEET 912 OF 963

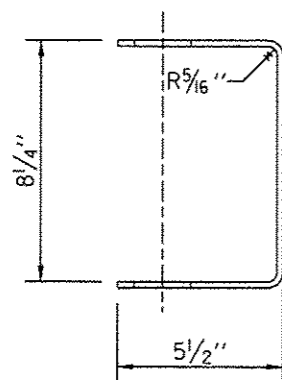
SHEET 3 OF 3



FRONT

SIDE

STEEL TUBE



YOKE

3/16" THICK STEEL

APPROVED *Paul Kovacs* DATE 7-1-2009  
CHIEF ENGINEER



TRAFFIC BARRIER  
TERMINAL, TYPE T2

STANDARD C7-03