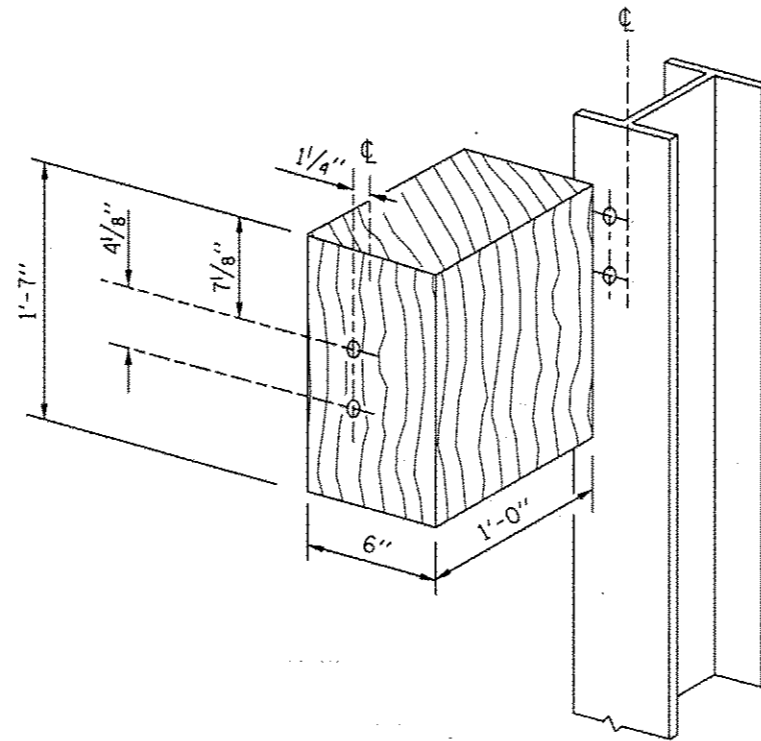
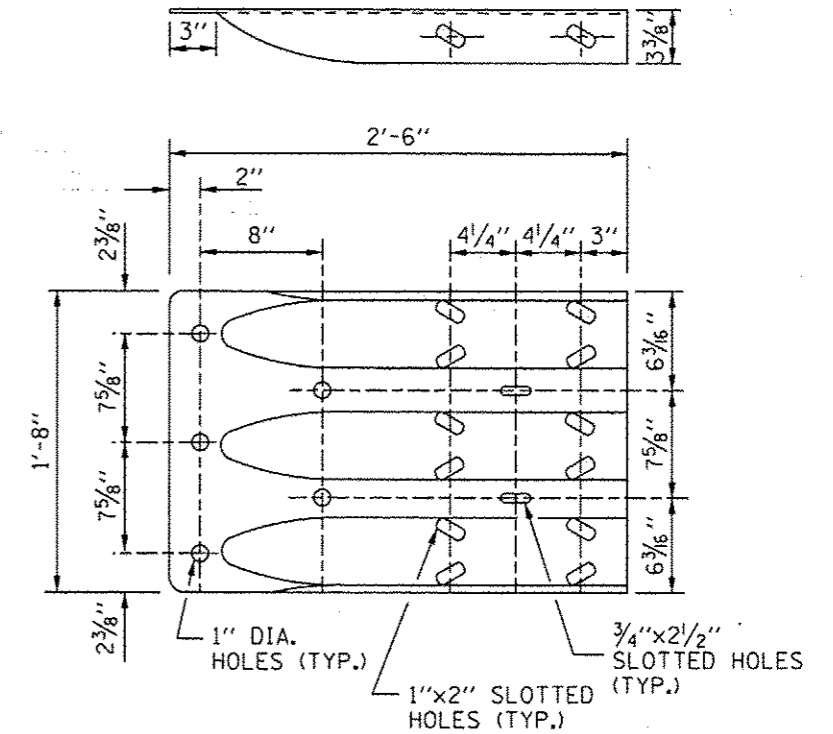


POSTS 1-11 WOOD BLOCKOUT DETAIL

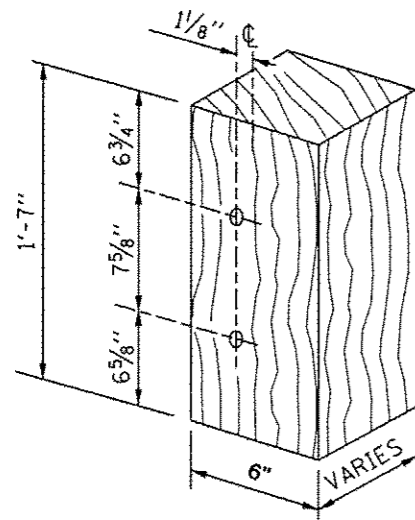


POST 12 WOOD BLOCKOUT DETAIL

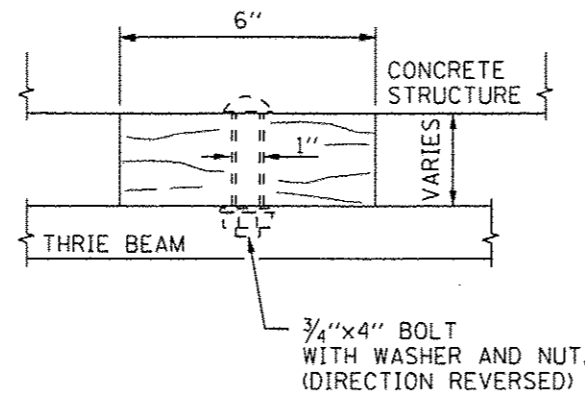
(SEE STANDARD C1 FOR POST 13-17 BLOCKOUTS)



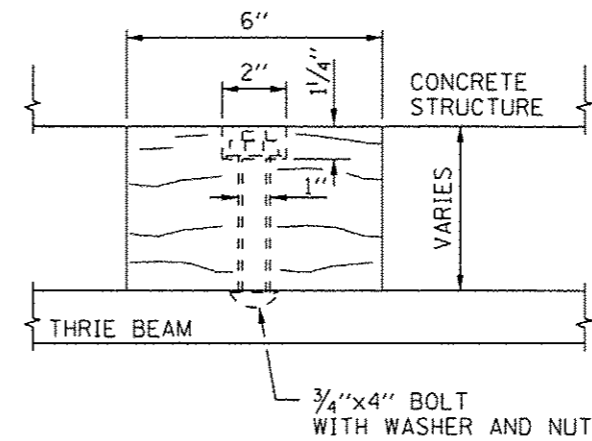
THRIE BEAM END SHOE DETAIL



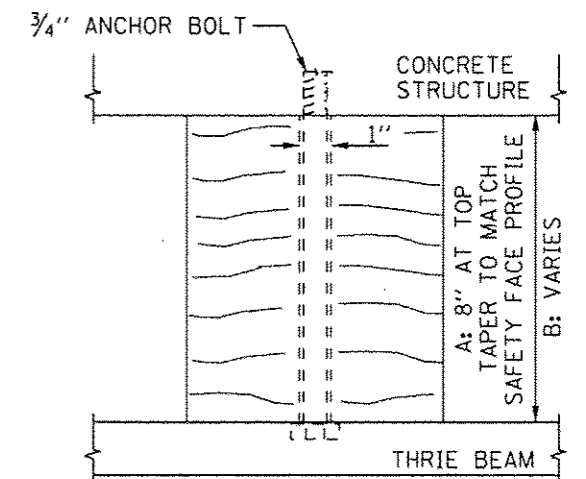
MODIFIED THICKNESS DETAIL
WOOD BLOCKOUTS A, B, C, & D



WOOD BLOCKOUT D



WOOD BLOCKOUT C



WOOD BLOCKOUT A & B

CONTRACT 60I31 SHEET 920 OF 963
SHEET 2 OF 2

APPROVED *Paul Kovacs* DATE 7-1-2009
CHIEF ENGINEER

NOTE:

SEE SHEET 1 OF THIS SERIES FOR NOTES.



TRAFFIC BARRIER
TERMINAL, TYPE T6B

STANDARD C10-03