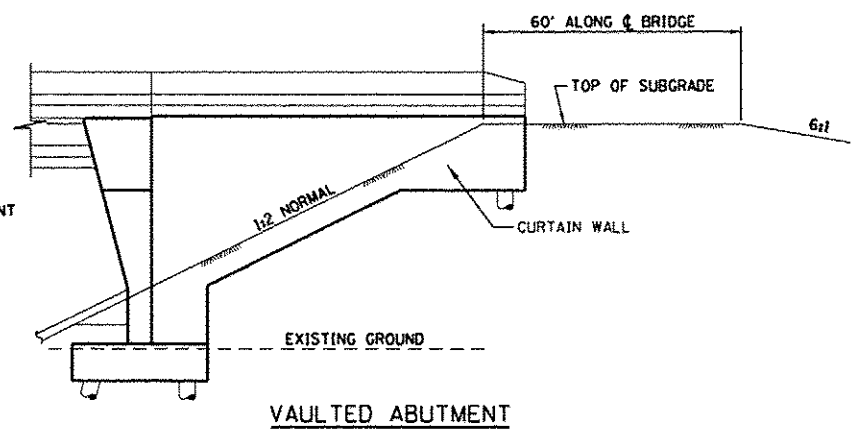


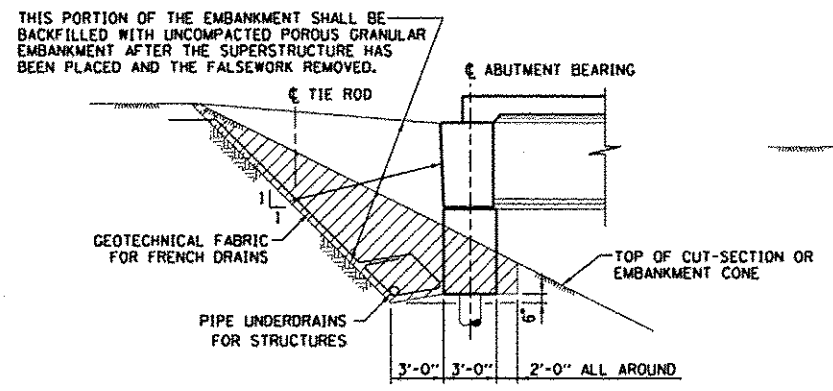
ABUTMENT WING OR CURTAIN WALL

VAULTED ABUTMENT

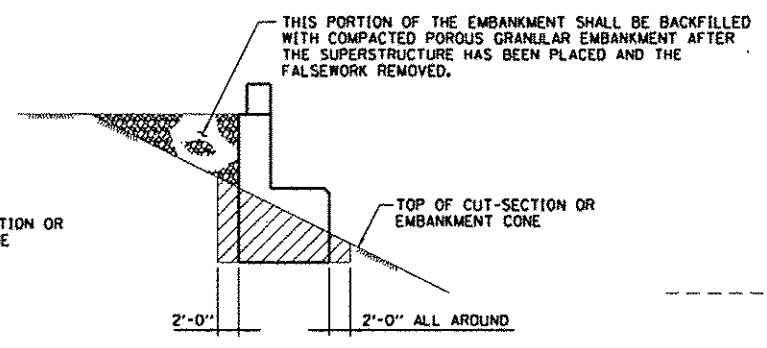
- LEGEND:**
- STRUCTURE EXCAVATION
 - SAND ABUTMENT FILL
 - COMPACTED POROUS GRANULAR EMBANKMENT
 - UNCOMPACTED POROUS GRANULAR EMBANKMENT



VAULTED ABUTMENT

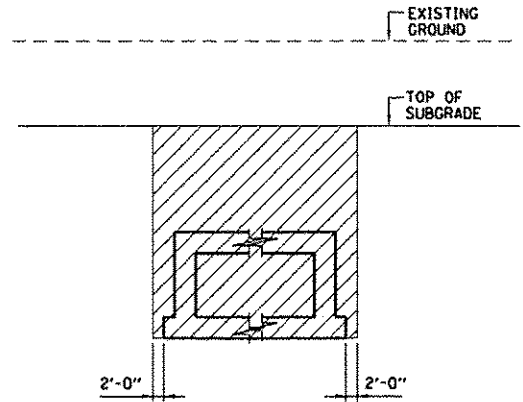


INTEGRAL ABUTMENT

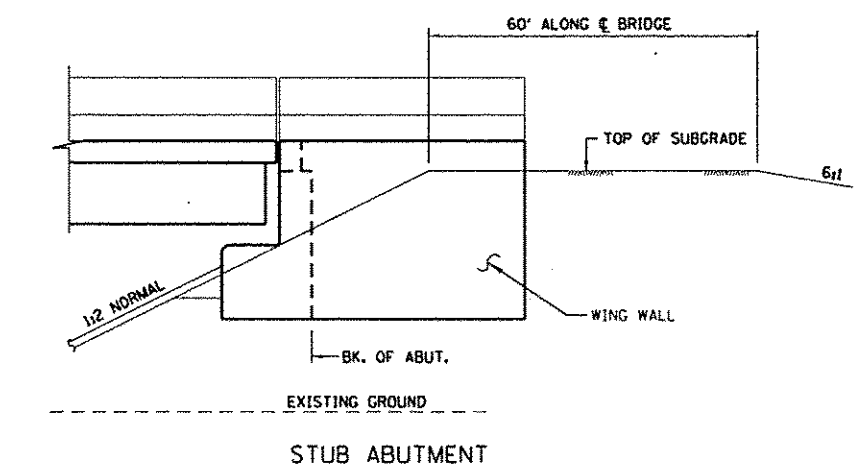


STUB ABUTMENT

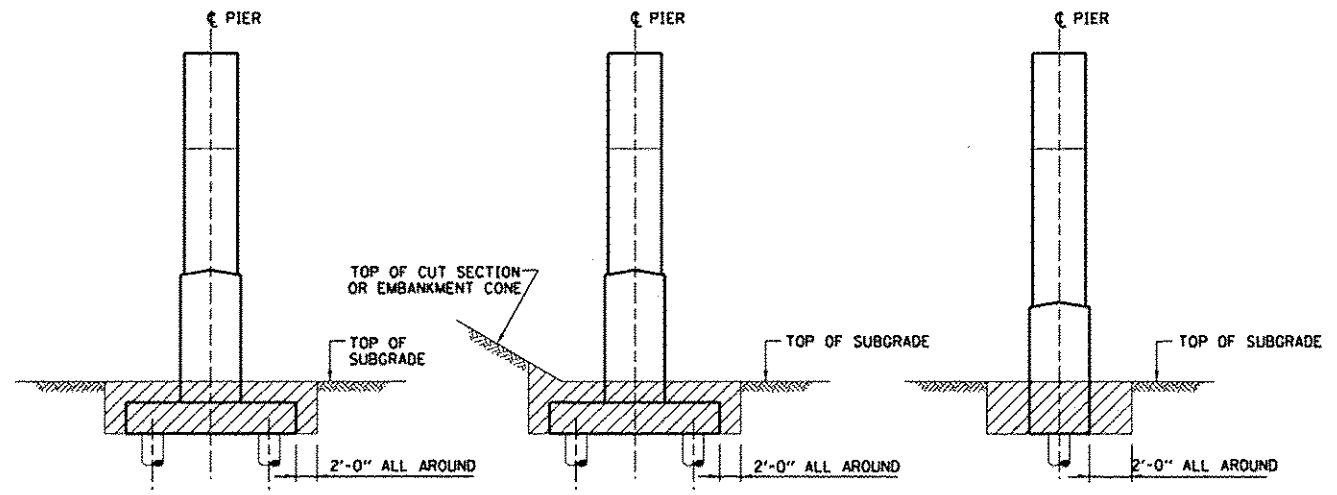
LIMITS OF STRUCTURE EXCAVATION FOR ABUTMENTS



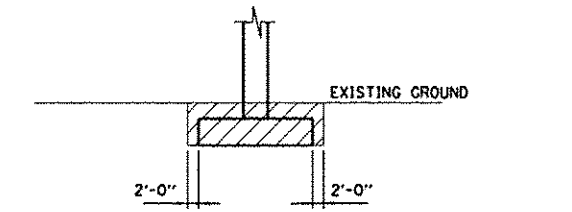
LIMITS OF STRUCTURE EXCAVATION FOR CULVERTS



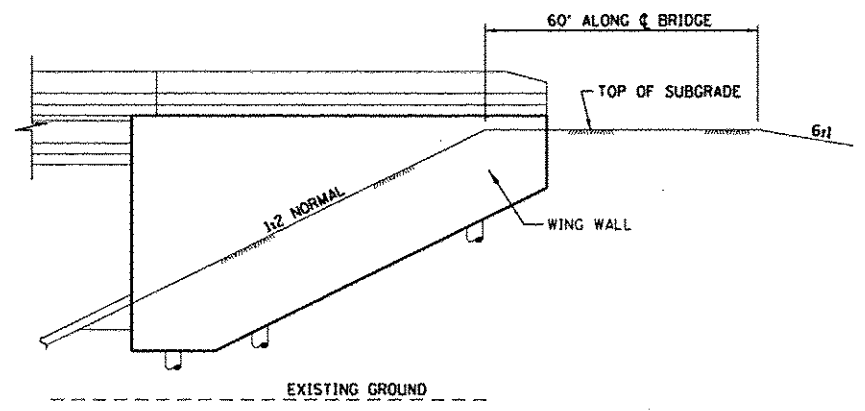
STUB ABUTMENT



LIMITS OF STRUCTURE EXCAVATION FOR PIERS



LIMITS OF STRUCTURE EXCAVATION FOR RETAINING WALLS



INTEGRAL ABUTMENT

EMBANKMENT CONE DETAILS

CONTRACT 60I31 SHEET 950 OF 963

- NOTES:**
1. ALL SLOPES ARE EXPRESSED AS UNITS OF VERTICAL DISPLACEMENT TO UNITS OF HORIZONTAL DISPLACEMENT (V/H).

APPROVED *Paul Kovacs* CHIEF ENGINEER DATE 6-1-2009

DATE	REVISIONS
6-1-2009	ADDED NOTES

Illinois Tollway
Open Roads for a Faster Future

LIMITS OF STRUCTURE EXCAVATION AND EMBANKMENT CONE DETAILS

STANDARD G1-01