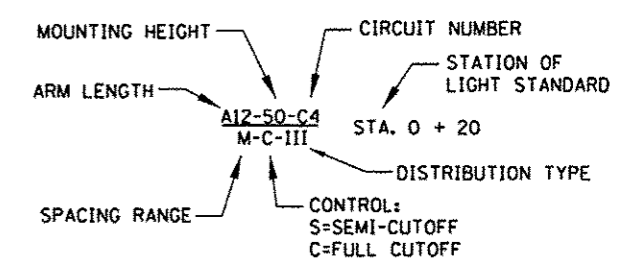
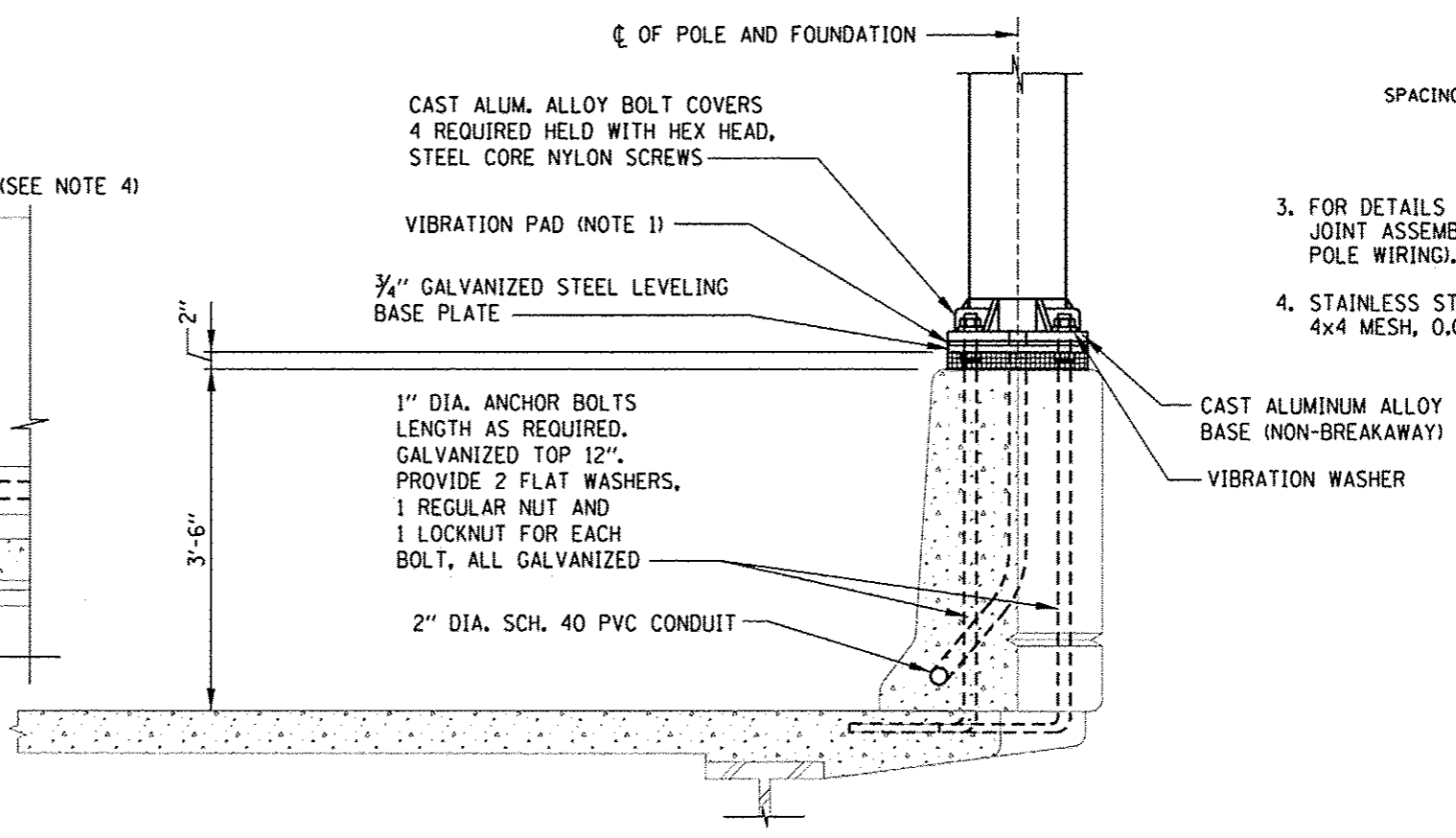
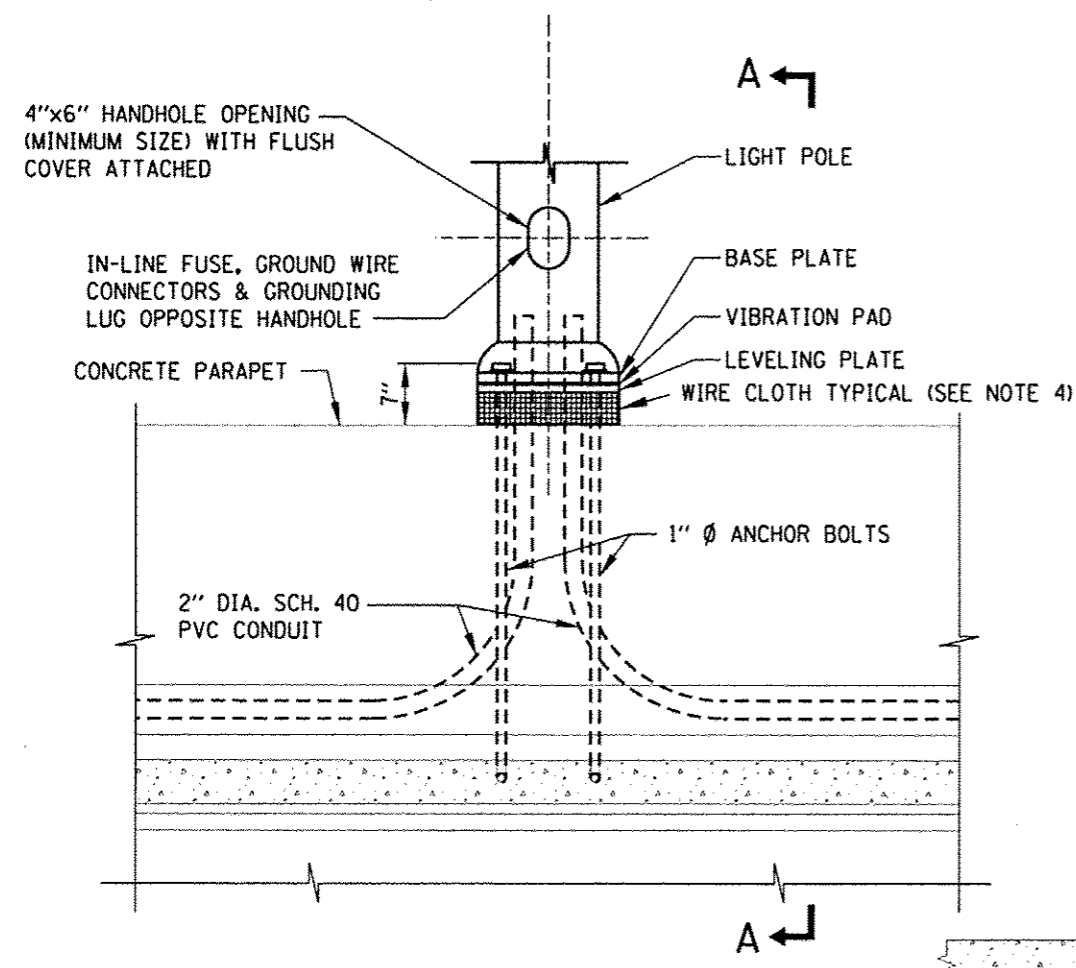


- NOTES:**
1. EACH BRIDGE MOUNTED STANDARD SHALL BE PROVIDED WITH SHOCK ABSORBING VIBRATION PADS, NUTS, WASHERS, LEVELING PLATE AND WIRE MESH FOR ITS ERECTION ON THE FOUNDATION AS SHOWN ON THE PLANS.
 2. ALL LIGHT STANDARDS, BOTH NEW AND EXISTING, ARE SHOWN ON PLANS WITH THE FOLLOWING SAMPLE DESCRIPTION:



3. FOR DETAILS OF FUSE HOLDER, POLE BASE WIRING, AND JOINT ASSEMBLY, SEE STANDARD H2 (LIGHT STANDARD POLE WIRING).
4. STAINLESS STEEL STANDARD GRADE WIRE CLOTH-TYPE 304, 4x4 MESH, 0.047" WIRE DIAMETER.



CONTRACT 60131 SHEET 957 OF 963
SHEET 6 OF 6



LIGHT STANDARD FOUNDATION

STANDARD H1-01

APPROVED *Paul Kovacs* CHIEF ENGINEER DATE 2-7-2012