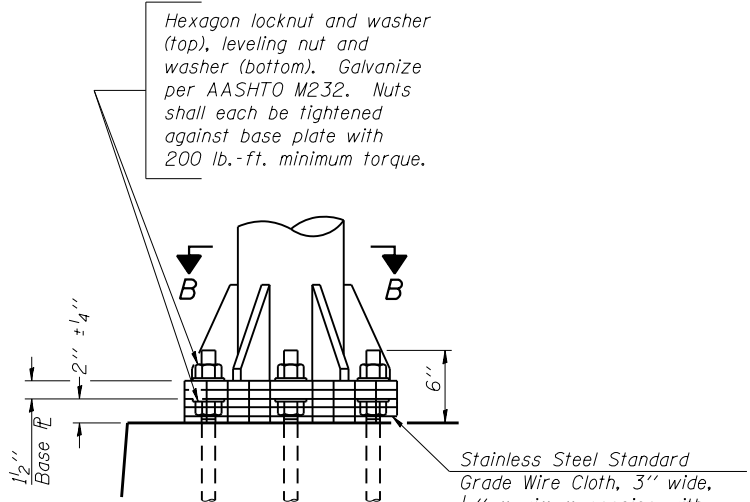


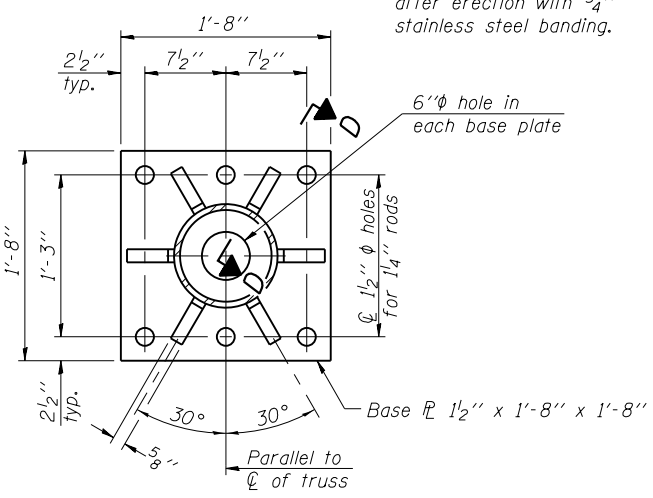
2/12/28 PM

S:\1072\_05\_CADD\Structures\CADD Sheets\SignStructures-68.112-006-SF\02.dwg/2013

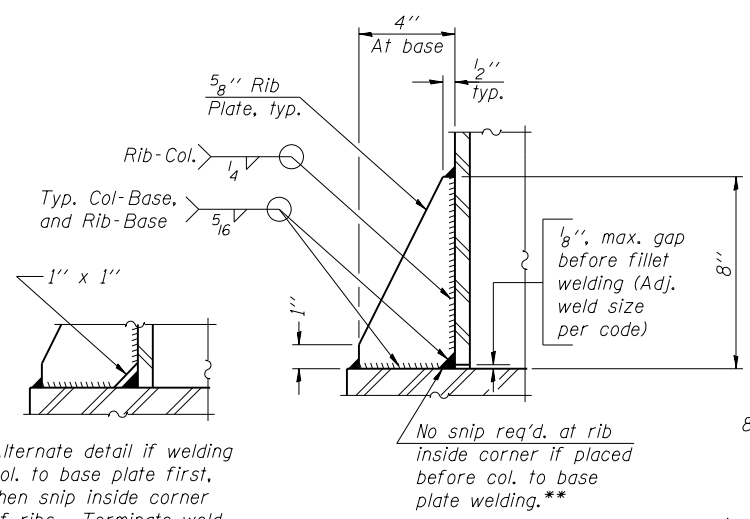


**DETAIL B**

Ribs shall be cut to fit slope of pipe.

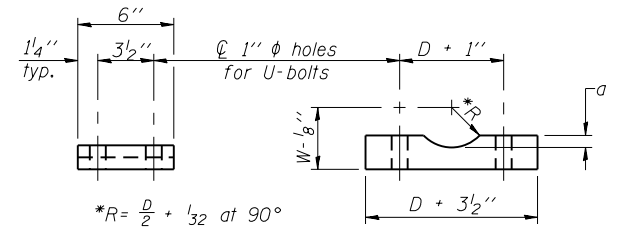


**SECTION B-B**



**SECTION D-D**

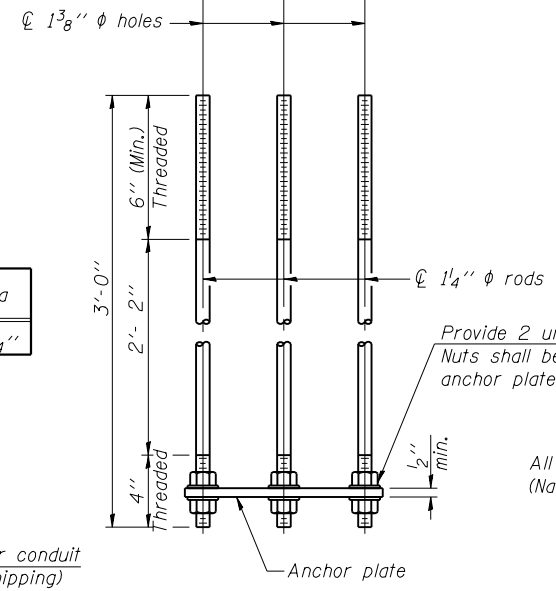
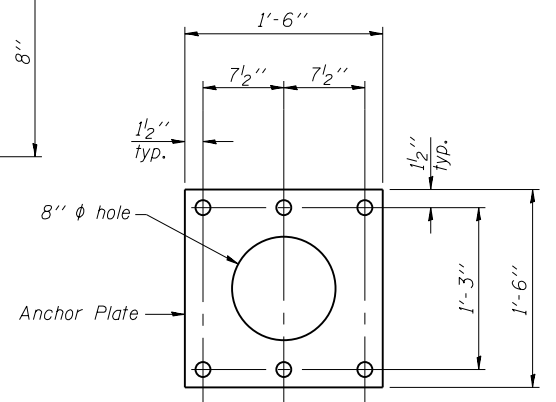
\*\* Alternate detail if welding col. to base plate first, then snip inside corner of ribs. Terminate weld on rib 1/4" from snip.



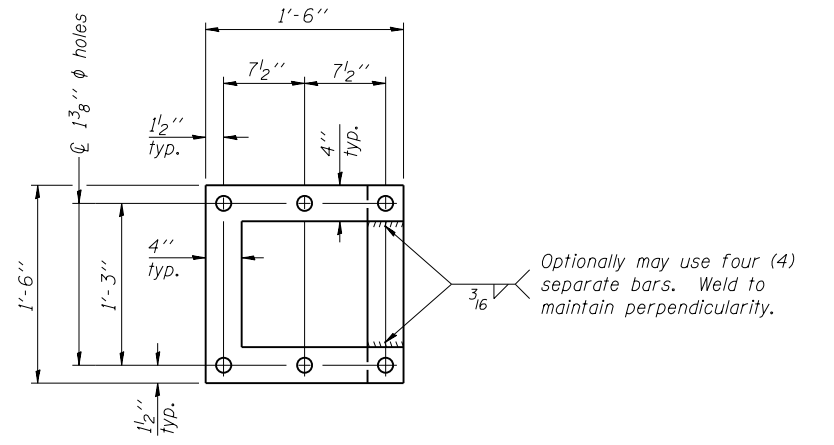
**SADDLE SHIM DETAIL**

ASTM B26 Alloy 356-F or ASTM B209 Alloy 6061-T651 (4 required per sign truss)

Truss Chord Nominal Dia.	a
5"	3/4"



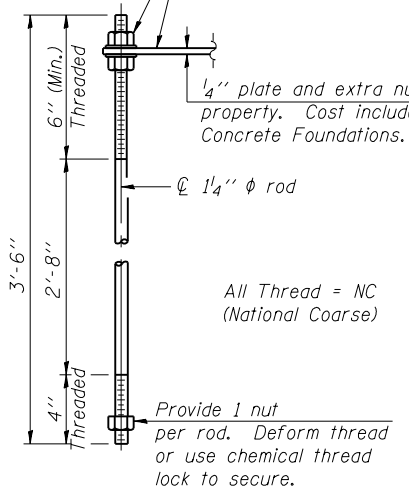
**ANCHOR ROD DETAIL**  
Spread Footing Foundation



**POSITIONING PLATE(S)**

At each location, provide 1/4" thick positioning plate(s) and six (6) additional nuts to be used with leveling nuts to maintain anchor bolts position during concrete placement.

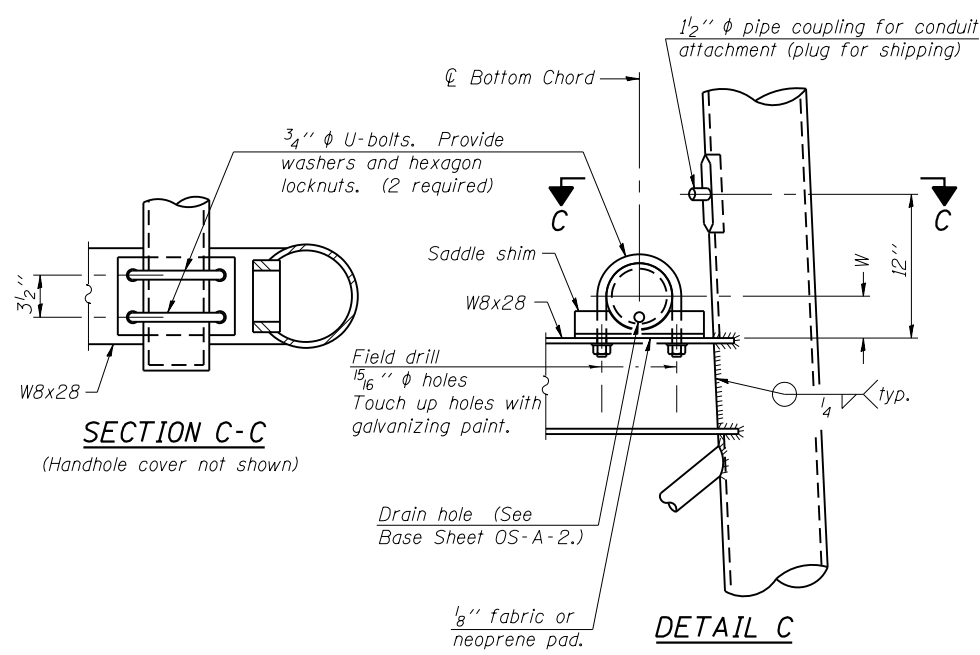
1/4" plate and extra nuts become Contractor's property. Cost included in Drilled Shaft Concrete Foundations.



**ANCHOR ROD DETAIL**  
Drilled Shaft Foundation

Anchor rods shall conform to ASTM F1554 Grade 105. Galvanize upper 12" minimum per AASHTO M232. No welding shall be permitted on rods.

**10"  $\phi$  PIPE SUPPORT FRAME DETAILS**



**SECTION C-C**

(Handhole cover not shown)

**DETAIL C**

OS-A-6A 6-1-12

BOWMAN, BARRETT & ASSOCIATES INC.  
CONSULTING ENGINEERS  
Chicago, Illinois  
312.228.0100  
www.bbainc.com

USER NAME =	DESIGNED - JGC	REVISED -
PLOT SCALE =	CHECKED - BAK	REVISED -
PLOT DATE = 03/29/2013	DRAWN - JGC	REVISED -
	CHECKED - TL	REVISED -

STATE OF ILLINOIS  
DEPARTMENT OF TRANSPORTATION

OVERHEAD SIGN STRUCTURES  
SUPPORT FRAME DETAILS - ALUMINUM TRUSS

SHEET NO. S-6 OF S-18 SHEETS

F.A.I. RTE.	SECTION	COUNTY	TOTAL SHEETS	SHEET NO.
94	2012-059-BR	COOK	631	250
CONTRACT NO. 60J12				

ILLINOIS FED. AID PROJECT