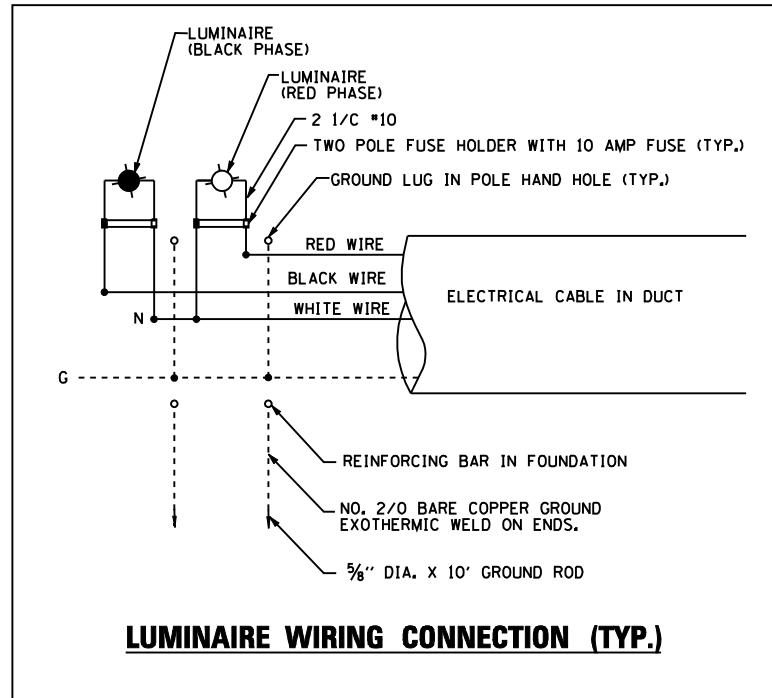
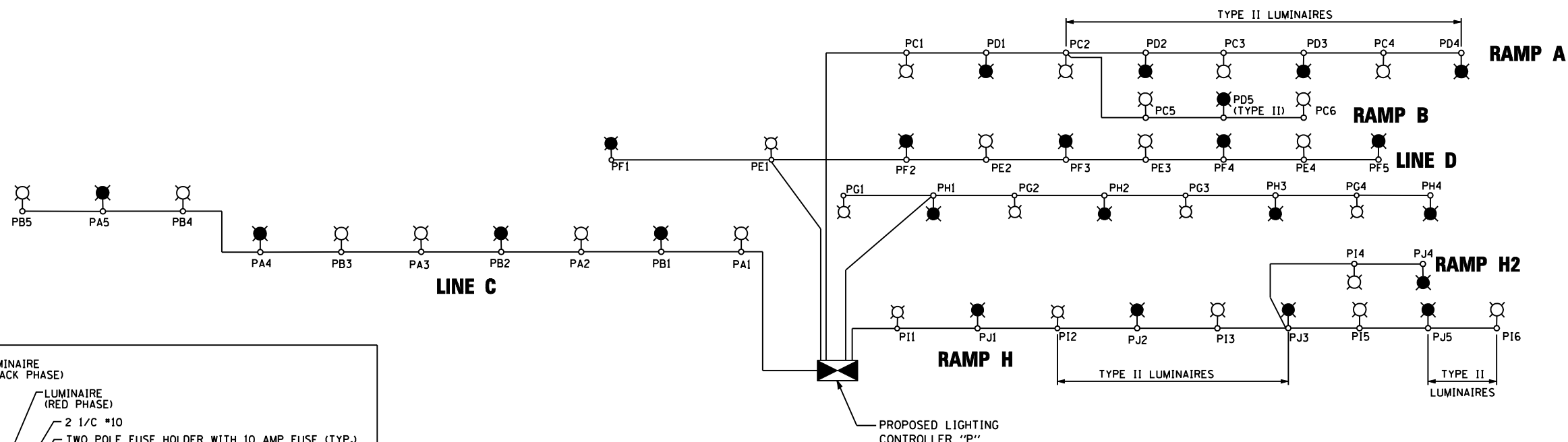
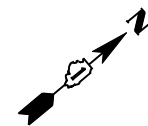


LOAD TABLE LIGHTING CONTROLLER "P" (@ 240 VOLT)					
CIRCUIT	RED PHASE		CIRCUIT	BLACK PHASE	
	AMPS	WATTS		AMPS	WATTS
A	10	2400	B	10	2400
C	12	2880	D	10	2400
E	8	1920	F	10	2400
G	8	1920	H	8	1920
I	12	2880	J	10	2400
TOTAL	50	12000	TOTAL	48	11520



LEGEND	
	PROPOSED 400W LIGHTING UNIT (RED PHASE) (TYPE III U.N.O.)
	PROPOSED 400W LIGHTING UNIT (BLACK PHASE) (TYPE III U.N.O.)
	EXISTING LIGHTING UNIT FROM PREVIOUS CONTRACT
	LIGHTING CONTROLLER, 240/480V, SINGLE PHASE, 3 WIRE
	100W HPS UNDERPASS LUMINAIRE, 240V (RED PHASE), TYPE IV
	100W HPS UNDERPASS LUMINAIRE, 240V (BLACK PHASE), TYPE IV

EJM ENGINEERING, INC.
411 South Wells Street Suite 1000
Chicago, Illinois 60607

FILE NAME :	USER NAME : rswanson	DESIGNED : JWL	REVISED :
		DRAWN : BHH	REVISED :
	PLOT SCALE = 50.000' / IN.	CHECKED : MKR	REVISED :
	PLOT DATE = 5/3/2013	DATE : 3/29/13	REVISED :

**STATE OF ILLINOIS
DEPARTMENT OF TRANSPORTATION**

**STONY ISLAND
SINGLE LINE DIAGRAM - CONTROLLER "P"**

SCALE: NONE SHEET NO. 1 OF 1 SHEETS STA. TO STA.

F.A.I. RTE.:	SECTION	COUNTY	TOTAL SHEETS	SHEET NO.
94	2012-059-BR	COOK	631	306
ILLINOIS FED. AID PROJECT			CONTRACT NO. 60J12	

LT-28

s:\projects\3810 stony island feeder - bba\project work\cadd sheets\16012-int-light-28.dgn