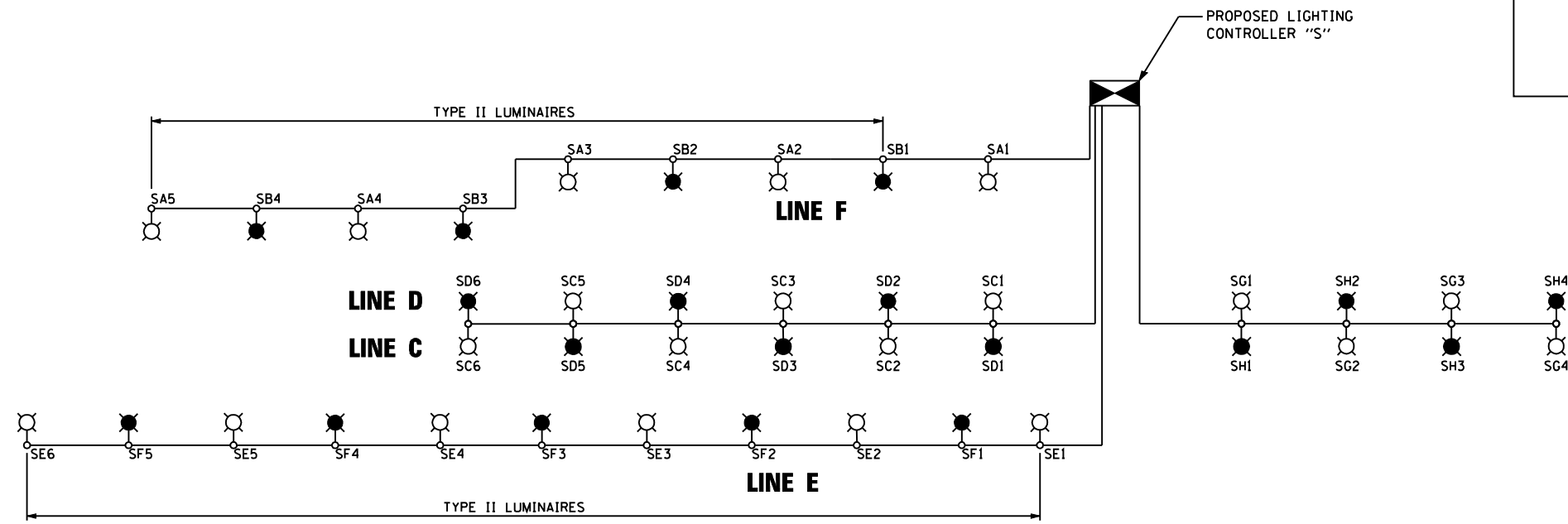
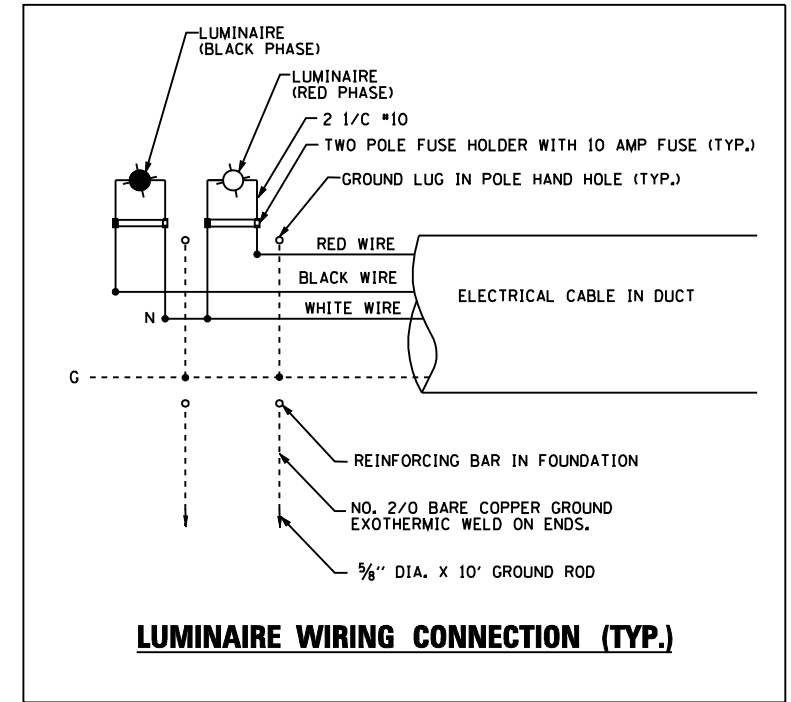


LOAD TABLE LIGHTING CONTROLLER "S" (@ 240 VOLT)					
CIRCUIT	RED PHASE		CIRCUIT	BLACK PHASE	
	AMPS	WATTS		AMPS	WATTS
A	10	2400	B	8	1920
C	12	2880	D	12	2880
E	12	2880	F	10	2400
G	8	1920	H	8	1920
TOTAL	42	10080	TOTAL	48	11520



LEGEND	
	PROPOSED 400W LIGHTING UNIT (RED PHASE) (TYPE III U.N.O.)
	PROPOSED 400W LIGHTING UNIT (BLACK PHASE) (TYPE III U.N.O.)
	EXISTING LIGHTING UNIT FROM PREVIOUS CONTRACT
	LIGHTING CONTROLLER, 240/480V, SINGLE PHASE, 3 WIRE
	100W HPS UNDERPASS LUMINAIRE, 240V (RED PHASE), TYPE IV
	100W HPS UNDERPASS LUMINAIRE, 240V (BLACK PHASE), TYPE IV

**EJM** **EJM ENGINEERING, INC.**  
411 South Wells Street Suite 1000  
Chicago, Illinois 60607

FILE NAME :	USER NAME : rswanson	DESIGNED : JWL	REVISED :
		DRAWN : BHH	REVISED :
	PLOT SCALE = 50.000' / IN.	CHECKED : MKR	REVISED :
	PLOT DATE = 5/3/2013	DATE : 3/29/13	REVISED :

**STATE OF ILLINOIS  
DEPARTMENT OF TRANSPORTATION**

<b>STONY ISLAND</b>	
<b>SINGLE LINE DIAGRAM - CONTROLLER "S"</b>	
SCALE: NONE	SHEET NO. 1 OF 1 SHEETS
STA.	TO STA.

F.A.I. RTE.:	SECTION	COUNTY	TOTAL SHEETS	SHEET NO.
94	2012-059-BR	COOK	631	308
CONTRACT NO. 60J12			ILLINOIS FED. AID PROJECT	

LT-30

s:\projects\3080 stony island feeder - bba\project work\cadd sheets\160J12-int-light-308.dgn