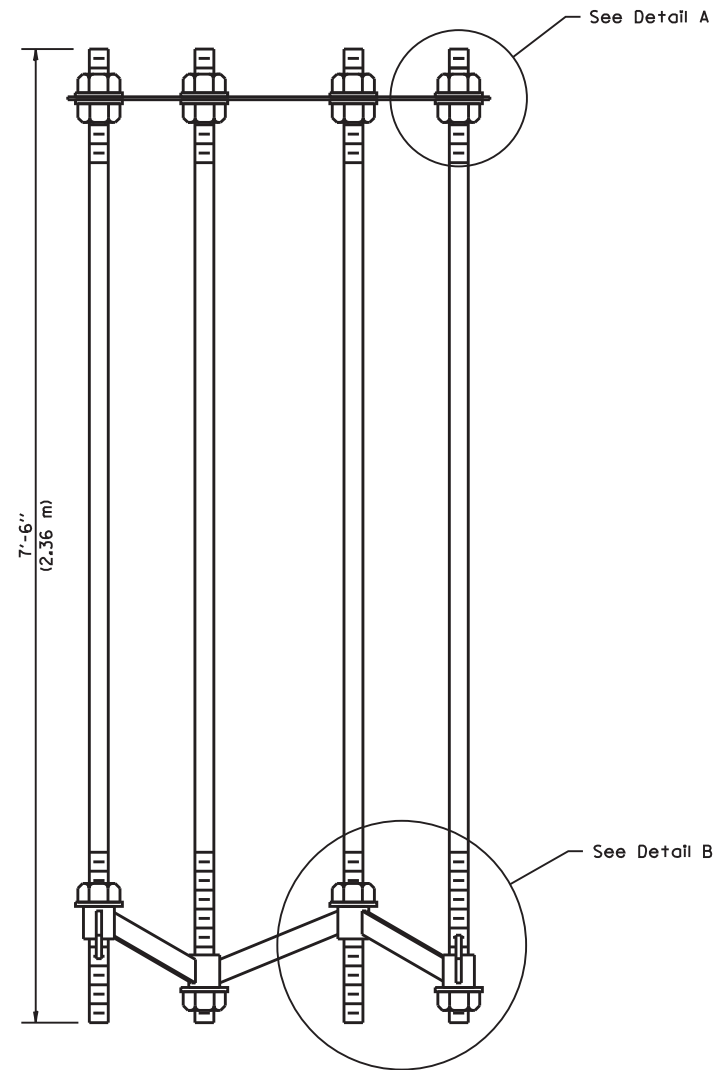
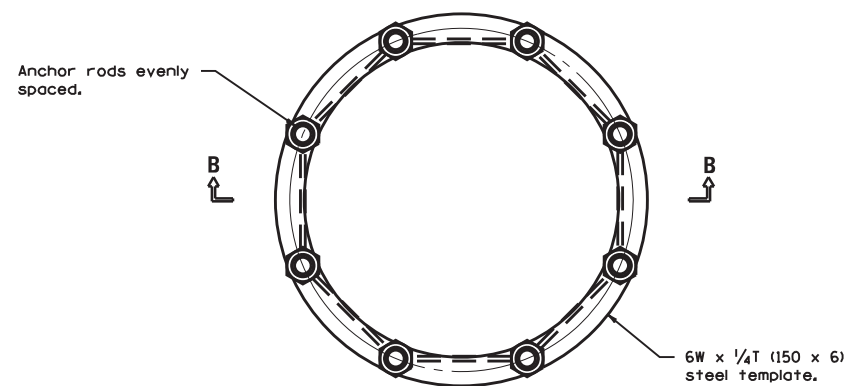


ROD AND REINFORCEMENT TABLE					
TOWER HEIGHT	ANCHOR ROD DIAM. (MIN)	ROD CIRCLE DIAM. (MIN)	TOWER BASE DIAM. (MIN)	DRILLED SHAFT DIAM. ①	V BAR QTY.
80' (25 m)	1 1/2 (38)	30 (760)	24 (610)	4'-0" (1.2 m)	14

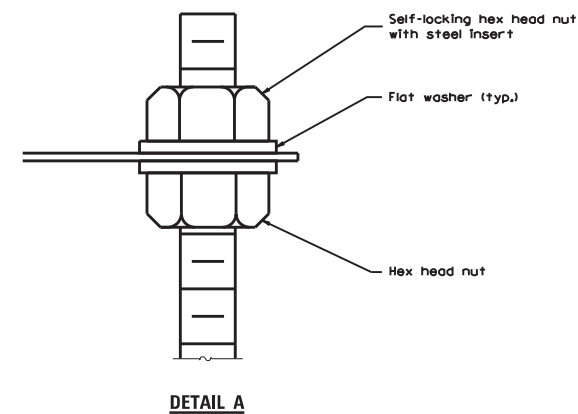
① Diameter based on a 5 (125) conc. cover. The min. cover shall be 3 (75) in dry shaft excavation and 4 (100) in a wet hole. When rock is encountered a 5 (125) cover against soil and a 2 (50) cover against rock shall be required.



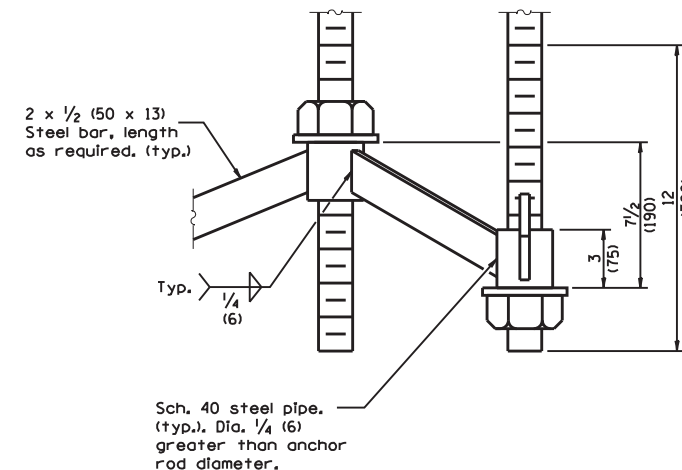
**SECTION B-B**



**ANCHOR ROD CAGE (PLAN)**



**DETAIL A**



**DETAIL B**

**GENERAL NOTES**

Anchor rod quantity, diameter, and length shall be determined by the CCTV structure manufacturer and approved by the Engineer. Each foundation shall have a minimum of 8 anchor rods.

All foundation reinforcement steel shall be epoxy coated.

The cost of reinforcement shall be included in the cost of the foundation.

Steel anchor rod forms shall not be removed for a minimum of 3 days after concrete is poured. The tower shall not be set for a minimum of 7 days or as approved by the Engineer.

Coordinate the rod circle diameter of the structure with the diameter of the anchor rod cage.

The foundation shall be poured monolithically and shall have no construction joints.

Grounding electrodes shall be installed in an access well when there is a conflict in using the method shown.

All dimensions are in inches (millimeters) unless otherwise shown.

FILE NAME =	USER NAME = tomsonsr	DESIGNED -	REVISED -
et:\pw\work\p1dot\tomsonsr\d0333363\CCVDetails.dgn		DRAWN -	REVISED -
\$MODELNAME\$	PLOT SCALE = 2.0000' / in.	CHECKED -	REVISED -
	PLOT DATE = 3/7/2013	DATE -	REVISED -

**STATE OF ILLINOIS  
DEPARTMENT OF TRANSPORTATION**

**CCTV CAMERA STRUCTURE, 80 FT. M.H.  
FOUNDATION, SHEET 2 OF 2**

SCALE: NONE SHEET 9 OF 9 SHEETS STA. TO STA.

F.A. RTE.	SECTION	COUNTY	TOTAL SHEETS	SHEET NO.
94	2012-059-BR	COOK	631	356
CONTRACT NO.			60J12	
ILLINOIS FED. AID PROJECT				