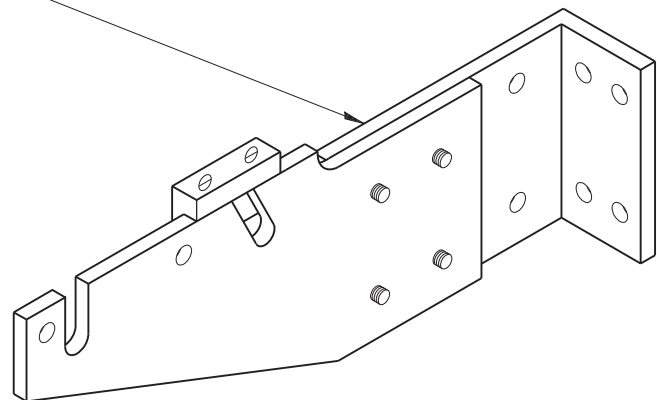
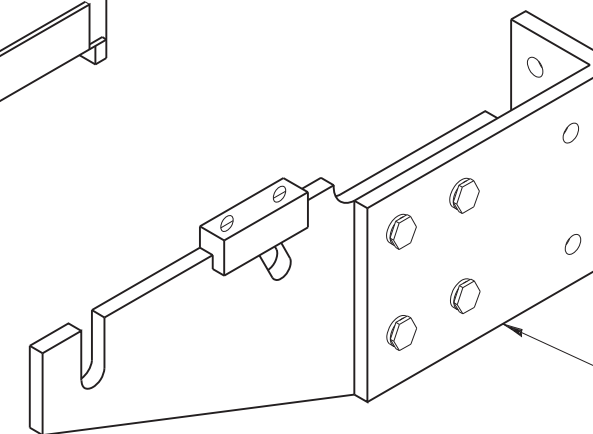
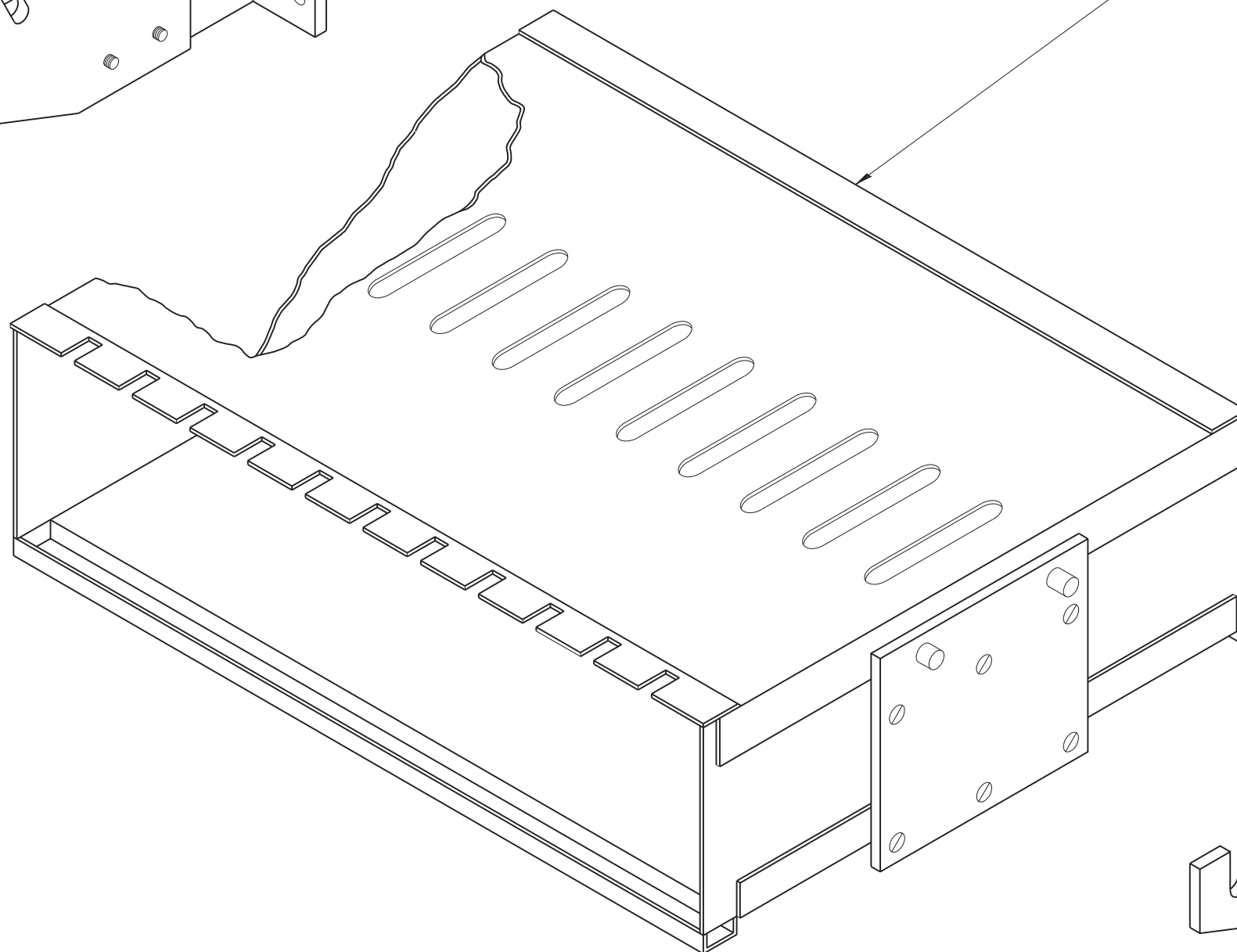


CRADLE



II MODULE MOUNTING FRAME  
(FOR II TYPE "A" PLUG-IN TYPE TONE MODULES)



CRADLE

NOTE:

TYPE "A" TONE MODULES ARE PLUG  
IN UNIT MEASURING 5-7/32" (132.55 mm) X 1.5" (38.1 mm) X 13-3/4" (349.25 mm)

ITS-35

FILE NAME =	USER NAME = mezag	DESIGNED - R.L.	REVISED - 06/94
et:\pw\work\p1dot\mezag\d0287541\TSCTYP.dgn		DRAWN - G.M.	REVISED - 09/96
	PLOT SCALE = 100.0000' / in.	CHECKED - R.L.	REVISED -
	PLOT DATE = 12/6/2012	DATE - 06/21/94	REVISED -

STATE OF ILLINOIS  
DEPARTMENT OF TRANSPORTATION  
TRAFFIC SYSTEMS CENTER

FIELD MOUNTING FRAME  
WITH CRADLE ASSEMBLY

SCALE: NONE SHEET NO. 3 OF 16 SHEETS STA. TO STA.

F.A. RTE.	SECTION	COUNTY	TOTAL SHEETS	SHEET NO.
94	2012-059-BR	COOK	631	362
CONTRACT NO.			60J12	

FED. ROAD DIST. NO. ILLINOIS FED. AID PROJECT

TRAFFIC SYSTEMS CENTER (TY-1TSC-400#6)