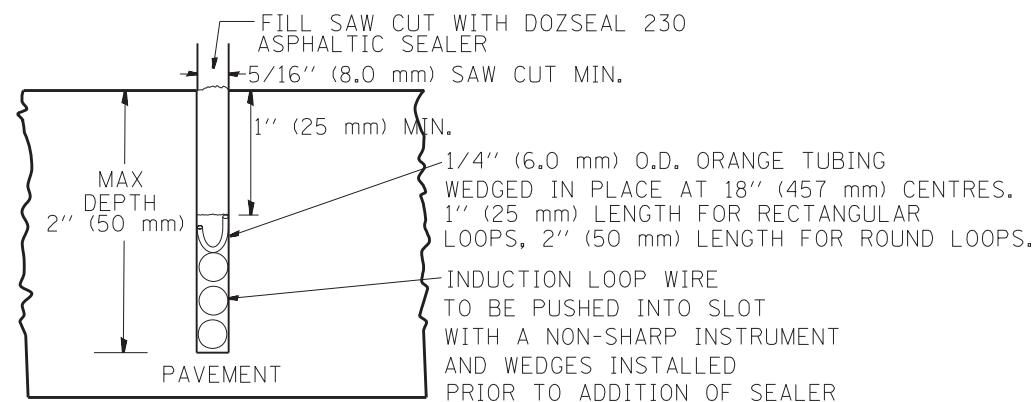
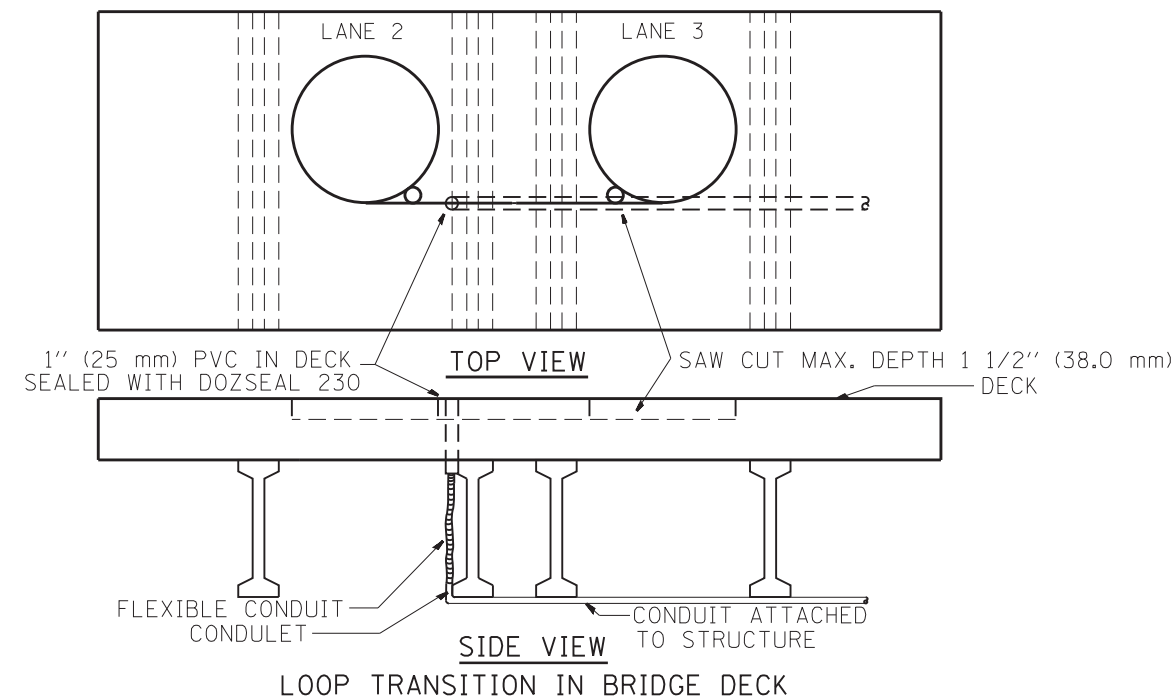
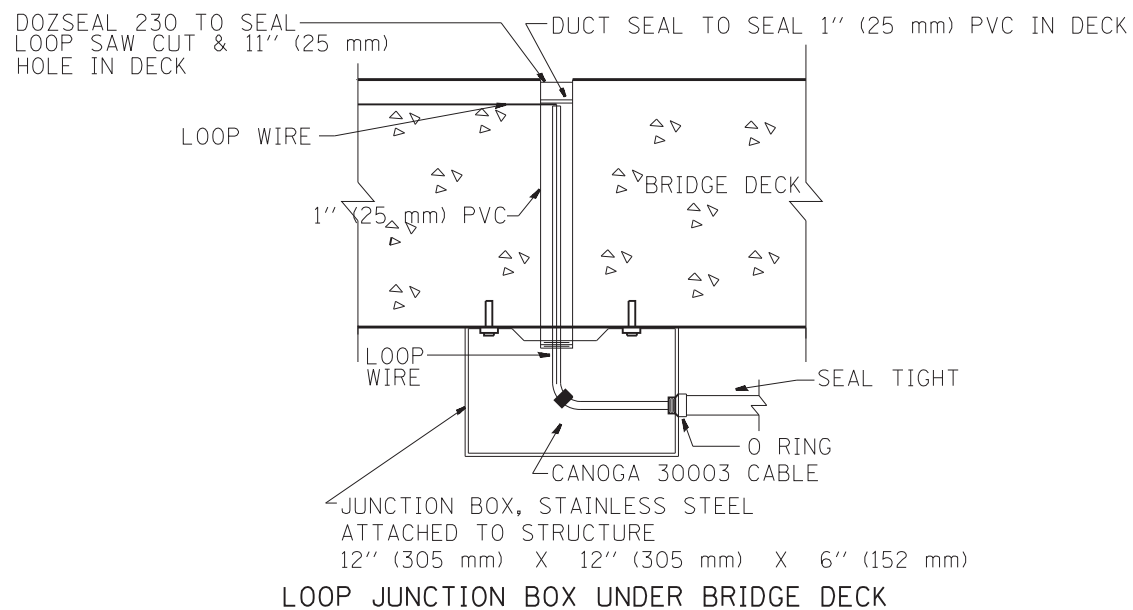
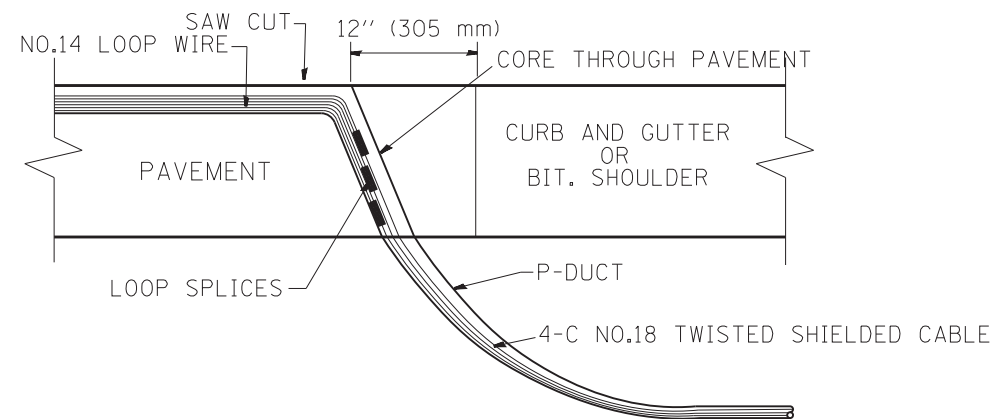


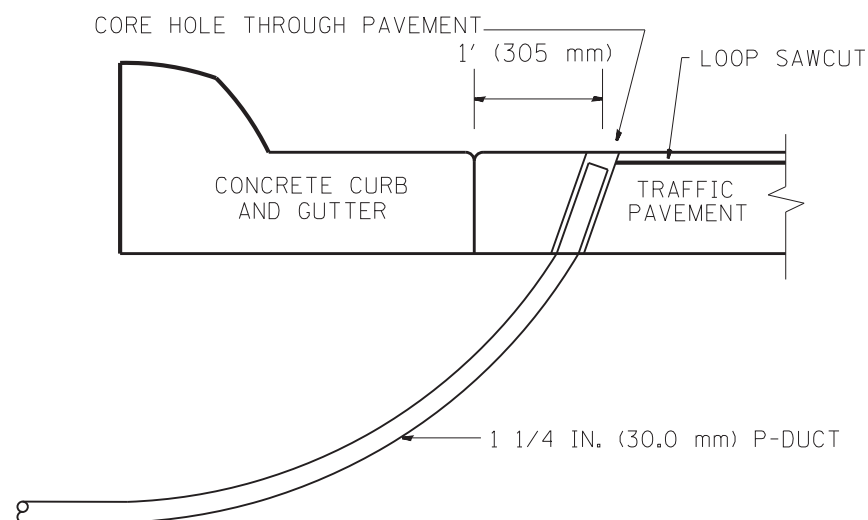
TYPICAL LOOP SAWCUT LAYOUT



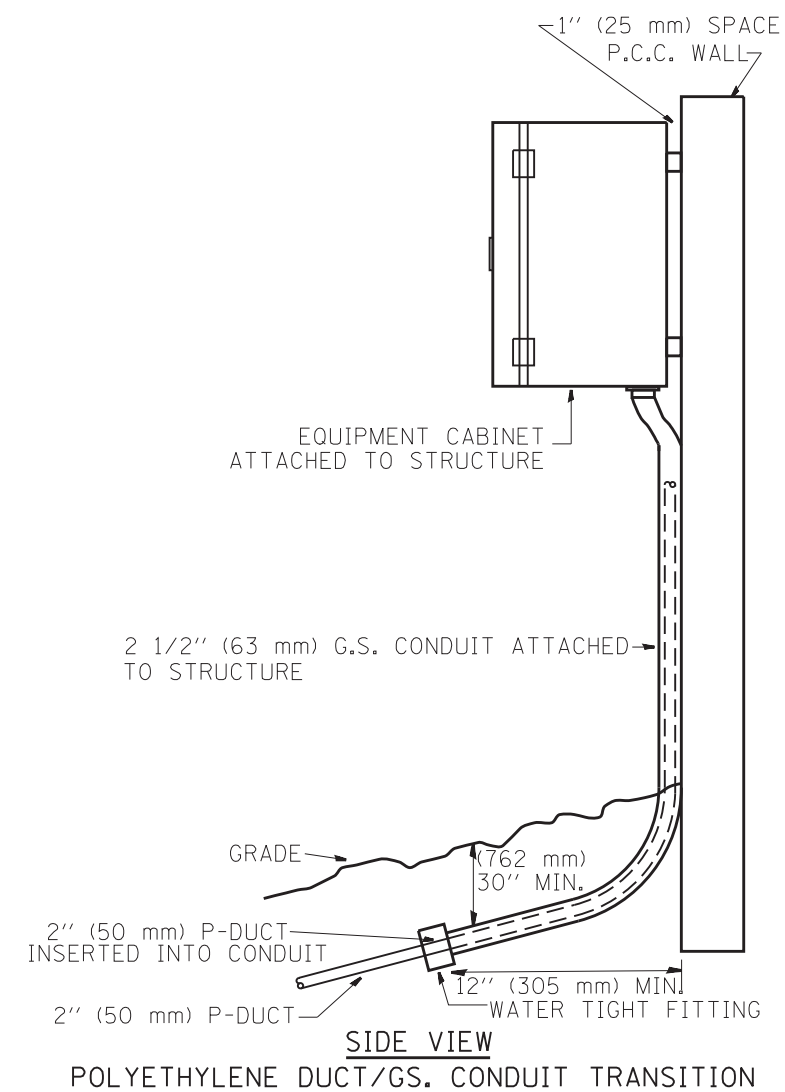
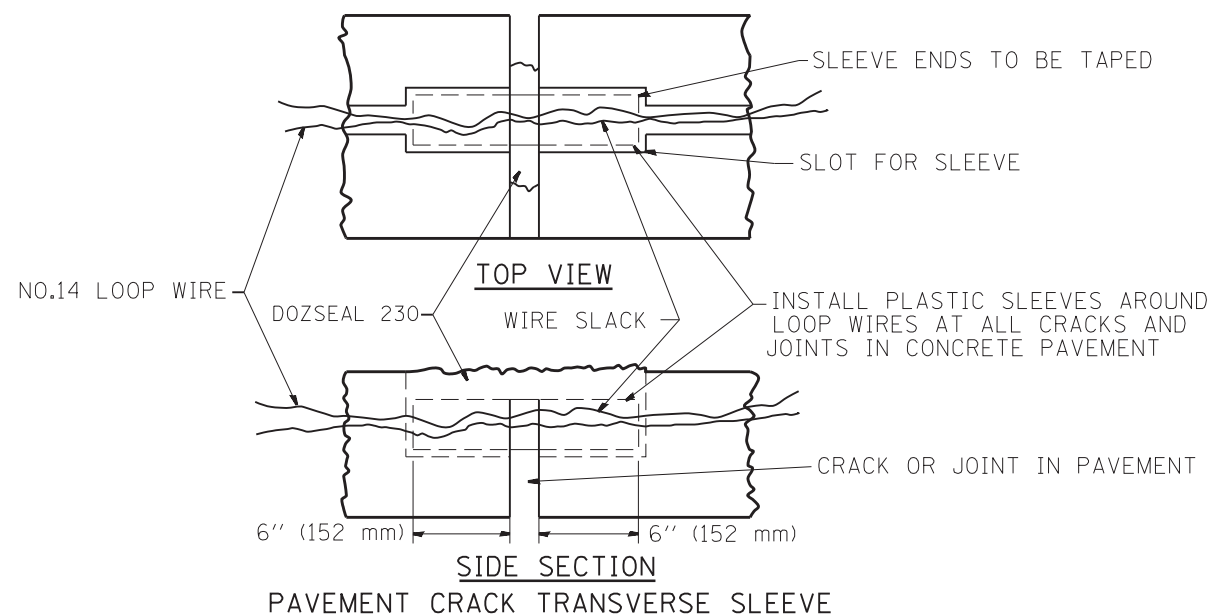
LOOP CROSS SECTION IN PAVEMENT



MULTIPLE LOOP SPLICING



SIDE SECTION LOOP LEAD-IN TRANSITION DETAIL



FILE NAME =	USER NAME = mezag	DESIGNED - R.L.	REVISED - 06/94
es:\pw\work\p\idot\mezag\d0287541\TSCTYP.dgn		DRAWN - G.M.	REVISED - 03/95
	PLOT SCALE = 100.0000' / in.	CHECKED - R.L.	REVISED - 11/95
	PLOT DATE = 12/6/2012	DATE - 06/22/94	REVISED - 10/96

STATE OF ILLINOIS
DEPARTMENT OF TRANSPORTATION
TRAFFIC SYSTEMS CENTER

LOOP, CONDUIT & DUCT
INSTALLATION DETAILS

SCALE: NONE SHEET NO. 6 OF 16 SHEETS STA. TO STA.

F.A. RTE.	SECTION	COUNTY	TOTAL SHEETS	SHEET NO.
94	2012-059-BR	COOK	631	365
CONTRACT NO.			60J12	
FED. ROAD DIST. NO. ILLINOIS FED. AID PROJECT				