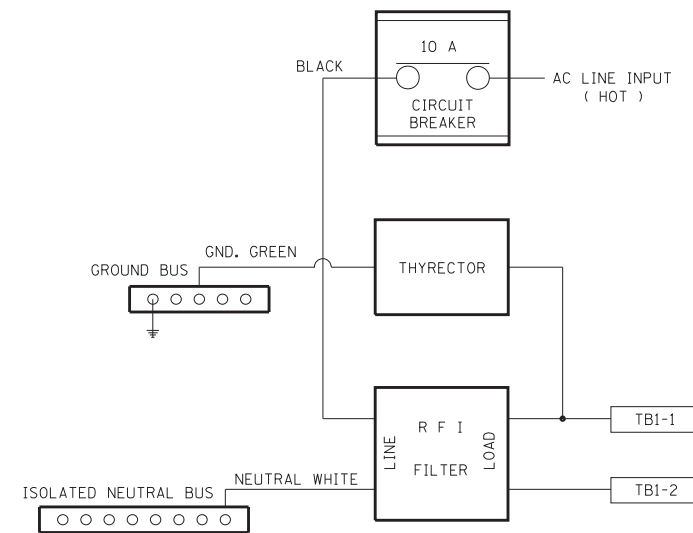
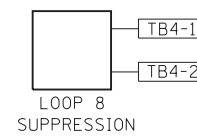
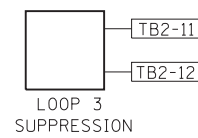
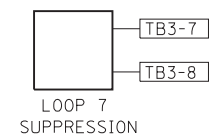
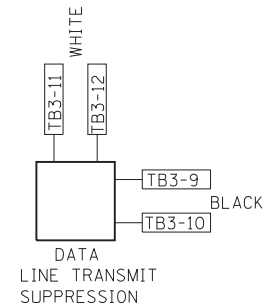
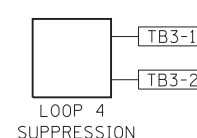
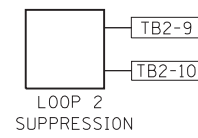
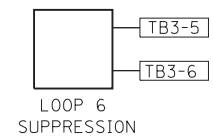
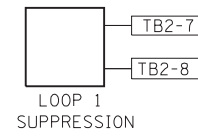
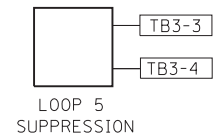
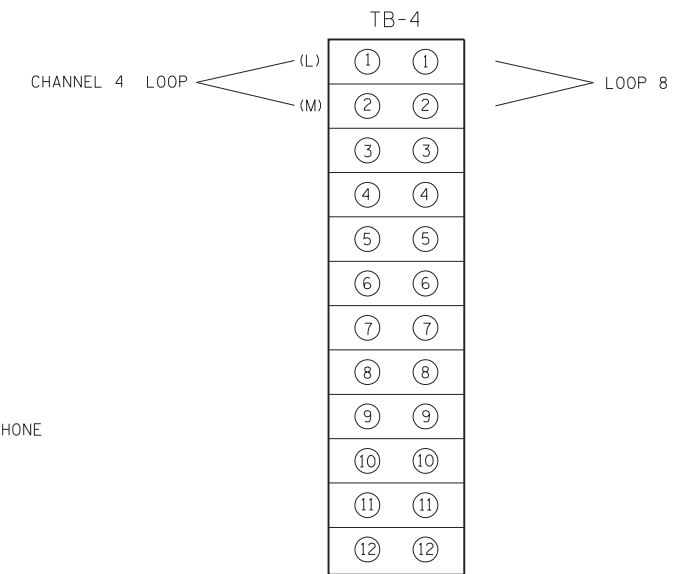
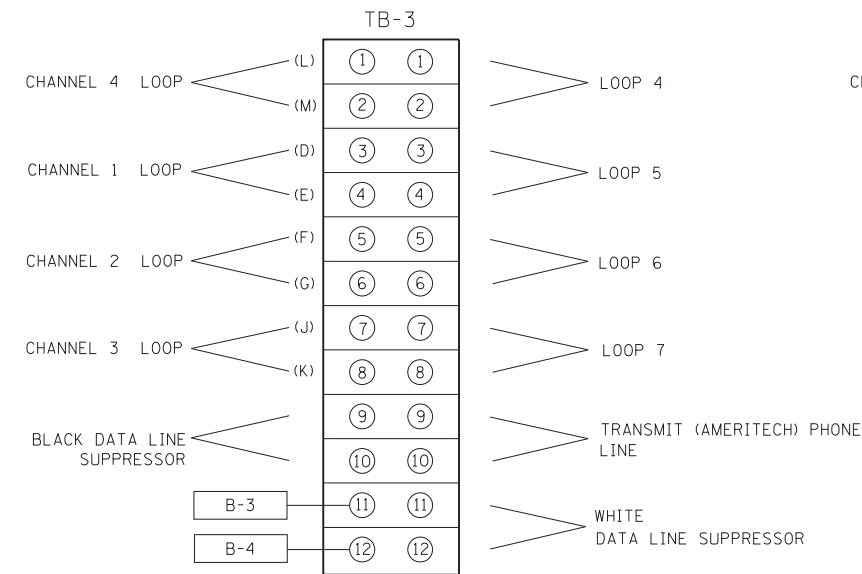
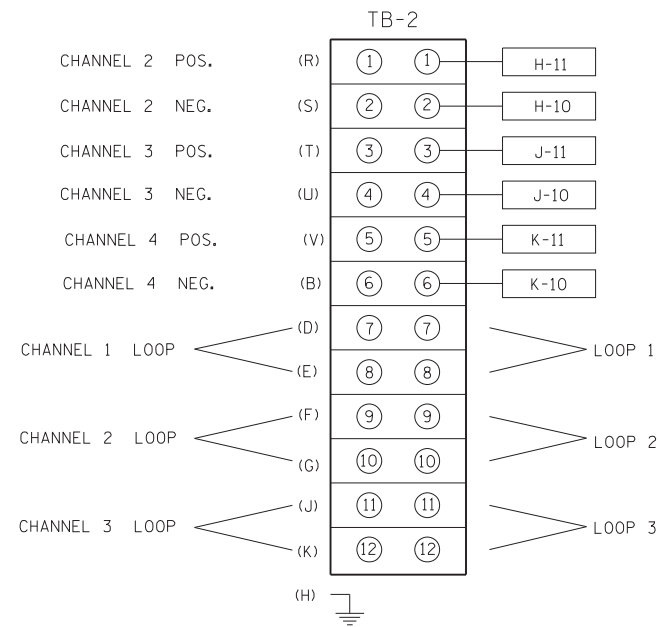
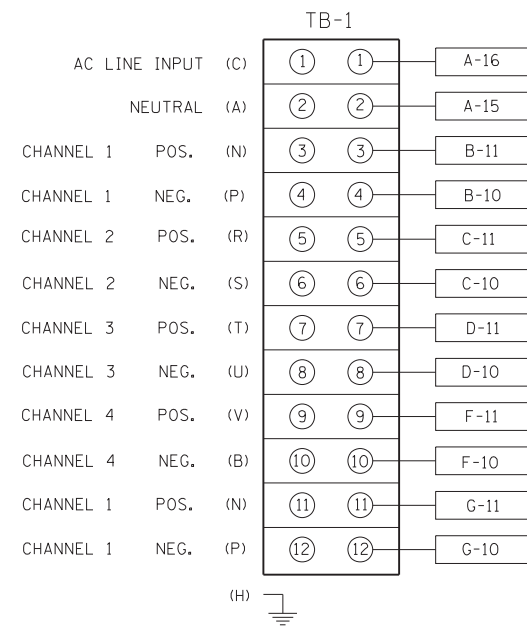
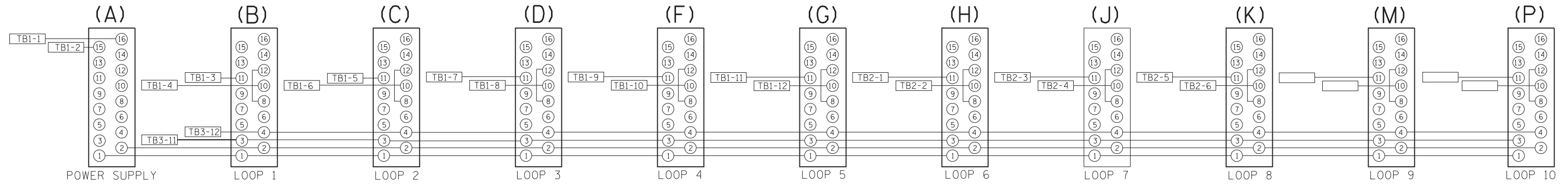


# BACK VIEW OF TONE RACK



FILE NAME =	USER NAME = mezag	DESIGNED - R.L.	REVISED - 02-98
et:\pw\work\pidot\mezag\d0287541\TSCTYP.dgn		DRAWN - G.M.	REVISED - 05-99
	PLOT SCALE = 100.0000' / in.	CHECKED - R.L.	REVISED -
	PLOT DATE = 12/6/2012	DATE - 10-17-95	REVISED -

STATE OF ILLINOIS  
DEPARTMENT OF TRANSPORTATION  
TRAFFIC SYSTEMS CENTER

TYPE 3 CABINET  
WIRING DIAGRAM  
SCALE: NONE SHEET NO. 10 OF 16 SHEETS STA. TO STA.

F.A. RTE.	SECTION	COUNTY	TOTAL SHEETS	SHEET NO.
94	2012-059-BR	COOK	631	369
CONTRACT NO.			60J12	
FED. ROAD DIST. NO. ILLINOIS FED. AID PROJECT				

ITS-42

TRAFFIC SYSTEMS CENTER (TY-1TSC-400#13)