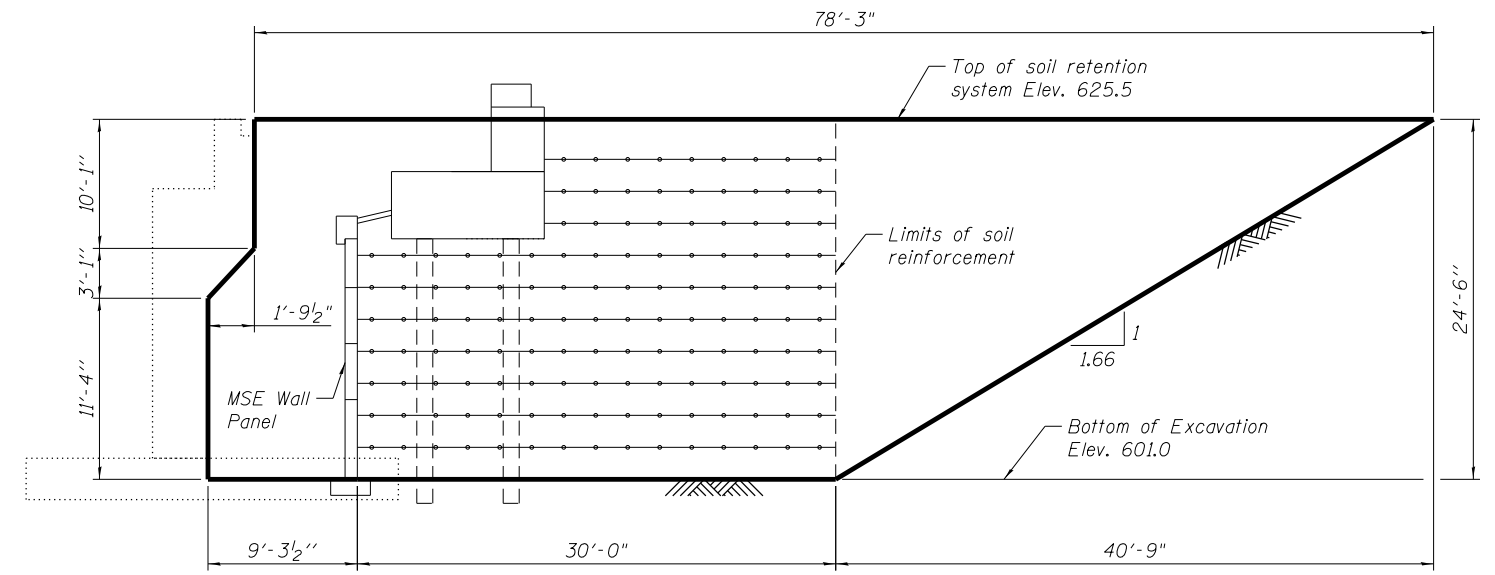
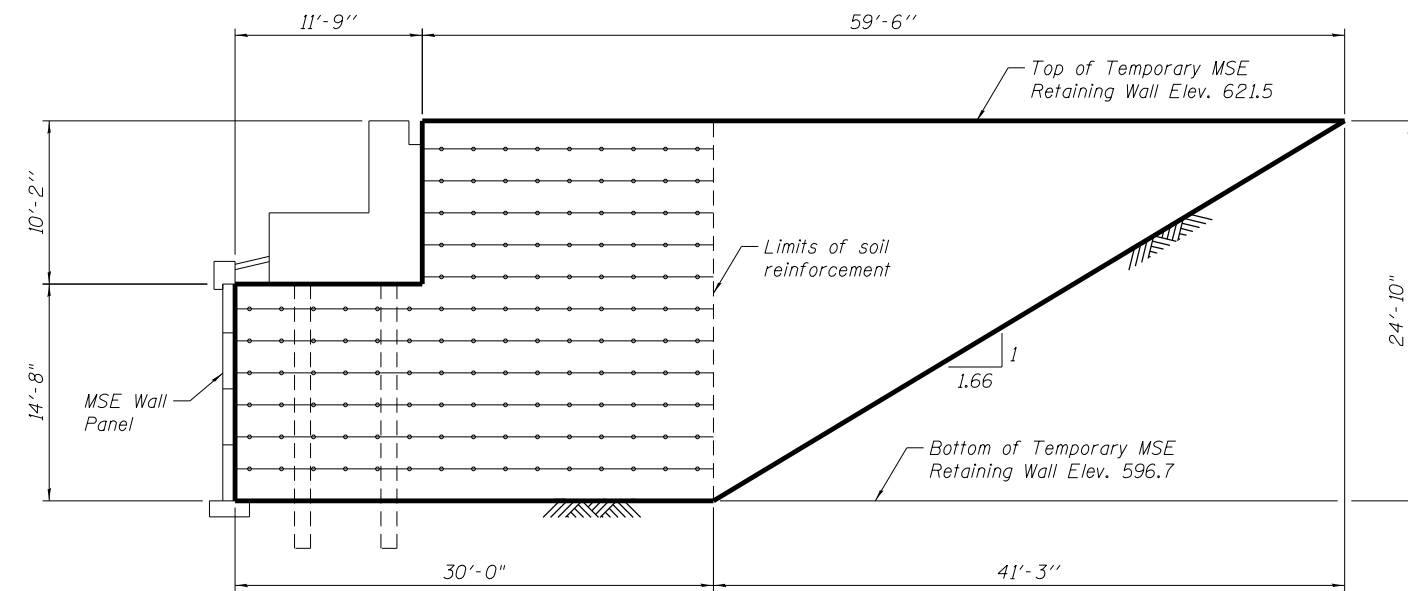


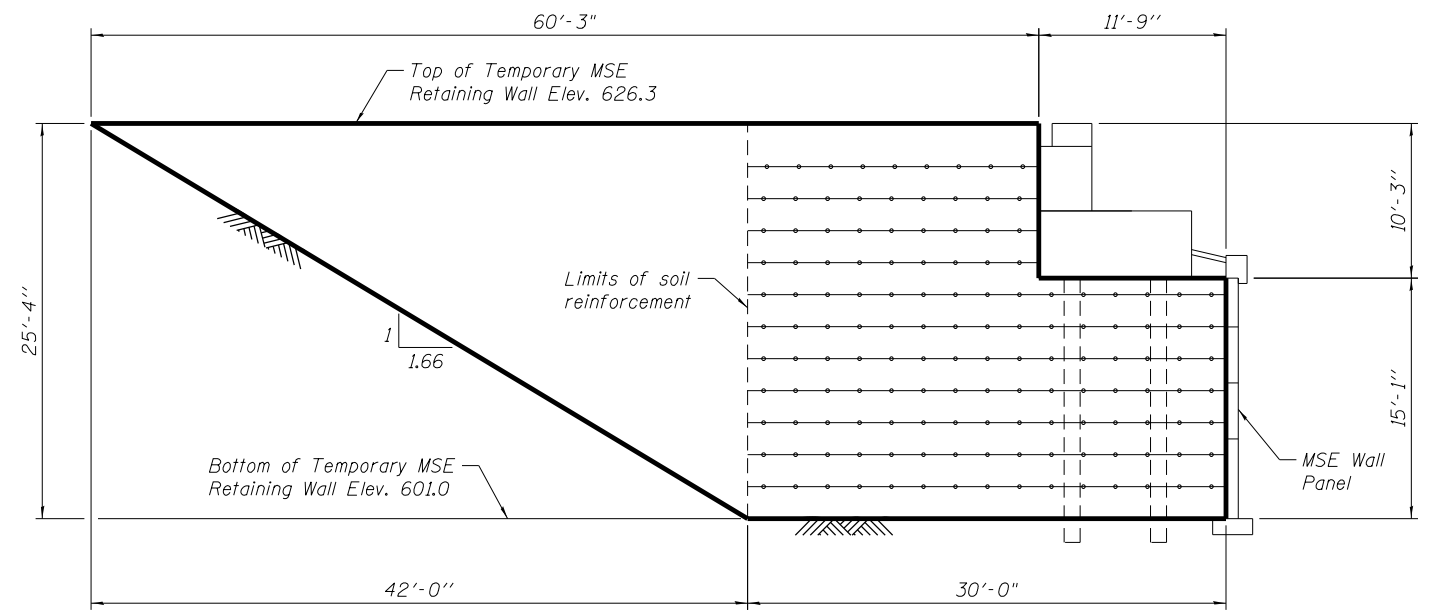
**WEST ABUTMENT TEMPORARY SOIL RETENTION SYSTEM**  
(Looking North)



**EAST ABUTMENT TEMPORARY SOIL RETENTION SYSTEM**  
(Looking North)



**WEST ABUTMENT TEMPORARY MSE RETAINING WALL**  
(Looking South)



**EAST ABUTMENT TEMPORARY MSE RETAINING WALL**  
(Looking South)

**Notes:**

A cantilevered sheet piling design does not appear feasible and additional members or other retention systems may be necessary. The Contractor shall submit a temporary soil retention system design including plan details and calculations for review and acceptance by the Engineer.

The Contractor shall design the face of the temporary MSE retaining walls to permit attachment of straps from the permanent MSE walls in acute corners as applicable.

See MSE wall shop drawings for actual limits of soil reinforcement.

**BILL OF MATERIAL**

ITEM	UNIT	QUANTITY
Temporary Soil Retention System	Sq. Ft.	2,850
Temporary Mechanically Stabilized Earth Retaining Wall	Sq. Ft.	2,320

2/21/27 PM

3/29/2013

S:\1072\_05\_CADD\Structure\1\SN\_0162470\CADD Sheets\0162470-60J12-004-C502.dgn

BOWMAN, BARRETT & ASSOCIATES INC.  
CONSULTING ENGINEERS  
Chicago, Illinois  
312.228.0100  
www.bbandainc.com



USER NAME =	DESIGNED - JGC	REVISOR -
PLOT SCALE =	CHECKED - BAK	REVISIONS -
PLOT DATE = 03/29/2013	DRAWN - JGC	REVISIONS -
	CHECKED - TL	REVISIONS -

STATE OF ILLINOIS  
DEPARTMENT OF TRANSPORTATION

CONSTRUCTION STAGING DETAILS II  
STRUCTURE NO. 016-2470

SHEET NO. S-4 OF S-53 SHEETS

F.A.I. RTE.	SECTION	COUNTY	TOTAL SHEETS	SHEET NO.
94	2012-059-BR	COOK	631	379
CONTRACT NO. 60J12				
ILLINOIS FED. AID PROJECT				