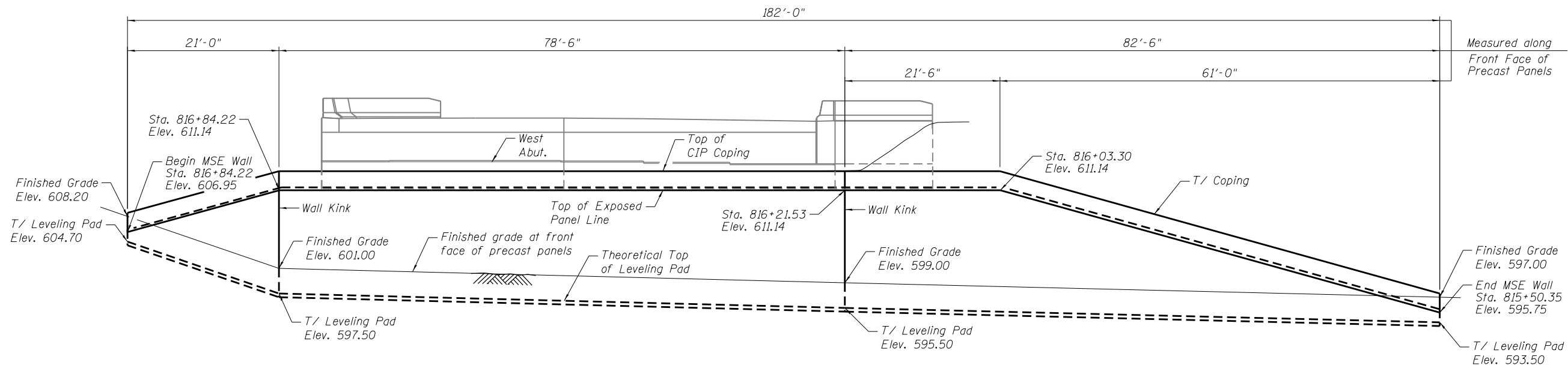


MSE WALL PLAN - WEST ABUTMENT

NOTES:

1. Stations and offsets are given to front face of precast panels relative to EB Stony Island Connector.
2. See Sheet S-27 for Sections A-A and B-B.



MSE WALL ELEVATION - WEST ABUTMENT
(Looking West)

BILL OF MATERIAL

Item	Unit	Quantity
Mechanically Stabilized Earth Retaining Wall	Sq. Ft.	2,220
Structure Excavation	Cu. Yd.	1,481

2/21/14 PM

3/29/2013

S:\1072_05_CADD\Structure\1\SN_0162470\CADD_Sheets\0162470-60J12-025-MSE01.dgn

BOWMAN, BARRETT & ASSOCIATES INC.
CONSULTING ENGINEERS
Chicago, Illinois
312.228.0100
www.bbainc.com



USER NAME =	DESIGNED - TL	REVISED -
	CHECKED - BAK	REVISED -
PLOT SCALE =	DRAWN - TL	REVISED -
PLOT DATE = 03/29/2013	CHECKED - BAK	REVISED -

STATE OF ILLINOIS
DEPARTMENT OF TRANSPORTATION

WEST ABUTMENT MSE RETAINING WALL
STRUCTURE NO. 016-2470

SHEET NO. S-25 OF S-53 SHEETS

F.A.I. RTE.	SECTION	COUNTY	TOTAL SHEETS	SHEET NO.
94	2012-059-BR	COOK	631	400
CONTRACT NO. 60J12				
ILLINOIS FED. AID PROJECT				