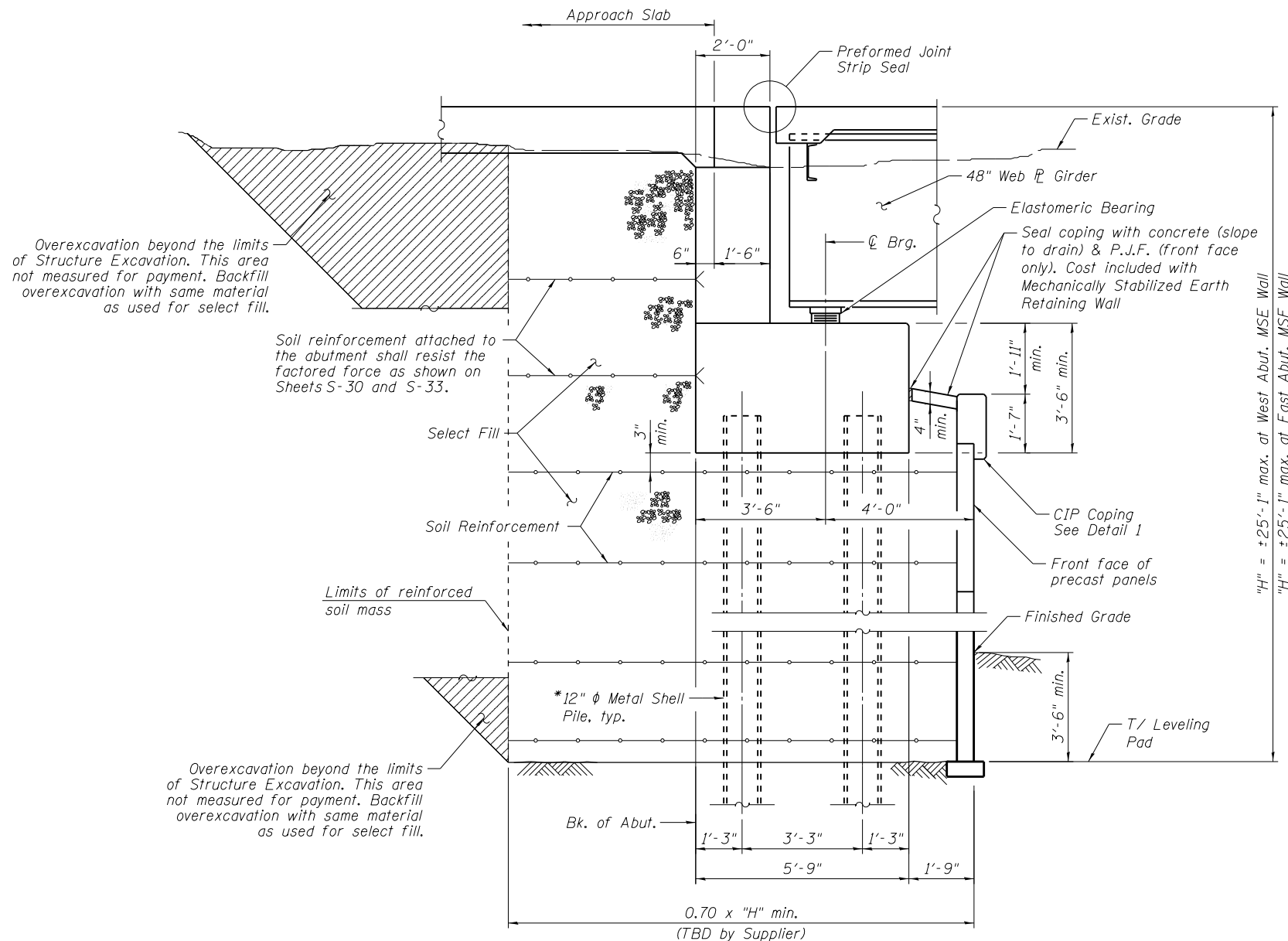


2/21/35 PM

3/29/2013

S:\1072_05_CADD\Structure\1\SN 0162470\CADD Sheets\0162470-60J12-027-MSE03.dgn



SECTION A-A

(Horizontal Dimensions @ Rt. L's)

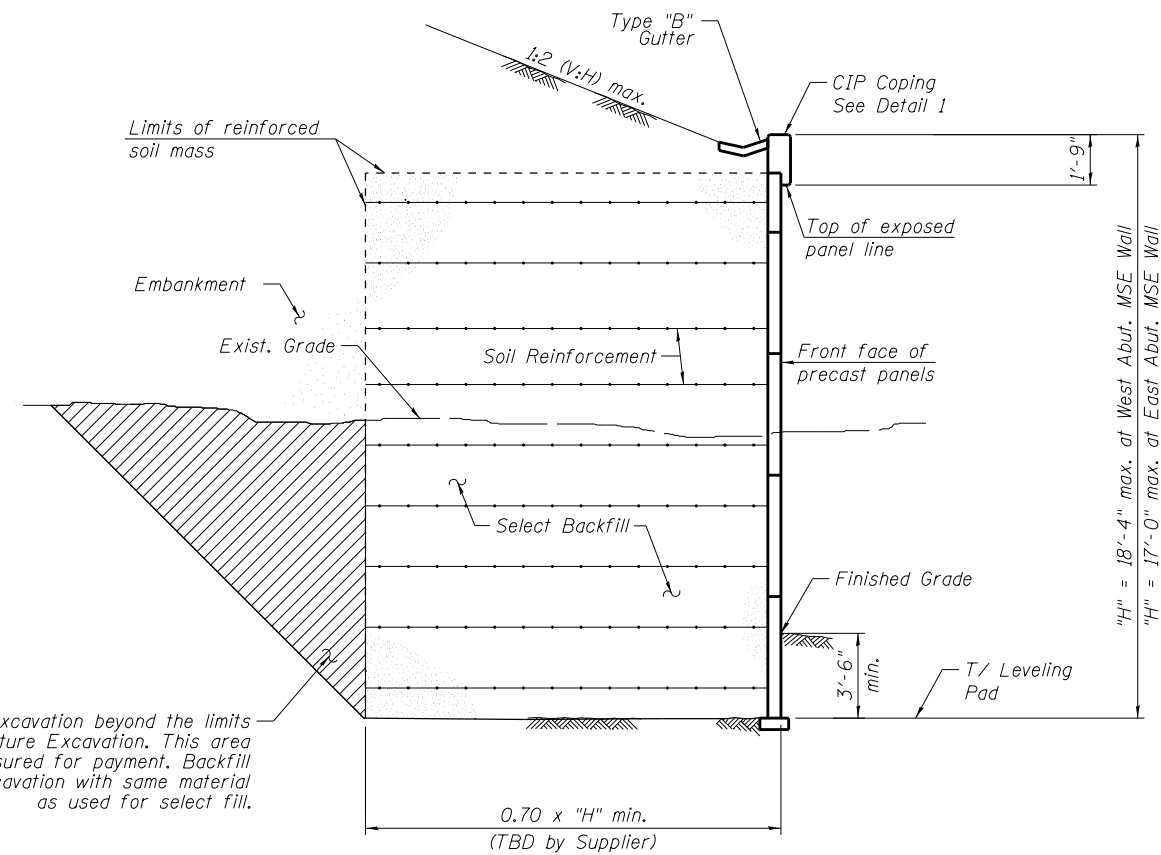
Overexcavation beyond the limits of Structure Excavation. This area not measured for payment. Backfill overexcavation with same material as used for select fill.

Soil reinforcement attached to the abutment shall resist the factored force as shown on Sheets S-30 and S-33.

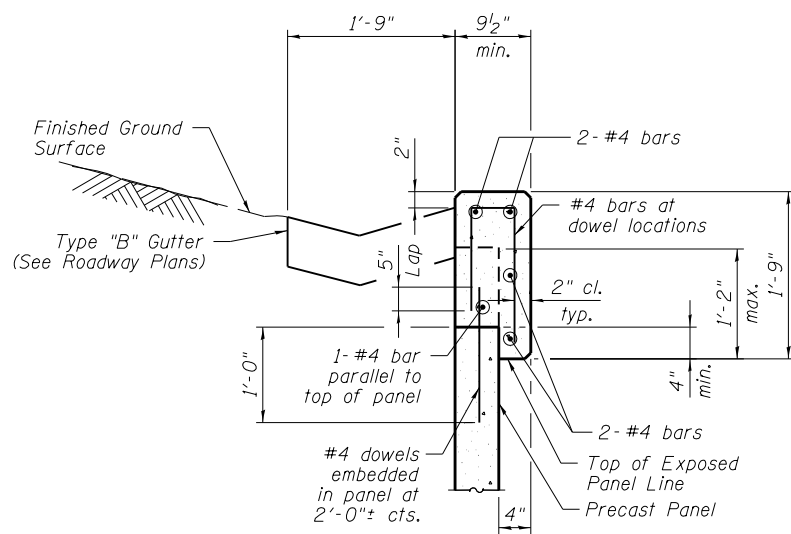
Limits of reinforced soil mass

Overexcavation beyond the limits of Structure Excavation. This area not measured for payment. Backfill overexcavation with same material as used for select fill.

Overexcavation beyond the limits of Structure Excavation. This area not measured for payment. Backfill overexcavation with same material as used for select fill.



SECTION B-B



DETAIL 1

*Piles shall be driven prior to placement of the reinforced select fill and coated with coal tar epoxy from the bottom of the select fill to 1" above the base of the abutment. The cost of the coal tar epoxy coating shall be included with the cost of Furnishing Metal Shell Piles 12" X 0.250".

Notes:

The factored soil bearing resistance at the top of leveling pad elevation for the MSE wall = 4.0 ksf. The applied factored MSE wall bearing pressure must be less than the factored soil bearing resistance. See MSE wall shop drawings for equivalent uniform applied bearing pressure.

The Contractor shall design and construct the MSE wall accounting for the proposed piles and any other appurtenances within the limits of the reinforced soil mass.

BOWMAN, BARRETT & ASSOCIATES INC.
CONSULTING ENGINEERS
Chicago, Illinois
312.228.0100
www.bbainc.com

| | | |
|------------------------|---------------|-----------|
| USER NAME = | DESIGNED - TL | REVISED - |
| | CHECKED - BAK | REVISED - |
| PLOT SCALE = | DRAWN - MTR | REVISED - |
| PLOT DATE = 03/29/2013 | CHECKED - TL | REVISED - |

STATE OF ILLINOIS
DEPARTMENT OF TRANSPORTATION

MSE RETAINING WALL DETAILS
STRUCTURE NO. 016-2470

SHEET NO. S-27 OF S-53 SHEETS

| F.A.I. RTE. | SECTION | COUNTY | TOTAL SHEETS | SHEET NO. |
|--------------------|-------------|--------|--------------|-----------|
| 94 | 2012-059-BR | COOK | 631 | 402 |
| CONTRACT NO. 60J12 | | | | |

ILLINOIS FED. AID PROJECT