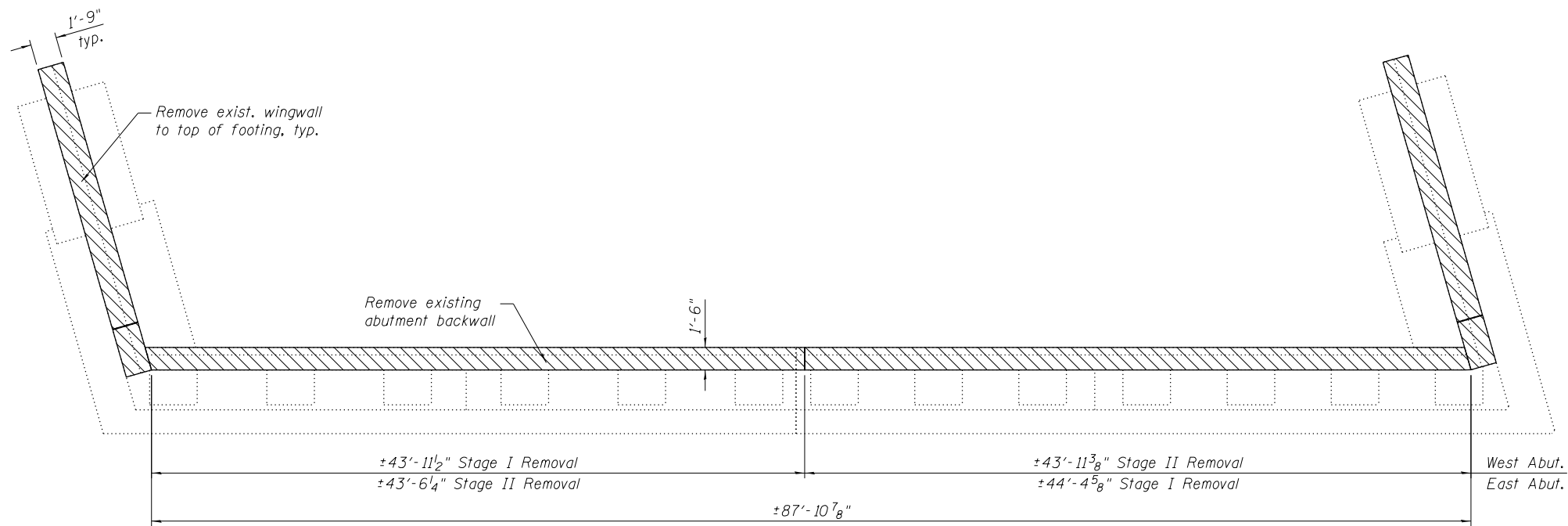


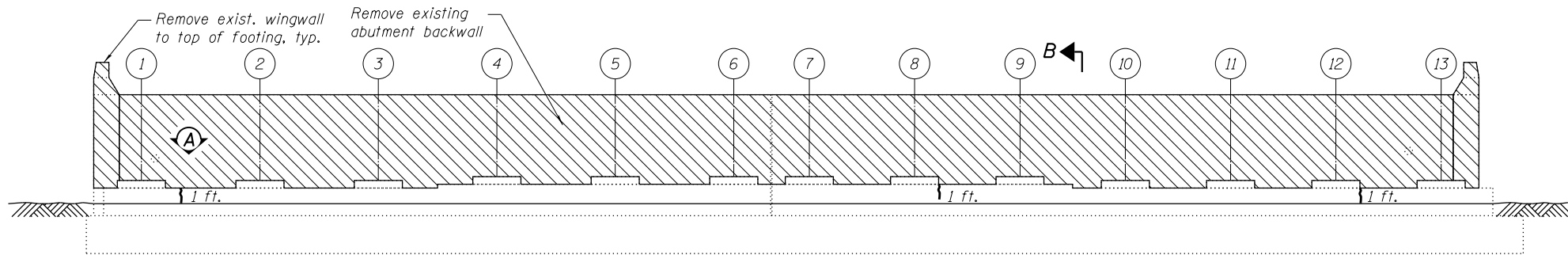
2:48:29 PM

4/18/2013

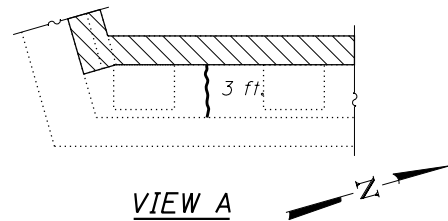
S:\1072_05_CADD\Structure\1 SN 0162440.CADD Sheet\0162440-60J12-028-AB01.dgn



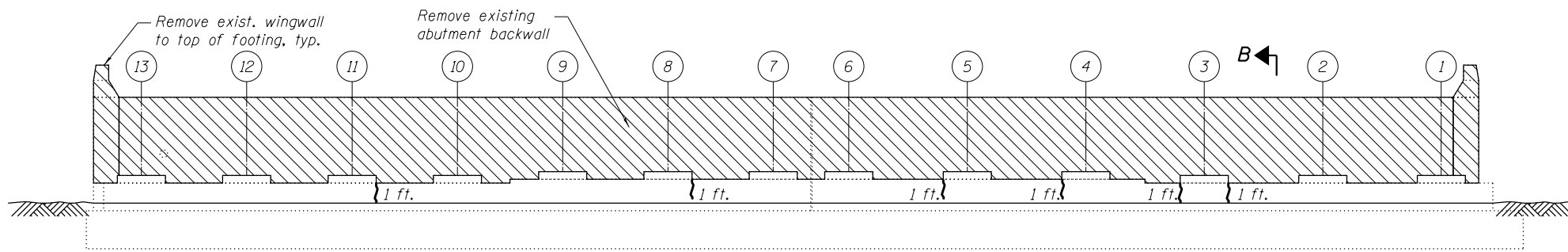
WEST ABUTMENT PLAN
(East Abutment similar)



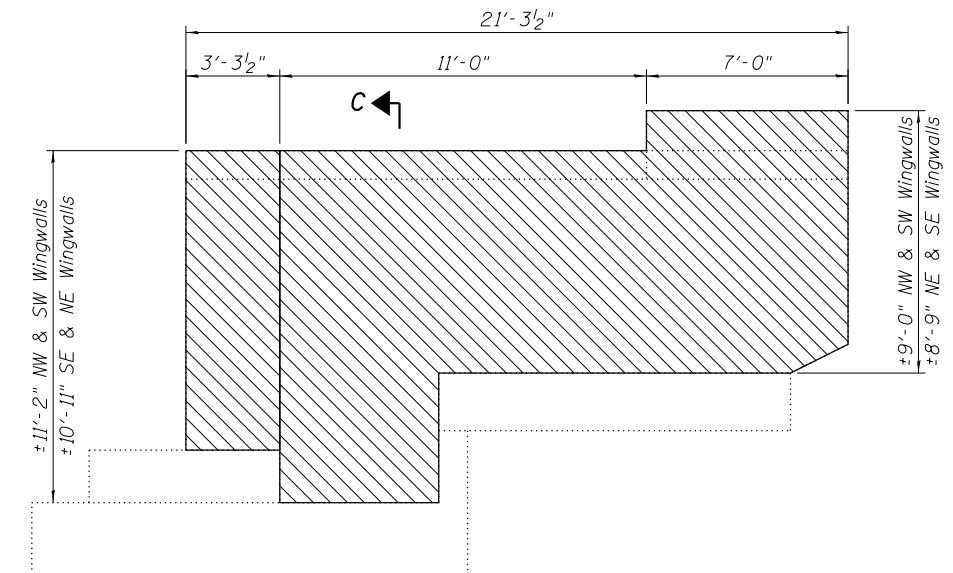
WEST ABUTMENT ELEVATION
(Looking West)



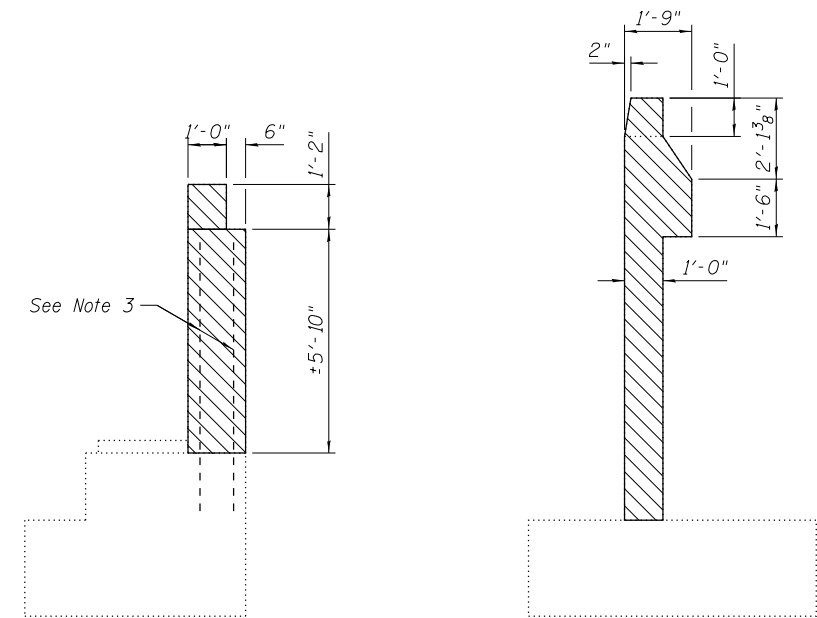
VIEW A



EAST ABUTMENT ELEVATION
(Looking East)



TYPICAL WINGWALL ELEVATION



SECTION B-B

SECTION C-C

NOTES:

- Actual quantities of repairs shall be approved by the Engineer.
- Any existing reinforcement to remain that is damaged during removal operations shall be replaced with an approved bar splicer or anchorage system at no additional cost.
- Existing vertical backwall reinforcement extending into removal area shall be cleaned and incorporated into the new construction. Cost included with Concrete Removal.
- Remove existing steel handrail components mounted on top of wingwalls. Cost included with Concrete Removal.

LEGEND

- Concrete Removal
- Epoxy Crack Injection

BILL OF MATERIAL

ITEM	UNIT	QUANTITY
Concrete Removal	Cu. Yd.	103.4
Epoxy Crack Injection	Foot	12
Cleaning Bridge Seats	Sq. Ft.	516

BOWMAN, BARRETT & ASSOCIATES INC.
CONSULTING ENGINEERS
Chicago, Illinois
312.228.0100
www.bbainc.com



USER NAME =
PLOT SCALE =
PLOT DATE = 03/29/2013

DESIGNED - TL
CHECKED - BAK
DRAWN - MTR
CHECKED - TL

REVISED -
REVISED -
REVISED -
REVISED -

STATE OF ILLINOIS
DEPARTMENT OF TRANSPORTATION

ABUTMENT REMOVAL AND REPAIR DETAILS
STRUCTURE NO. 016-2440

SHEET NO. S-29 OF S-47 SHEETS

F.A.I. RTE.	SECTION	COUNTY	TOTAL SHEETS	SHEET NO.
94	2012-059-BR	COOK	631	457
CONTRACT NO. 60J12				

ILLINOIS FED. AID PROJECT