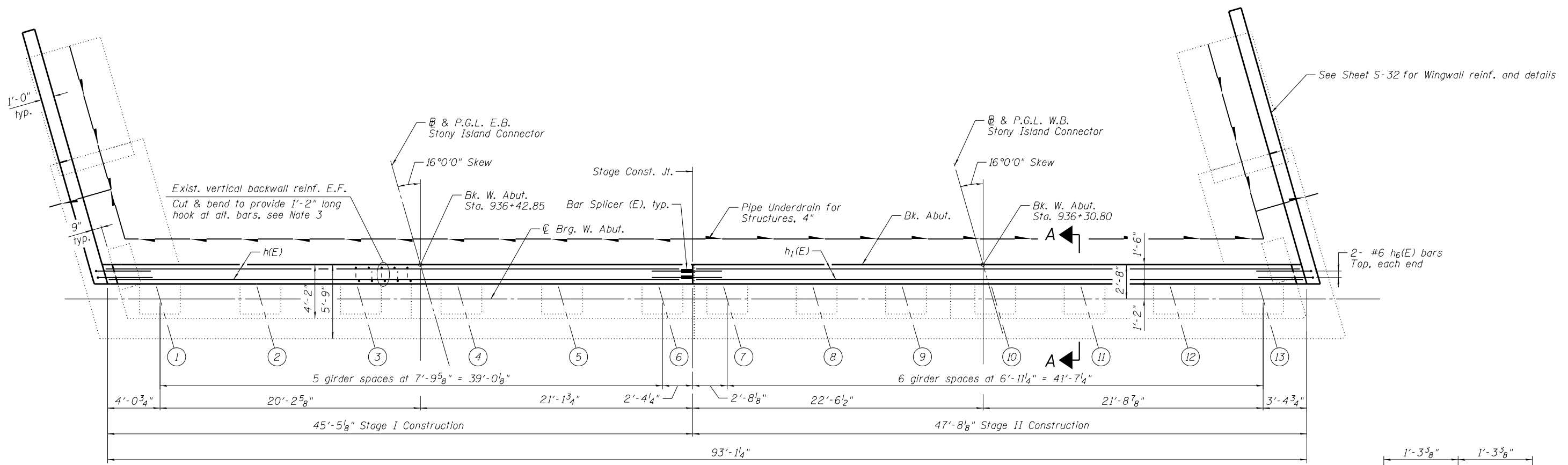


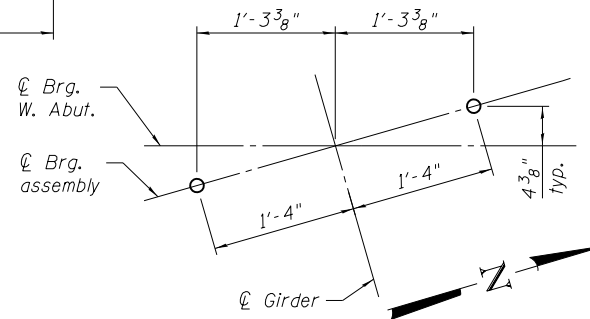
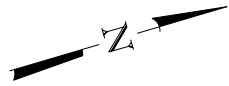
2:48:30 PM

4/18/2013

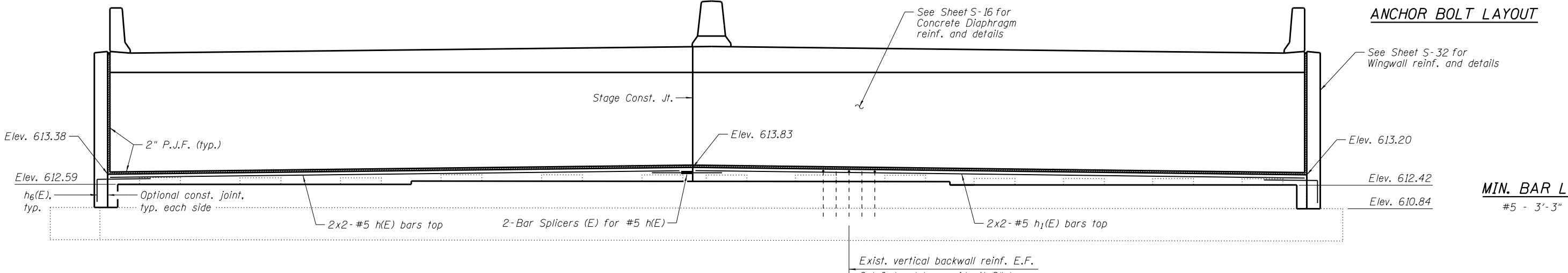
S:\1072_05_CADD\Structure\1 SN 0162440\CADD Sheets\0162440-60J12-029-AB02.dgn



PLAN - WEST ABUTMENT



ANCHOR BOLT LAYOUT



ELEVATION
(Looking West)

MIN. BAR LAP
#5 - 3'-3"

- Notes:
1. For details of Bar Splicers, see Sheet S-37.
 2. For Section A-A, Bill of Material, and Bar Bending Diagrams, see Sheet S-33.
 3. Exist. vertical backwall reinforcement shall be cleaned and incorporated into the new construction. Cost included with Concrete Removal.

BOWMAN, BARRETT & ASSOCIATES INC.
CONSULTING ENGINEERS
Chicago, Illinois
312.228.0100
www.bbainc.com

USER NAME =	DESIGNED - MRM	REVISED -
PLOT SCALE =	CHECKED - BAK	REVISED -
PLOT DATE = 03/29/2013	DRAWN - MTR	REVISED -
	CHECKED - SF	REVISED -

STATE OF ILLINOIS
DEPARTMENT OF TRANSPORTATION

WEST ABUTMENT RECONSTRUCTION
STRUCTURE NO. 016-2440

SHEET NO. S-30 OF S-47 SHEETS

F.A.I. RTE.	SECTION	COUNTY	TOTAL SHEETS	SHEET NO.
94	2012-059-BR	COOK	631	458
CONTRACT NO. 60J12				

ILLINOIS FED. AID PROJECT