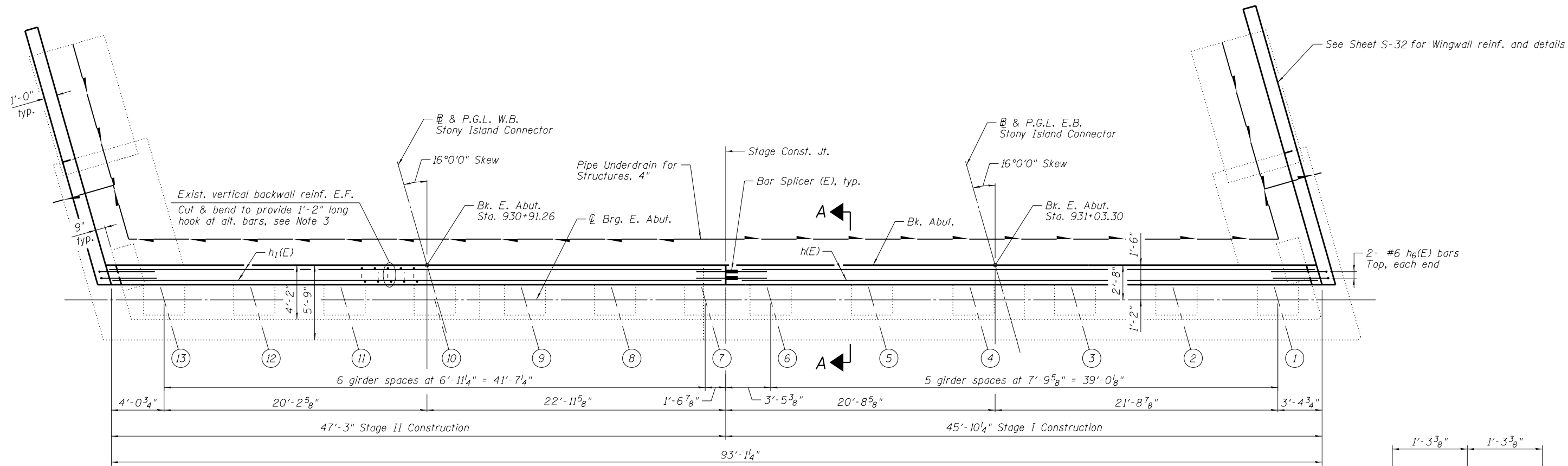


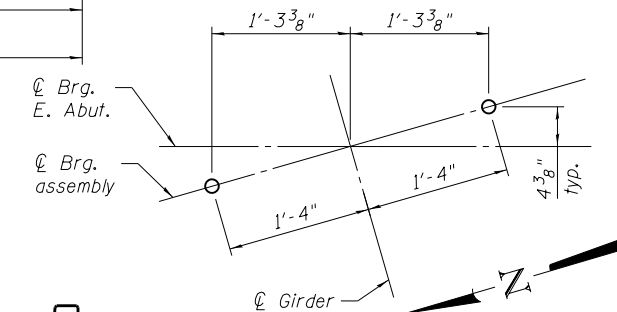
2:48:30 PM

4/18/2013

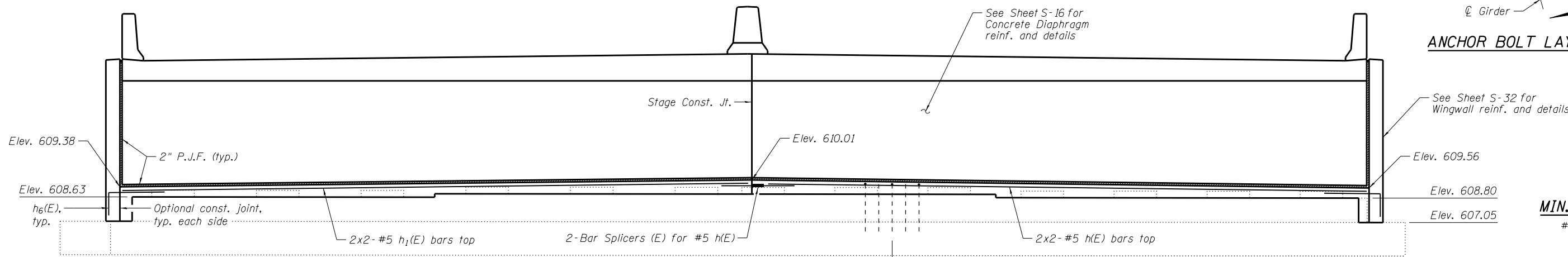
S:\1072_05_CADD\Structure\1 SN 0162440\CADD Sheets\0162440-60J12-030-AB03.dgn



PLAN - EAST ABUTMENT



ANCHOR BOLT LAYOUT



ELEVATION
(Looking East)

MIN. BAR LAP
#5 - 3'-3"

Notes:

1. For details of Bar Splicers, see Sheet S-37.
2. For Section A-A, Bill of Material, and Bar Bending Diagrams, see Sheet S-33.
3. Exist. vertical backwall reinforcement shall be cleaned and incorporated into the new construction. Cost included with Concrete Removal.

BOWMAN, BARRETT & ASSOCIATES INC.
CONSULTING ENGINEERS
Chicago, Illinois
312.228.0100
www.bbainc.com



USER NAME =
PLOT SCALE =
PLOT DATE = 03/29/2013

DESIGNED - MRM
CHECKED - BAK
DRAWN - MTR
CHECKED - SF

REVISED -
REVISED -
REVISED -
REVISED -

STATE OF ILLINOIS
DEPARTMENT OF TRANSPORTATION

EAST ABUTMENT RECONSTRUCTION
STRUCTURE NO. 016-2440

SHEET NO. S-31 OF S-47 SHEETS

F.A.I. RTE.	SECTION	COUNTY	TOTAL SHEETS	SHEET NO.
94	2012-059-BR	COOK	631	459
CONTRACT NO. 60J12				

ILLINOIS FED. AID PROJECT