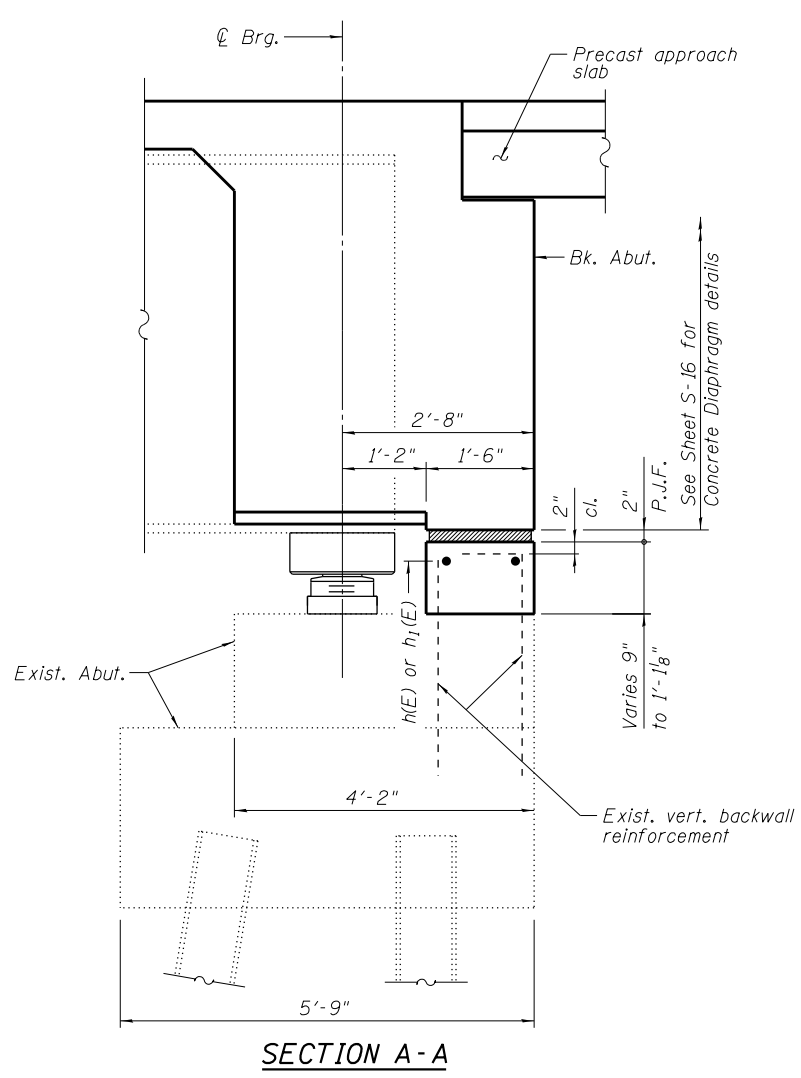


2:48:31 PM

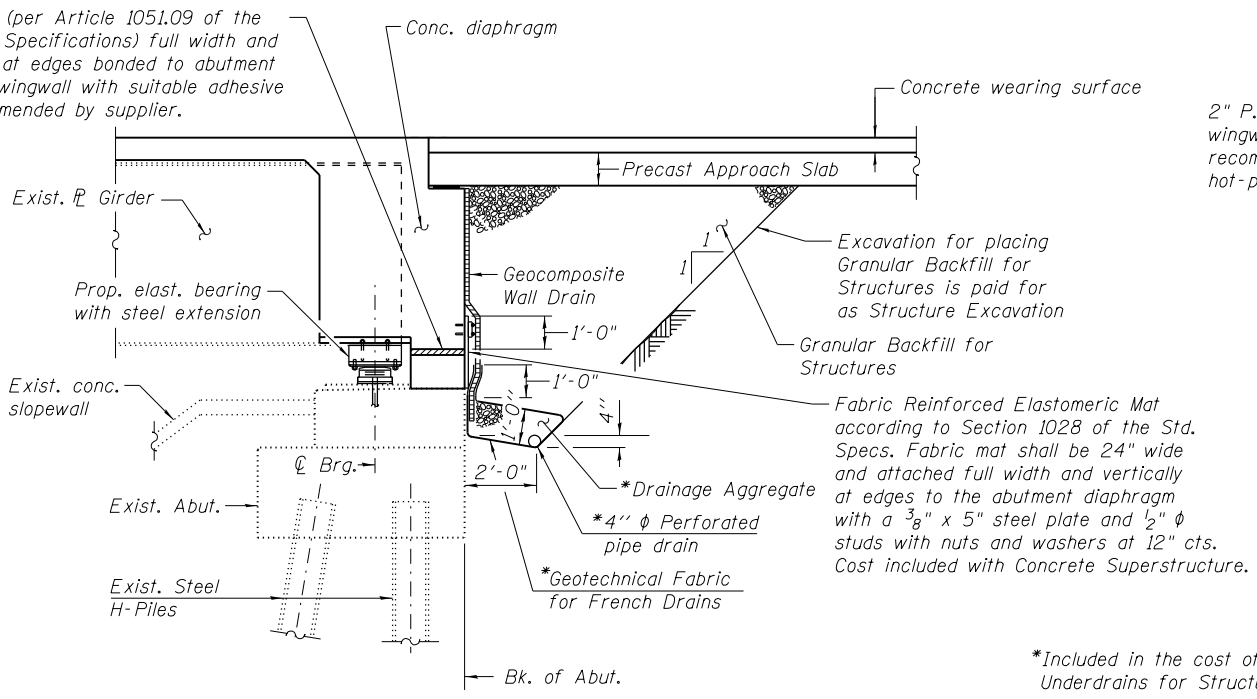
4/18/2013

S:\1072\_05\_CADD\Structure\1 SN 0162440\CADD Sheets\0162440-60J12-032-AB05.dgn

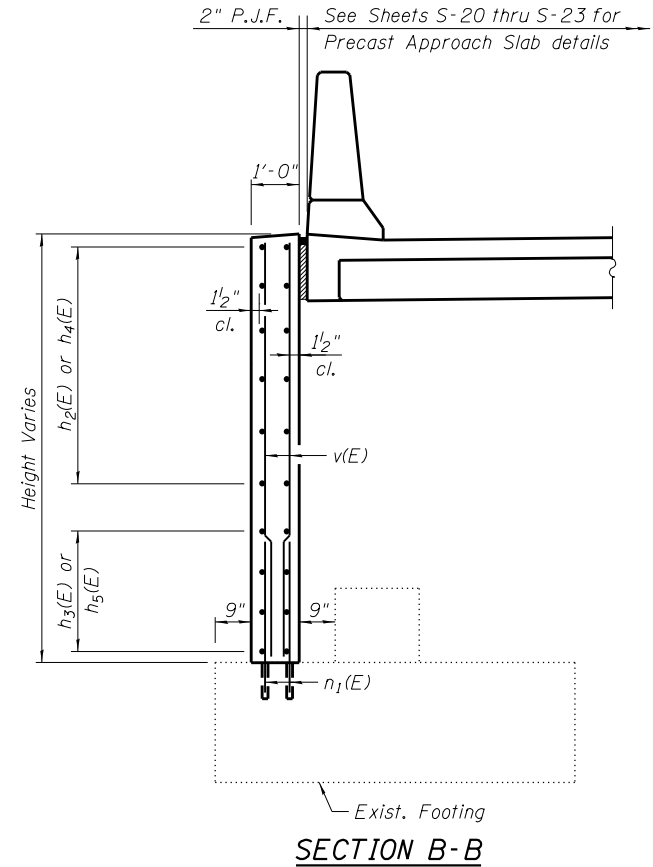


**SECTION A-A**

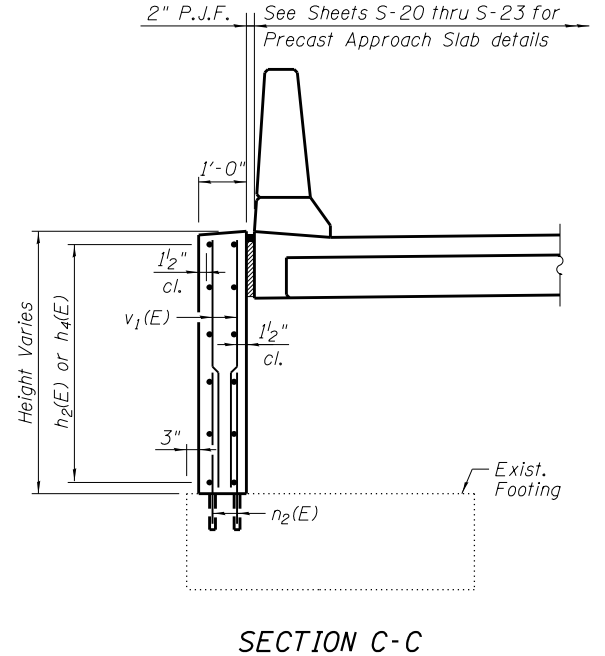
2" P.J.F. (per Article 1051.09 of the Standard Specifications) full width and vertically at edges bonded to abutment cap and wingwall with suitable adhesive as recommended by supplier.



**SECTION THRU ABUTMENT**  
(Horiz. dim. @ Rt. L's)

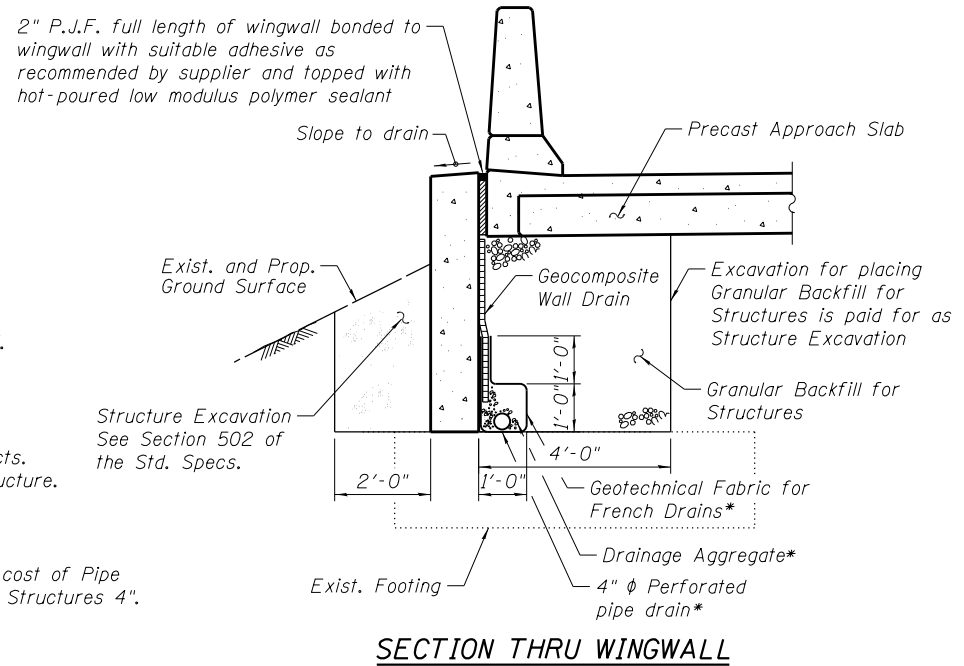


**SECTION B-B**



**SECTION C-C**

- Notes:
- All drainage system components shall extend to 2'-0" from the end of each wingwall. Outlet pipes shall extend through the pipe sleeves cast in the wingwall stem until intersecting with the embankment side slopes. The pipes shall drain into concrete headwalls. (See Article 601.05 of the Standard Specifications and Highway Standard 601101).
  - Any overexcavation beyond the limits of Structure Excavation will not be measured for payment.
  - Epoxy grout n1(E) & n2(E) bars in 9" min. drilled holes according to Section 584 of the Standard Specifications.
  - For details of Bar Splicers, see Sheet S-37.



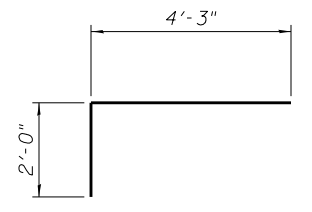
**SECTION THRU WINGWALL**

**W. ABUT. BILL OF MATERIAL**

Bar	No.	Size	Length	Shape
h(E)	4	#5	24'-6"	—
h1(E)	4	#5	25'-6"	—
h2(E)	12	#4	21'-8"	—
h3(E)	8	#4	9'-2"	—
h4(E)	12	#4	19'-11"	—
h5(E)	8	#4	8'-5"	—
h6(E)	4	#6	6'-3"	└
n1(E)	28	#7	6'-6"	—
n2(E)	30	#6	5'-3"	—
v(E)	28	#6	8'-7"	—
v1(E)	30	#5	5'-0"	—
v2(E)	8	#5	5'-5"	—
Structure Excavation		Cu. Yd.	200	
Concrete Structures		Cu. Yd.	16.8	
Reinforcement Bars, Epoxy Coated		Pound	1,850	
Geocomposite Wall Drain		Sq. Yd.	109	
Pipe Underdrains for Structures 4"		Foot	183	
Granular Backfill for Structures		Cu. Yd.	185	

**E. ABUT. BILL OF MATERIAL**

Bar	No.	Size	Length	Shape
h(E)	4	#5	24'-6"	—
h1(E)	4	#5	25'-6"	—
h2(E)	12	#4	21'-8"	—
h3(E)	8	#4	9'-2"	—
h4(E)	12	#4	19'-11"	—
h5(E)	8	#4	8'-5"	—
h6(E)	4	#6	6'-3"	└
n1(E)	28	#7	6'-6"	—
n2(E)	30	#6	5'-3"	—
v(E)	28	#6	8'-7"	—
v1(E)	30	#5	5'-0"	—
v2(E)	8	#5	5'-5"	—
Structure Excavation		Cu. Yd.	198	
Concrete Structures		Cu. Yd.	16.5	
Reinforcement Bars, Epoxy Coated		Pound	1,850	
Geocomposite Wall Drain		Sq. Yd.	107	
Pipe Underdrains for Structures 4"		Foot	183	
Granular Backfill for Structures		Cu. Yd.	183	



**BAR h6(E)**

BOWMAN, BARRETT & ASSOCIATES INC.  
CONSULTING ENGINEERS  
Chicago, Illinois  
312.228.0100  
www.bbainc.com

USER NAME =	DESIGNED - MRM	REVISIONS
PLOT SCALE =	CHECKED - BAK	REVISIONS
PLOT DATE = 03/29/2013	DRAWN - MTR	REVISIONS
	CHECKED - SF	REVISIONS

STATE OF ILLINOIS  
DEPARTMENT OF TRANSPORTATION

ABUTMENT RECONSTRUCTION DETAILS II  
STRUCTURE NO. 016-2440

SHEET NO. S-33 OF S-47 SHEETS

F.A.I. RTE.	SECTION	COUNTY	TOTAL SHEETS	SHEET NO.
94	2012-059-BR	COOK	631	461
CONTRACT NO. 60J12				
ILLINOIS FED. AID PROJECT				