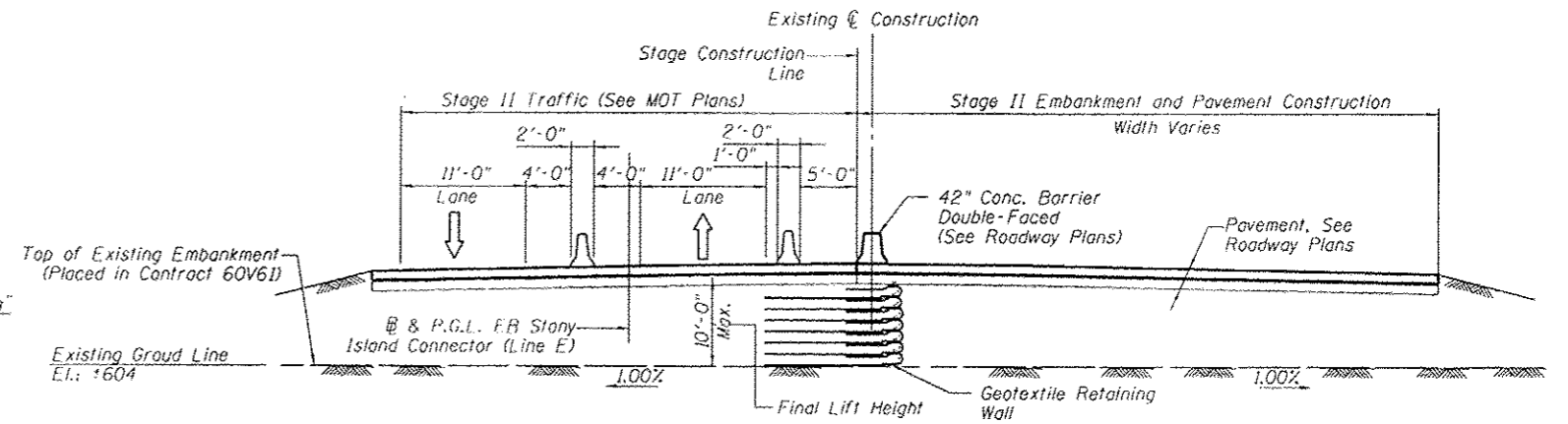
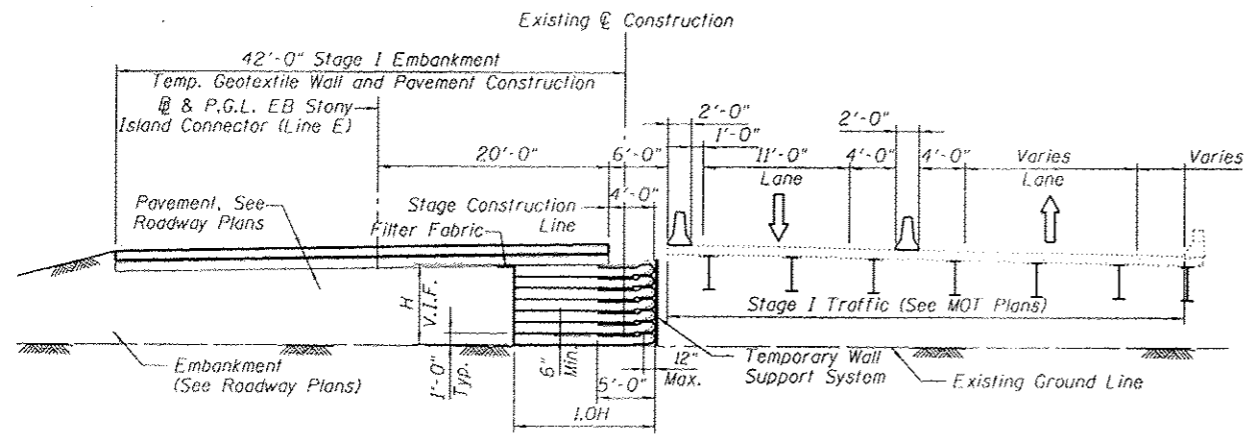


STAGE I REMOVAL

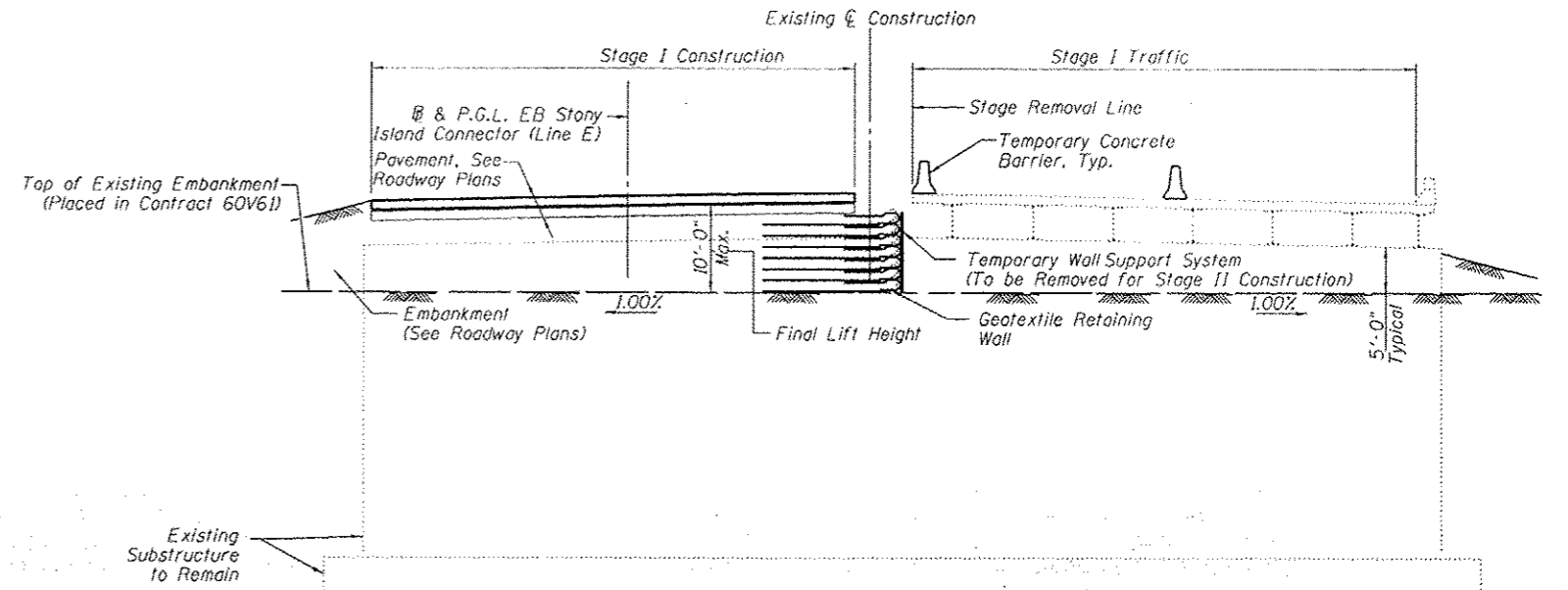


STAGE II CONSTRUCTION

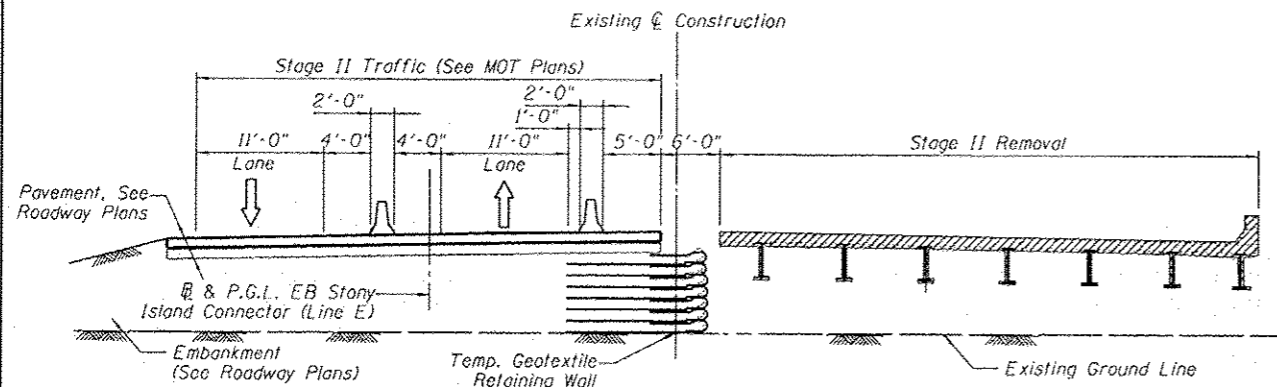
STAGING SECTION
(Looking West)



STAGE I CONSTRUCTION



SECTION THRU GEOTEXTILE RETAINING WALL AT STAGE I CONSTRUCTION



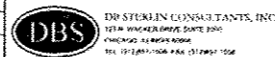
STAGE II REMOVAL

STAGING SECTIONS
(Looking West)

LEGEND

Denotes Removal of Existing Superstructure

USER NAME :	DESIGNED - GFP / GMK	REVISED -
PLOT SCALE :	DRAWN - GFP	REVISED -
PLOT DATE :	CHECKED - GMK	REVISED -
FILE NAME :	DATE - 03/29/13	REVISED -



STATE OF ILLINOIS
DEPARTMENT OF TRANSPORTATION

CONSTRUCTION STAGING
SN 016-2439

SHEET NO. 52 OF 518 SHEETS

F.A.I. RTE.	SECTION	COUNTY	TOTAL SHEETS	SHEET NO.
94	2012-059-BR	COOK	631	477
CONTRACT NO. 60J12				
FED. ROAD DIST. NO. 1 ILLINOIS FED. AID PROJECT				