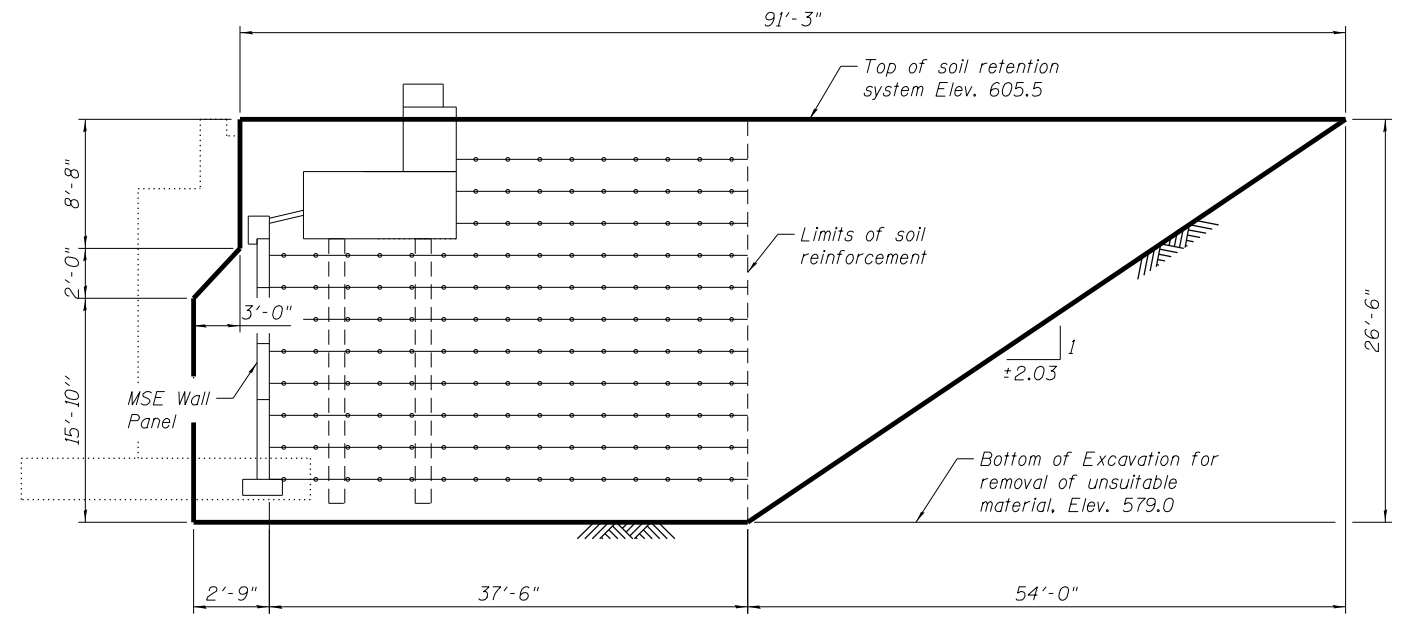
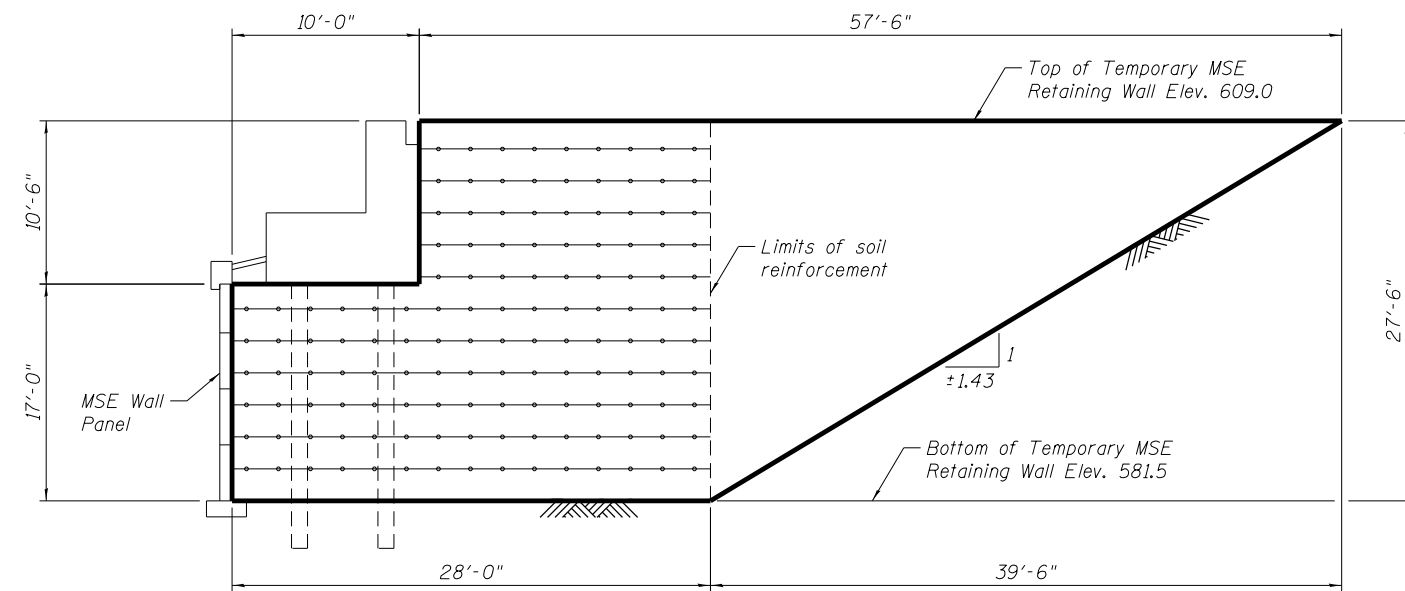


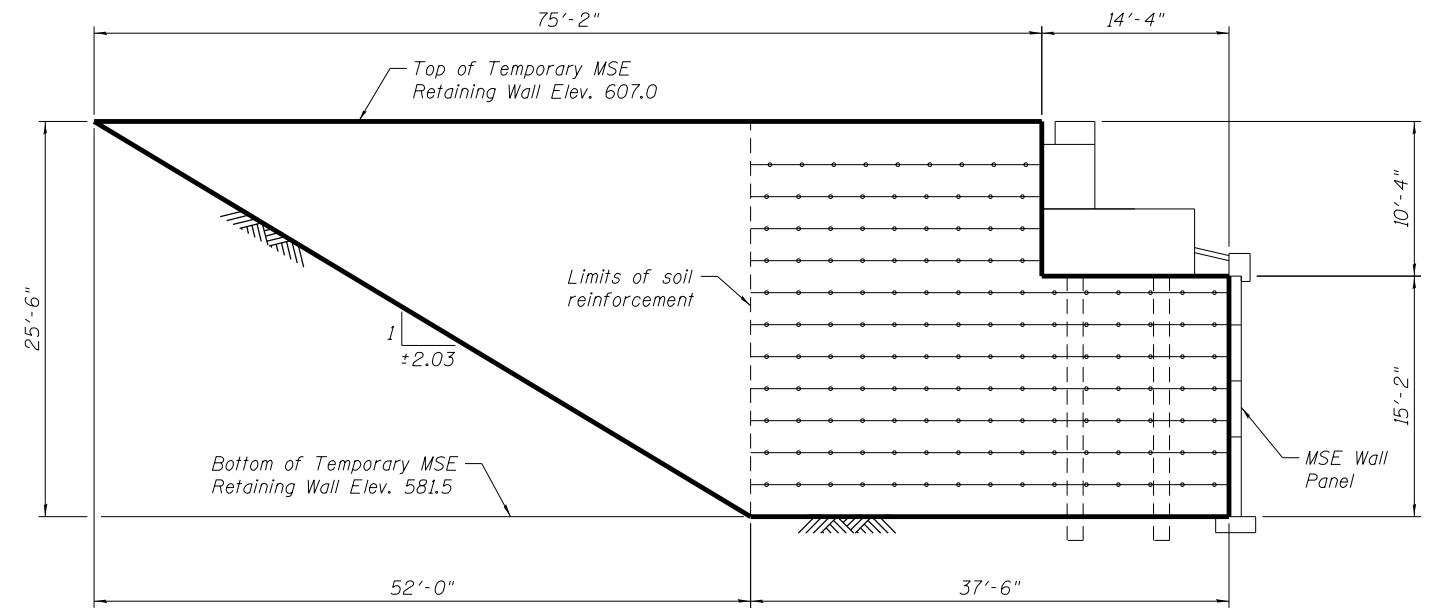
WEST ABUTMENT TEMPORARY SOIL RETENTION SYSTEM
(Looking North)



EAST ABUTMENT TEMPORARY SOIL RETENTION SYSTEM
(Looking North)



WEST ABUTMENT TEMPORARY MSE RETAINING WALL
(Looking South)



EAST ABUTMENT TEMPORARY MSE RETAINING WALL
(Looking South)

Notes:

A cantilevered sheet piling design does not appear feasible and additional members or other retention systems may be necessary. The Contractor shall submit a temporary soil retention system design including plan details and calculations for review and acceptance by the Engineer.

The Contractor shall design the face of the temporary MSE retaining walls to permit attachment of straps from the permanent MSE walls in acute corners as applicable.

See MSE wall shop drawings for actual limits of soil reinforcement.

BILL OF MATERIAL

ITEM	UNIT	QUANTITY
Temporary Soil Retention System	Sq. Ft.	2,420
Temporary Mechanically Stabilized Earth Retaining Wall	Sq. Ft.	2,680

3/3/2013 3:33:20 PM

4/30/2013

S:\1072_05_CADD\Structure\1\SN_0162471\CADD_Sheets\0162471-6012-005-C503.dgn

BOWMAN, BARRETT & ASSOCIATES INC.
CONSULTING ENGINEERS
Chicago, Illinois
312.228.0100
www.bbainc.com



USER NAME =	DESIGNED - TL	REVISOR -
PLOT SCALE =	CHECKED - BAK	REVISIONS -
PLOT DATE = 03/29/2013	DRAWN - TL	REVISIONS -
	CHECKED - BAK	REVISIONS -

STATE OF ILLINOIS
DEPARTMENT OF TRANSPORTATION

CONSTRUCTION STAGING DETAILS III
STRUCTURE NO. 016-2471

SHEET NO. S-5 OF S-63 SHEETS

F.A.I. RTE.	SECTION	COUNTY	TOTAL SHEETS	SHEET NO.
94	2012-059-BR	COOK	631	498
CONTRACT NO. 60J12				

ILLINOIS FED. AID PROJECT