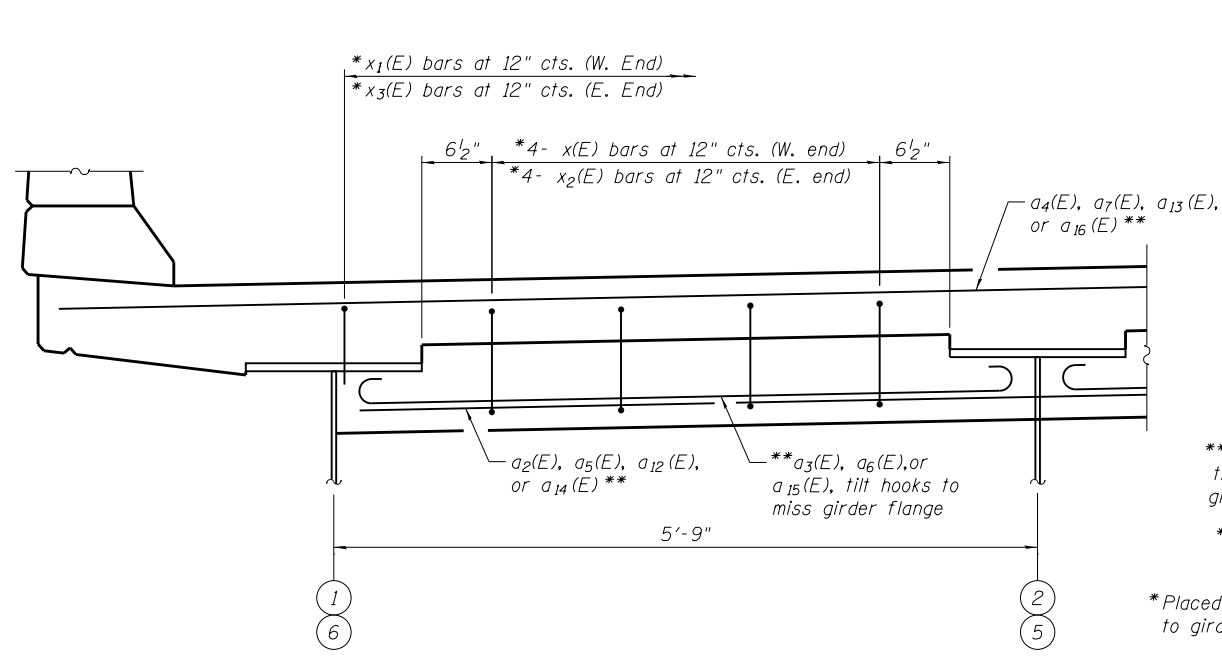


3/3/2013 PM

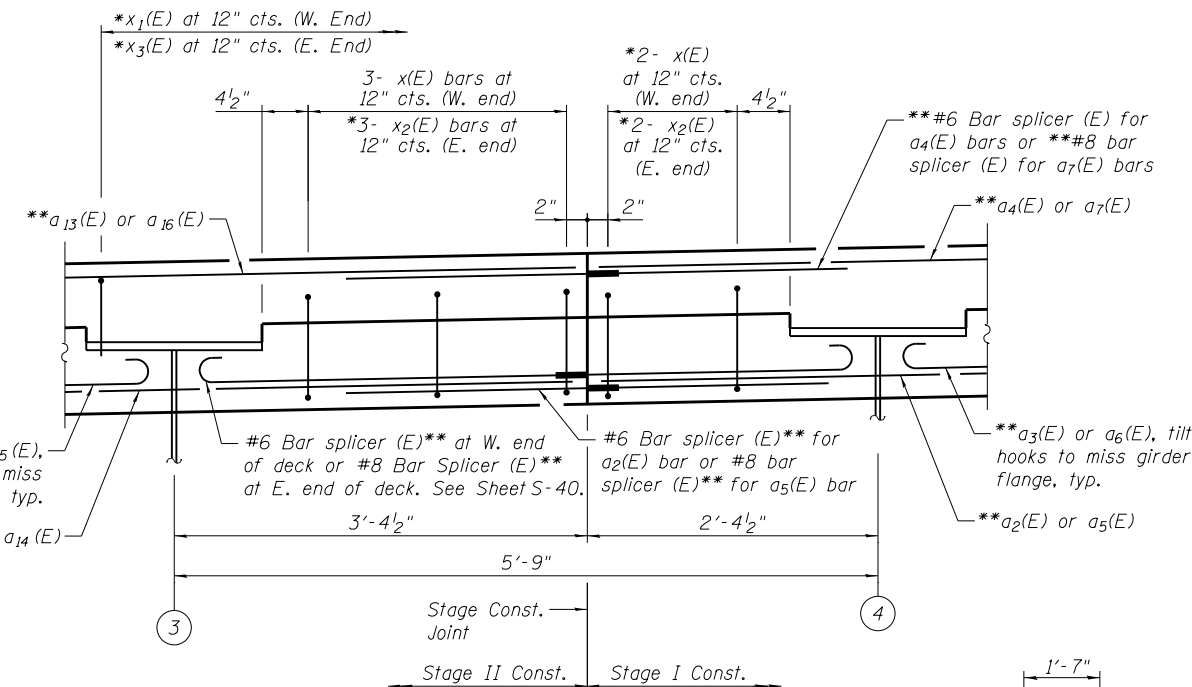
4/30/2013

S:\1072\_05\_CADD\Structure\1 SN 0162471\CADD Sheets\0162471-60112-012-5001.dgn

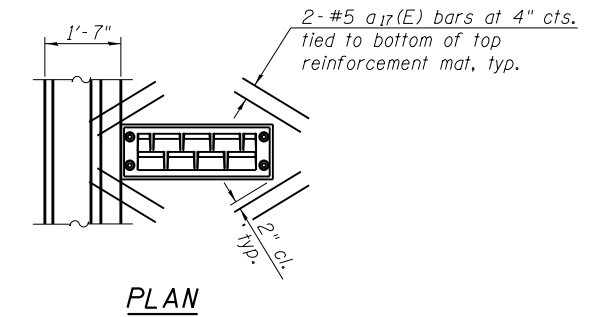


**EDGE BEAM ELEVATION**  
(Typical between beams U.O.N.)

\*Placed parallel to girders  
\*\*Placed along skew

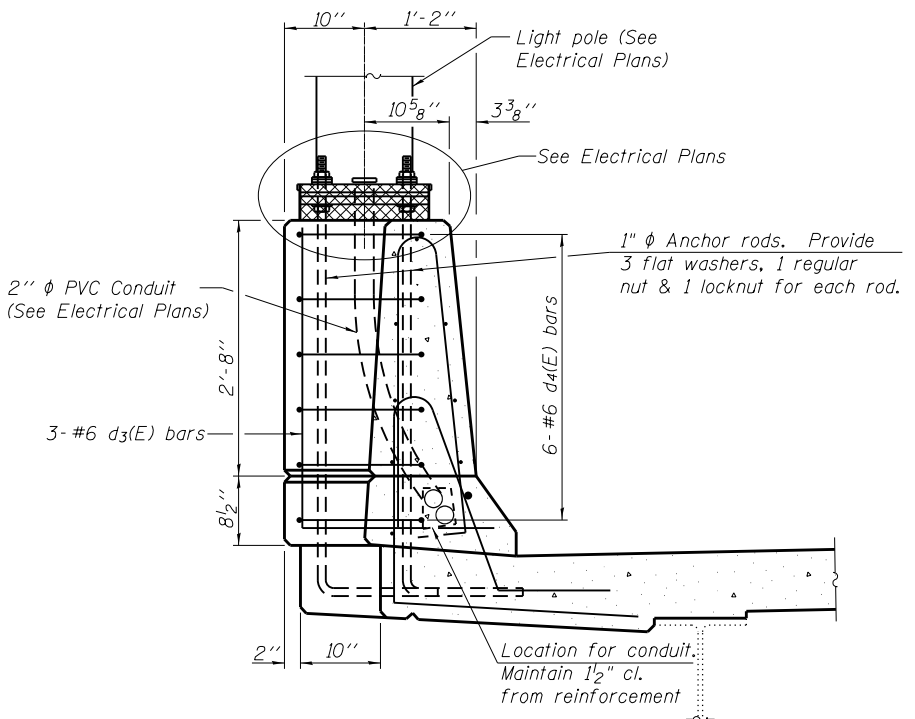


**EDGE BEAM ELEVATION**  
(At Bonded Stage Construction Joint)

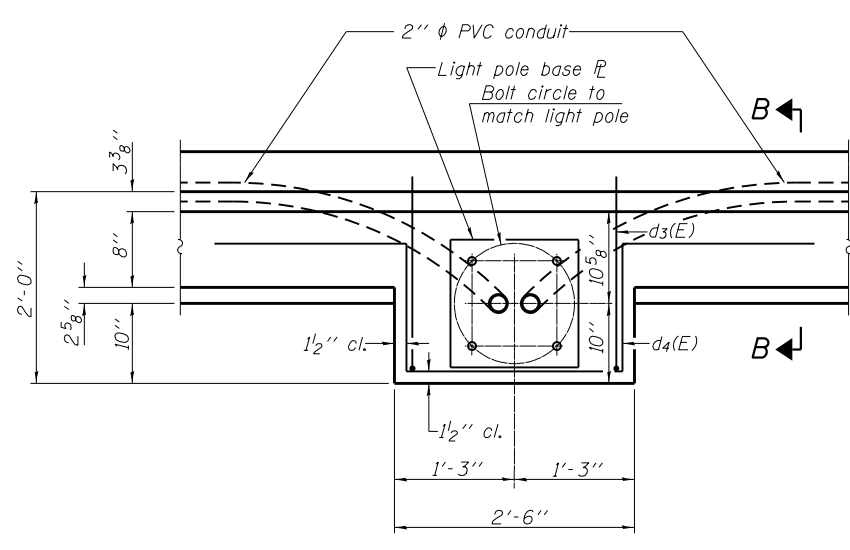


**PLAN**

Note: Cut longitudinal reinforcement to clear drainage scuppers.

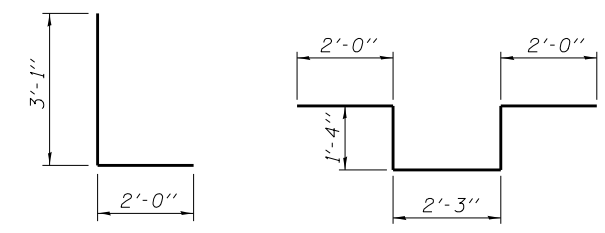


**SECTION B-B**



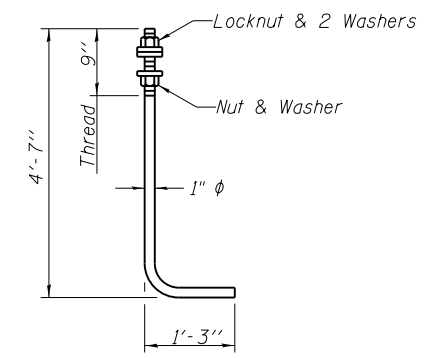
**LIGHT POLE FOUNDATION PLAN**

Note: Cost of anchor rods is included with Concrete Superstructure.



**BAR d<sub>3</sub>(E)**

**BAR d<sub>4</sub>(E)**



**ANCHOR ROD**

(ASTM F 1554 Grade 105, full length hot dipped galvanized)

BOWMAN, BARRETT & ASSOCIATES INC.  
CONSULTING ENGINEERS  
Chicago, Illinois  
312.228.0100  
www.bbainc.com

USER NAME =	DESIGNED - TL	REVISD -
PLOT SCALE =	CHECKED - BAK	REVISD -
PLOT DATE = 03/29/2013	DRAWN - TL	REVISD -
	CHECKED - BAK	REVISD -

STATE OF ILLINOIS  
DEPARTMENT OF TRANSPORTATION

**SUPERSTRUCTURE DETAILS I**  
**STRUCTURE NO. 016-2471**

SHEET NO. S-12 OF S-63 SHEETS

F.A.I. RTE.	SECTION	COUNTY	TOTAL SHEETS	SHEET NO.
94	2012-059-BR	COOK	631	505
CONTRACT NO. 60J12				

ILLINOIS FED. AID PROJECT