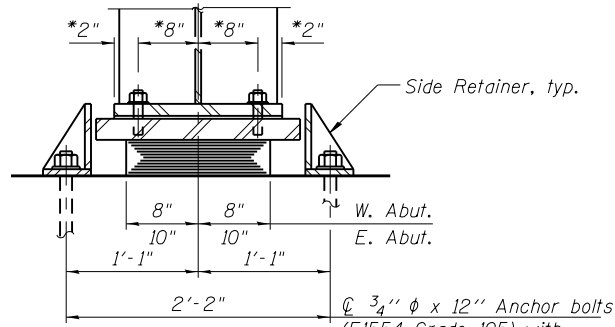


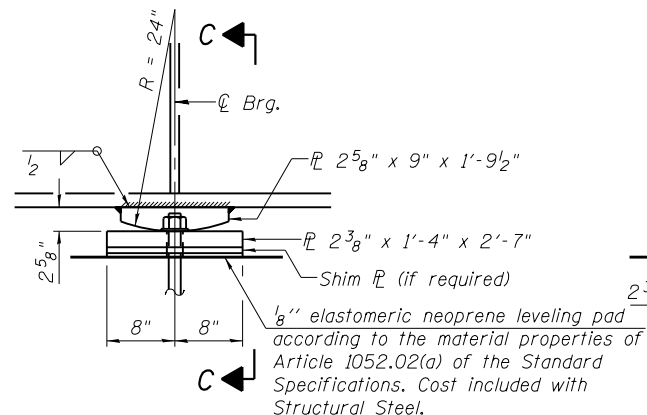
ELEVATION AT ABUT.

*Dimensions measured parallel to or at right angles to girders. See Bearing Orientation Plan.



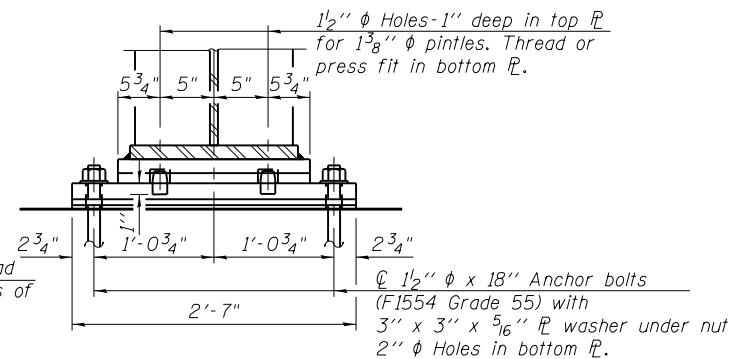
SECTION A-A

Side Retainer, typ.
W. Abut.
E. Abut.
2'-2" ϕ 3/4" ϕ x 12" Anchor bolts (F1554 Grade 105) with 2" x 2" x 5/16" ϕ washer under nut

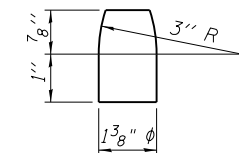


ELEVATION AT PIER

FIXED BEARING

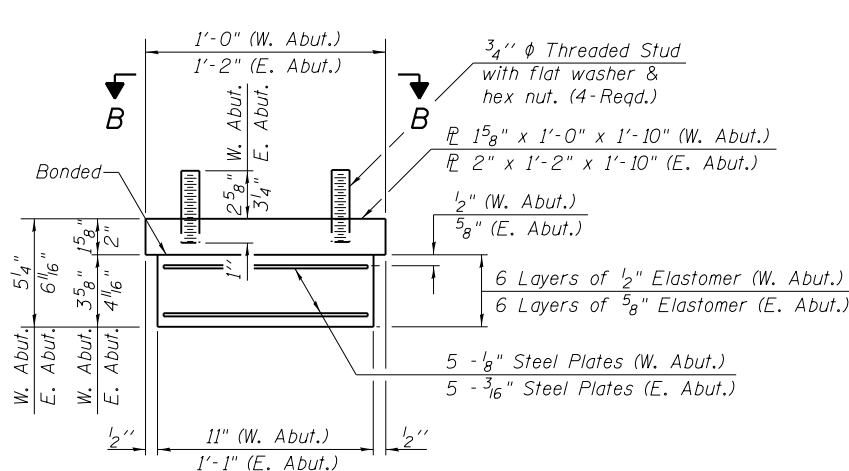


SECTION C-C



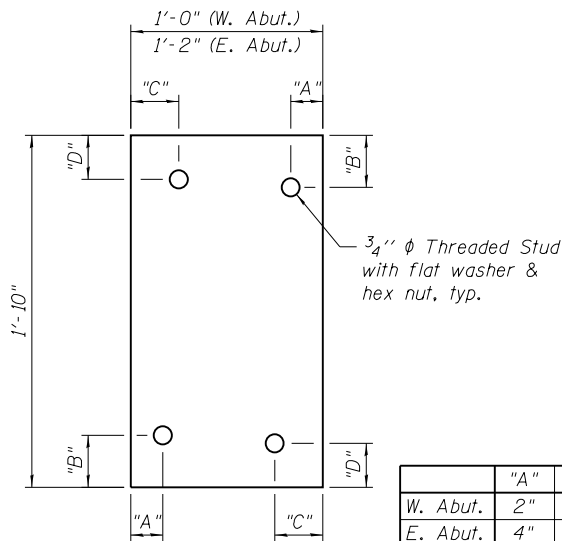
PINTLE

TYPE I ELASTOMERIC EXP. BRG.



BEARING ASSEMBLY

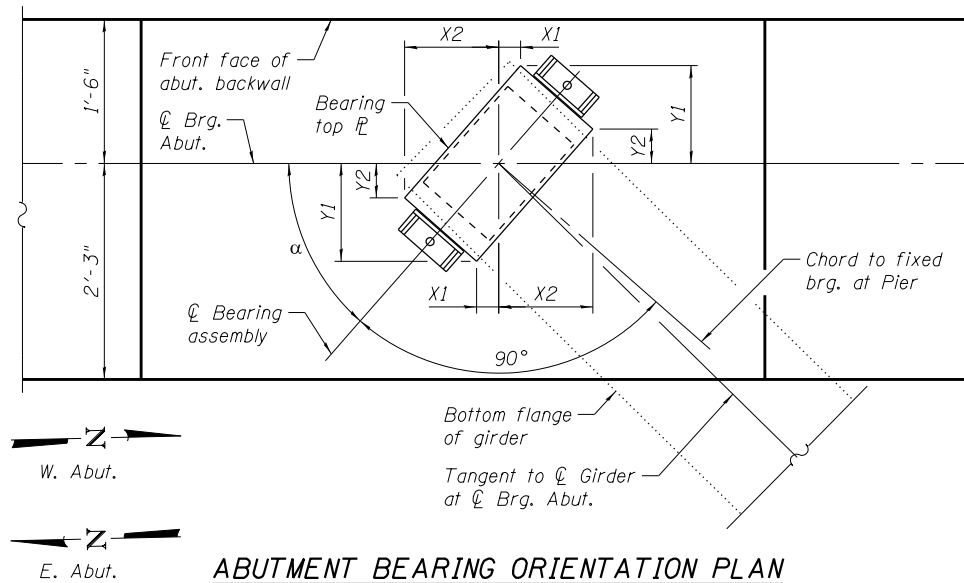
Note:
Shim plates shall not be placed under Bearing Assembly.



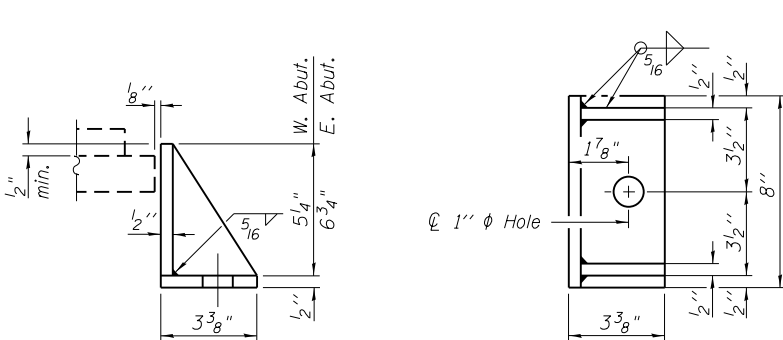
VIEW B-B

	"A"	"B"	"C"	"D"
W. Abut.	2"	3 1/4"	3"	2 3/4"
E. Abut.	4"	2 3/4"	3"	3 1/4"

	West Abutment					East Abutment				
	α	X1	Y1	X2	Y2	α	X1	Y1	X2	Y2
Girder 1	49°54'59"	2 1/2"	1'-0 1/4"	11 5/8"	4 1/2"	57°37'03"	0	1'-1"	11 3/4"	5 1/2"
Girder 2	49°30'17"	2 5/8"	1'-0 1/4"	11 3/4"	4 1/2"	57°04'05"	1/8"	1'-1"	11 7/8"	5 3/8"
Girder 3	49°06'05"	2 5/8"	1'-0 1/4"	11 3/4"	4 3/8"	57°32'01"	1/4"	1'-1"	11 7/8"	5 3/8"
Girder 4	48°42'23"	2 3/4"	1'-0 1/4"	11 3/4"	4 1/4"	56°00'49"	3/8"	1'-1"	1'-0"	5 1/4"
Girder 5	48°19'09"	2 7/8"	1'-0 1/4"	11 3/4"	4 1/4"	55°30'25"	1/2"	1'-1"	1'-0"	5 1/8"
Girder 6	47°56'22"	2 7/8"	1'-0 1/8"	11 7/8"	4 1/8"	55°00'48"	5/8"	1'-1"	1'-0"	5"



ABUTMENT BEARING ORIENTATION PLAN



SIDE RETAINER

Equivalent rolled angle with stiffeners will be allowed in lieu of welded plates.

Notes:
The structural steel plates of the bearing assemblies shall conform to the requirements of AASHTO M 270 Grade 50.
Anchor bolts shall be ASTM F1554 all-thread (or an Engineer-approved alternate material) of the grade(s) and diameter(s) specified. The corresponding specified grade of AASHTO M314 anchor bolts may be used in lieu of ASTM F1554.
Anchor bolts at fixed bearings may be either cast in place or installed in holes drilled after the supported member is in place.
Anchor bolts for side retainers may be cast in place or installed in holes drilled before or after members are in place.
Drilled and set anchor bolts shall be installed according to Article 521.06 of the Standard Specifications.
Side retainers and other steel members required for the elastomeric bearing assembly shall be included in the cost of Elastomeric Bearing Assembly, Type I.
Two 1/8" adjusting shims shall be provided for each bearing in addition to all other plates or shims and placed as shown on bearing details.
The structural steel plates and pintles of the fixed bearings shall conform to the requirements of AASHTO M 270 Grade 50.

BILL OF MATERIAL

Item	Unit	Total
Elastomeric Bearing Assembly Type I	Each	12
Anchor Bolts, 3/4"	Each	24
Anchor Bolts, 1/2"	Each	12

3:33:31 PM

4/30/2013

S:\1072_05_CADD\Structure\1 SN 0162471\CADD Sheets\0162471-6012-026-BR01.dgn

BOWMAN, BARRETT & ASSOCIATES INC.
CONSULTING ENGINEERS
Chicago, Illinois
312.228.0100
www.bbainc.com

USER NAME =	DESIGNED - TL	REVISED -
PLOT SCALE =	CHECKED - BAK	REVISED -
PLOT DATE = 03/29/2013	DRAWN - TL	REVISED -
	CHECKED - BAK	REVISED -

STATE OF ILLINOIS
DEPARTMENT OF TRANSPORTATION

BEARING DETAILS
STRUCTURE NO. 016-2471

SHEET NO. S-26 OF S-63 SHEETS

F.A.I. RE.	SECTION	COUNTY	TOTAL SHEETS	SHEET NO.
94	2012-059-BR	COOK	631	519
CONTRACT NO. 60J12				
ILLINOIS FED. AID PROJECT				