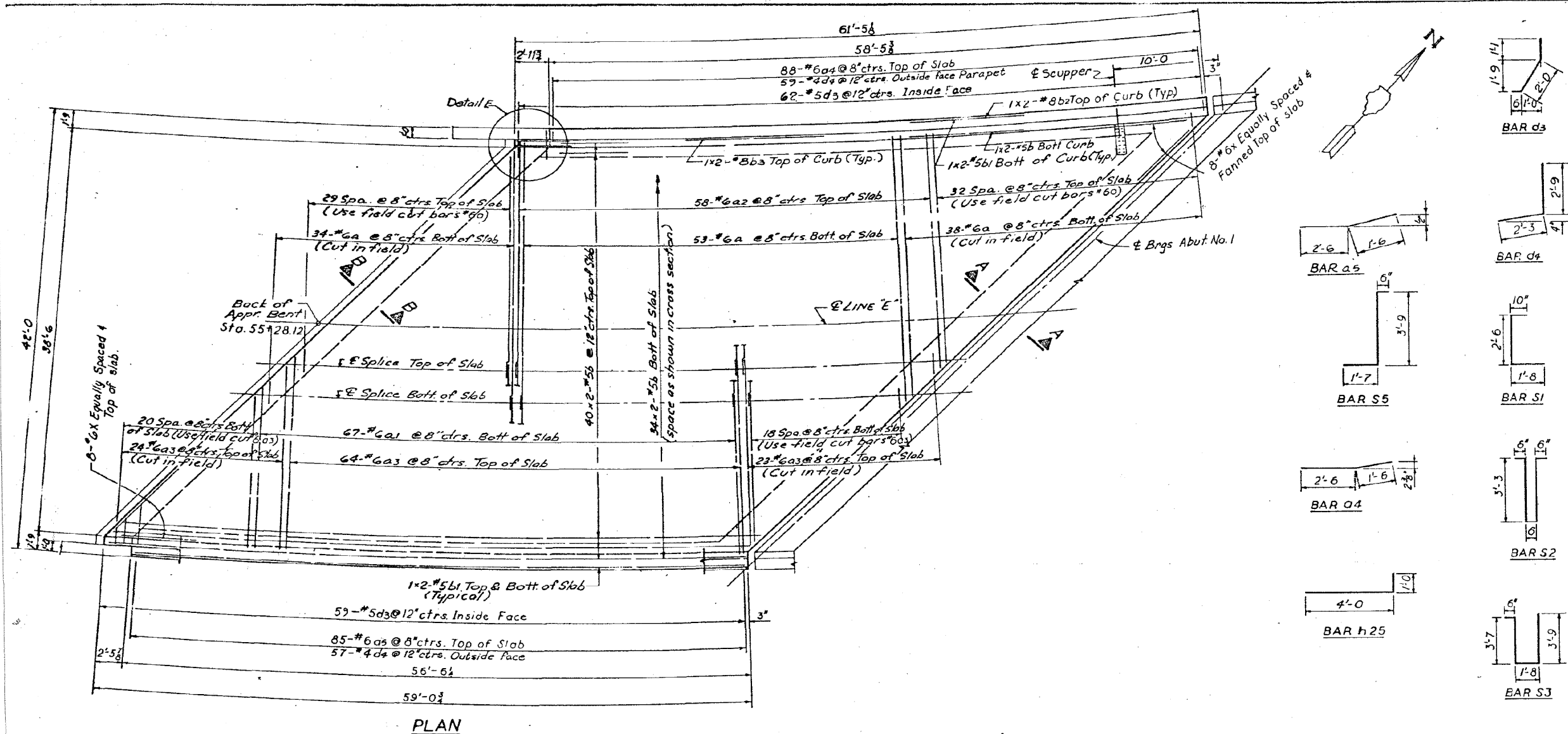


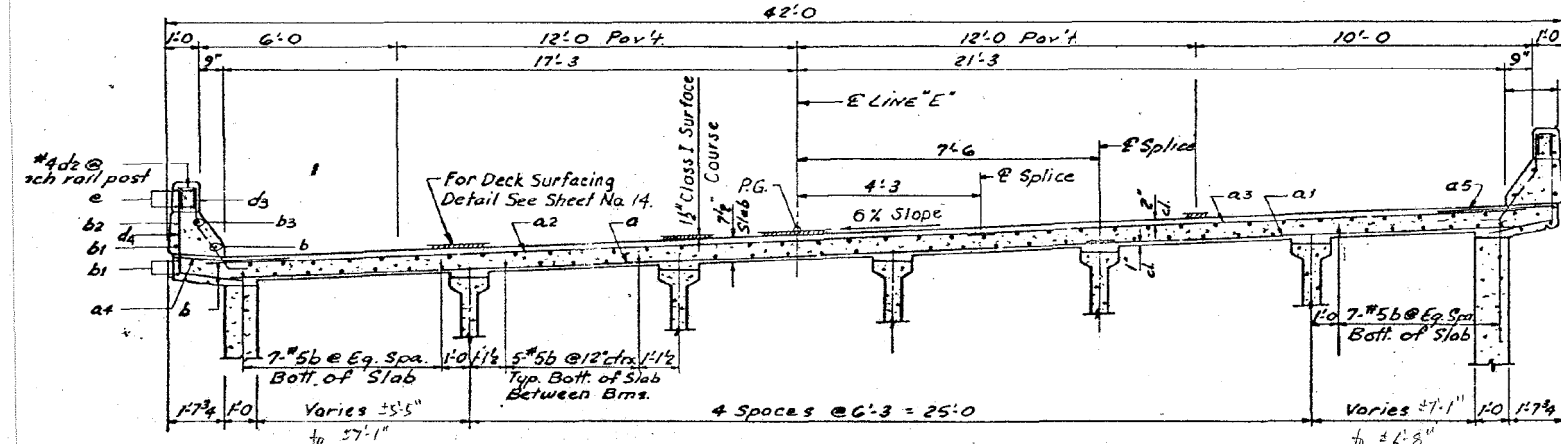
2:30:56 PM

3/29/2013

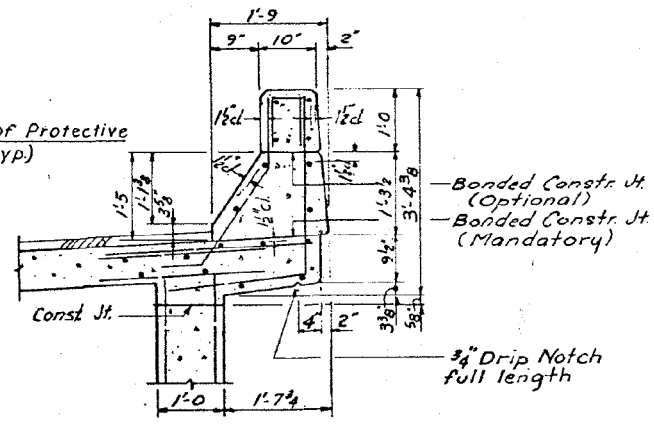
SA 1072, 05-CADD, Structure-01 SN 0162471, CADD Sheets 0162471-6012-019-F, 05.dgn



PLAN



CROSS SECTION



CURB SECTION

BILL OF MATERIAL				
BAR NO	SIZE	LENGTH	SHAPE	
0	125	#6	26'-3	
01	67	#6	15'-3	
02	58	#6	23'-0	
03	111	#6	18'-6	
04	88	#6	4'-0	
a5	85	#6	4'-0	
b	152	#5	31'-5	
b1	12	#5	29'-10	
b2	4	#8	29'-10	
b3	4	#8	31'-8	
d3	121	#5	3'-7	
d4	116	#4	5'-0	
h25	12	#5	5'-0	
m	16	#4	7'-0	
m1	8	#5	6'-0	
m2	6	#5	27'-9	
m3	2	#4	7'-9	
m4	1	#5	6'-9	
m5	6	#4	8'-6	
m6	3	#5	7'-6	
m7	6	#5	27'-0	
m8	12	#4	5'-5	
m9	12	#4	4'-3	
S1	33	#4	5'-0	
S2	26	#4	8'-0	
S3	33	#4	9'-6	
S4	33	#4	3'-4	
S5	33	#4	5'-10	
V71	76	#5	3'-0	
X	16	#6	5'-0	

ITEM	UNIT	TOTAL
REINFORCEMENT BARS	LB.	21161
CLASS X CONCRETE	CU. YD.	96.0
PROTECTIVE COAT	SQ. YD.	44

\* Parapet Reinforcement and Class X Concrete are billed on Sheet No. 15.

**NOTES**  
 For Continuation of slab see Sheet No. 12.  
 Minimum bar lap = 20 Dia.  
 Transverse slab bars shall have a minimum lap of 30 Dia.  
 For Parapet Plan & Details and Railing Details see Sheet No. 15.  
 For Elevations of bottom of Deck Slab see Sheet No. 9.  
 For Sections A-A & B-B see Sheet No. 11.  
 For Detail E see sheet No. 13.  
 Bars marked thus 2x2-#5 etc. indicates 2 lines of bars with 2 lengths per line.  
 For Scupper Details see sheet No. 38.  
 For additional reinforcement at scupper locations see Scupper Details.  
 RA For placement see sheet No. 11.

DEPARTMENT OF HIGHWAYS  
 COOK COUNTY, ILLINOIS  
 GEORGE W. DUNNE  
 PRESIDENT BOARD OF COMMISSIONERS  
 SUPERINTENDENT OF HIGHWAYS

**SLAB PLAN AT ABUTMENT NO. 1**  
 STONY ISLAND CONNECTOR FAI 94  
 LINE E STRUCTURE

PROJECT: EBU 246 (76)  
 SCALE: As Shown  
 APPROVED: *[Signature]*  
 CHIEF ENGINEER

DATE	BY	DESCRIPTION

FA Route No.	COUNTY HWY Route No.	Sheet No.	Total Sheets	Drawing No.
122	174A	10	97	

BOWMAN, BARRETT & ASSOCIATES INC.  
 CONSULTING ENGINEERS  
 Chicago, Illinois  
 312.228.0100  
 www.bbainc.com

USER NAME =  
 DESIGNED -  
 CHECKED - BAK  
 PLOT SCALE =  
 DRAWN -  
 PLOT DATE = 03/29/2013

DESIGNED -  
 CHECKED - BAK  
 DRAWN -  
 CHECKED -

REVISED -  
 REVISED -  
 REVISED -  
 REVISED -

STATE OF ILLINOIS  
 DEPARTMENT OF TRANSPORTATION

EXISTING PLANS (FOR INFORMATION ONLY)  
 STRUCTURE NO. 016-2471

SHEET NO. S-49 OF S-63 SHEETS

F.A.I. RTE.	SECTION	COUNTY	TOTAL SHEETS	SHEET NO.
94	2012-059-BR	COOK	631	542

CONTRACT NO. 60J12  
 ILLINOIS FED. AID PROJECT