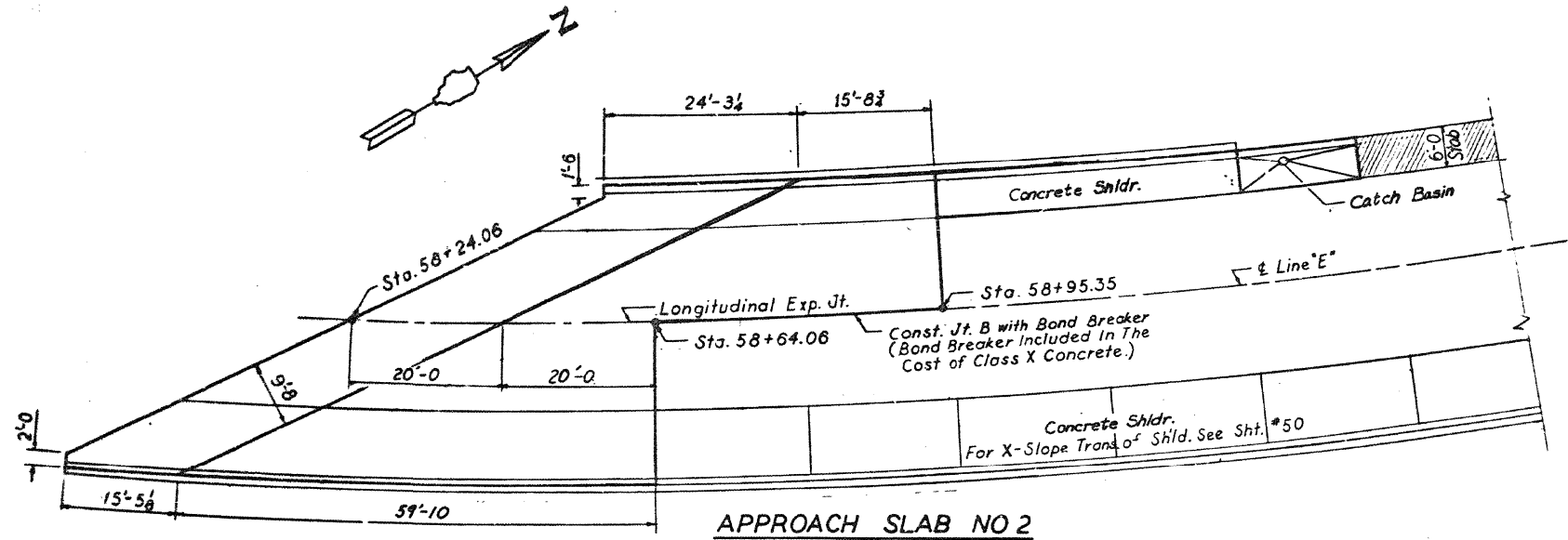
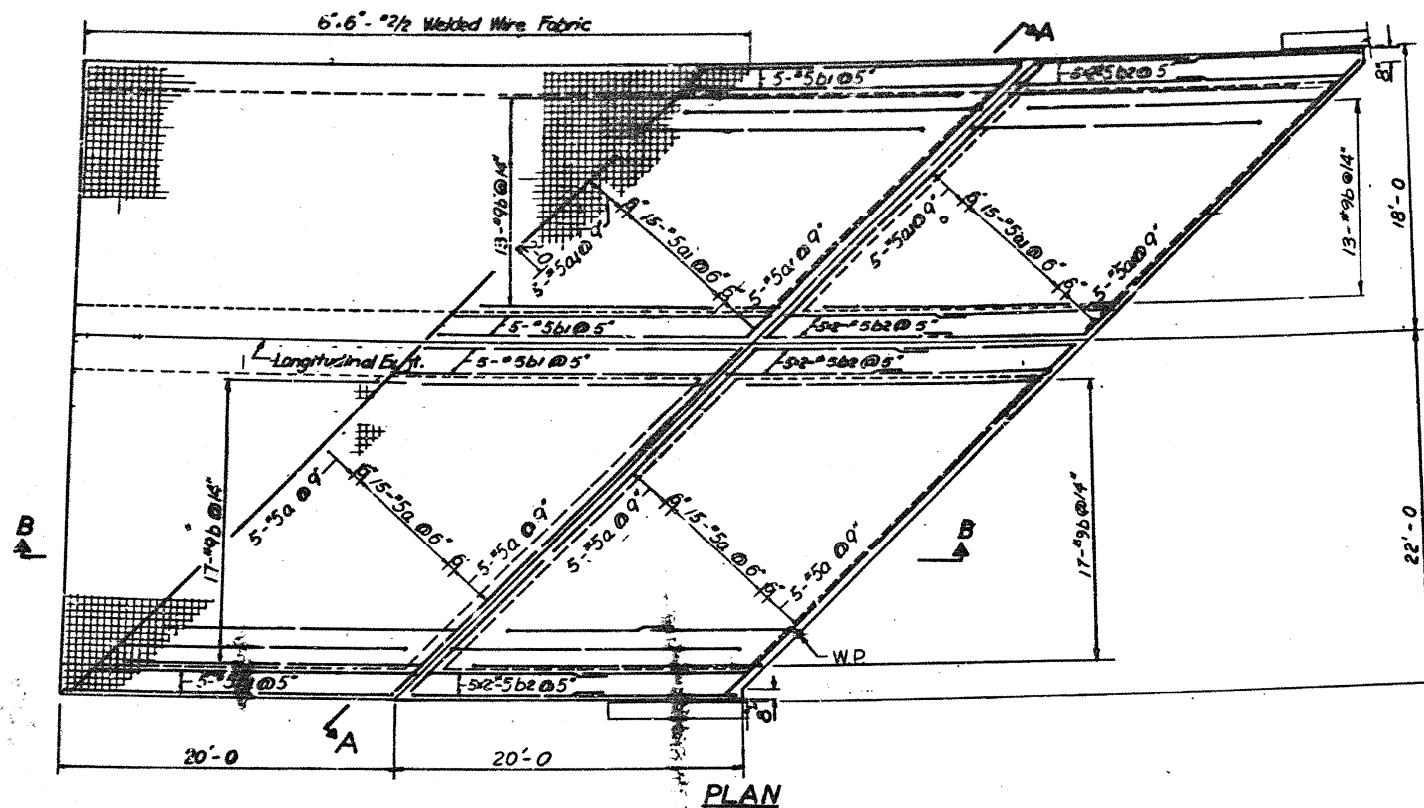


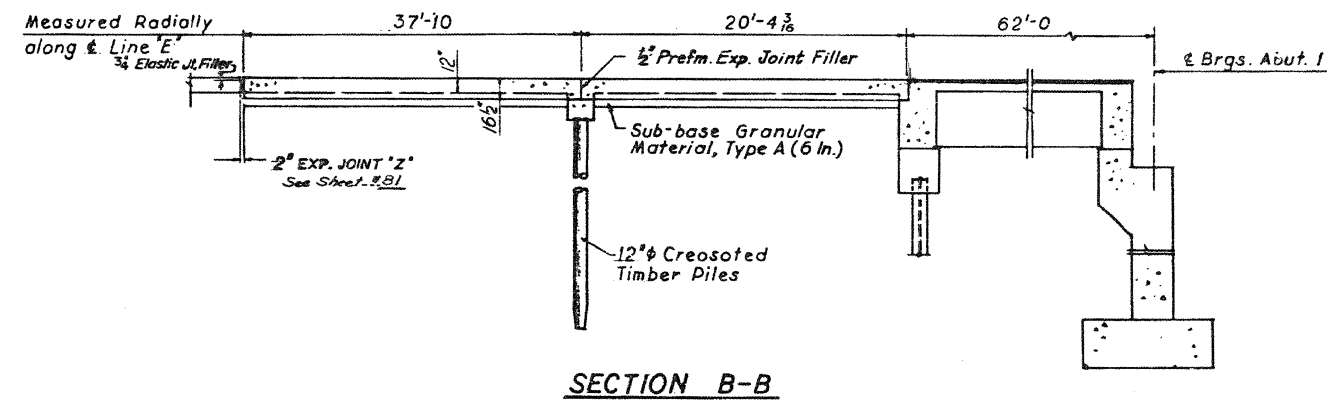
APPROACH SLAB NO 1



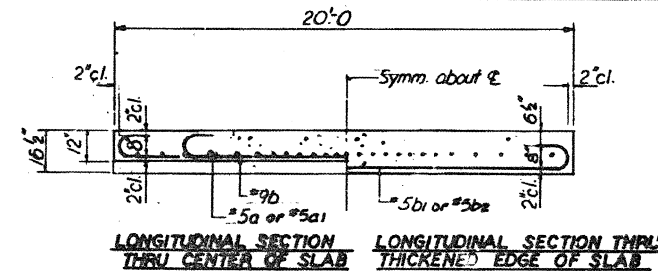
APPROACH SLAB NO 2



PLAN



SECTION B-B



LONGITUDINAL SECTION THRU CENTER OF SLAB  
LONGITUDINAL SECTION THRU THICKENED EDGE OF SLAB

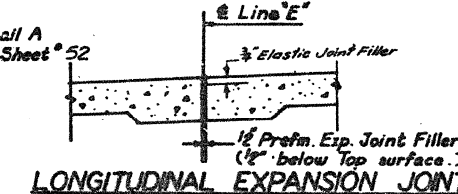
**NOTES**

For Approach Slab No. 2 details see Sheet 52.  
The Bituminous Preformed Joint Filler shall be included in the contract unit price for Portland Cement Concrete Pavement (16' x 12' x 16')

APPROACH SLAB NO. 1 QUANTITIES		
ITEM	UNIT	TOTAL
PORTLAND CEMENT CONCRETE PAVEMENT 16'-12'-16'	S. Y.	251.5
CLASS X CONCRETE	C. Y.	3.6
REINFORCEMENT BARS	LB.	9163
SUB-BASE GRANULAR MATERIAL TYPE A (6 IN.)	S. Y.	252
PROTECTIVE COAT	S. Y.	260

DEPARTMENT OF HIGHWAYS  
COOK COUNTY, ILLINOIS  
GEORGE W. DUNNE  
PRESIDENT BOARD OF COMMISSIONERS

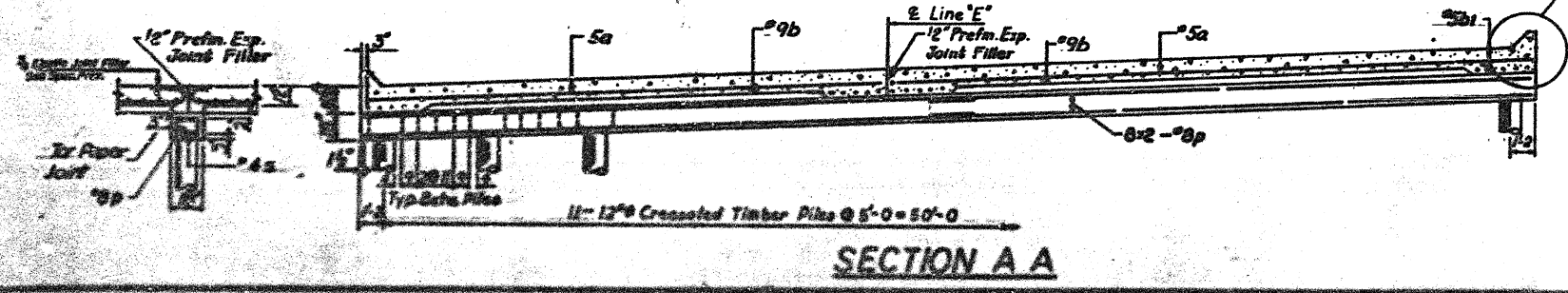
**APPROACH SLAB DETAILS**  
STONY ISLAND CONNECTOR FAI 94  
LINE E STRUCTURE



LONGITUDINAL EXPANSION JOINT

REVISIONS		
DATE	BY	DESCRIPTION

ROBERT L. BENDER, STONE & ASSOCIATES INC. CONSULTING ENGINEER CHICAGO, ILLINOIS	PROJECT EBU 246 (24)
APPROVED: <i>[Signature]</i> CHIEF ENGINEER	SCALE: APPROVED: <i>[Signature]</i>
122	174A 51 57



SECTION A A

2:31:42 PM

3/29/2013

SA1072\_05\_CADD\_S-6-62.dwg 0162471.CADD Sheets 0162471-6012-062-FY18.dgn

BOWMAN, BARRETT & ASSOCIATES INC.  
CONSULTING ENGINEERS  
Chicago, Illinois  
312.228.0100  
www.bbainc.com

USER NAME =	DESIGNED -	REVISED -
PLOT SCALE =	CHECKED - BAK	REVISED -
PLOT DATE = 03/29/2013	DRAWN -	REVISED -
	CHECKED -	REVISED -

STATE OF ILLINOIS  
DEPARTMENT OF TRANSPORTATION

EXISTING PLANS (FOR INFORMATION ONLY)  
STRUCTURE NO. 016-2471

SHEET NO. S-62 OF S-63 SHEETS

F.A.I. RTE.	SECTION	COUNTY	TOTAL SHEETS	SHEET NO.
94	2012-059-BR	COOK	631	555
CONTRACT NO. 60J12				

ILLINOIS FED. AID PROJECT