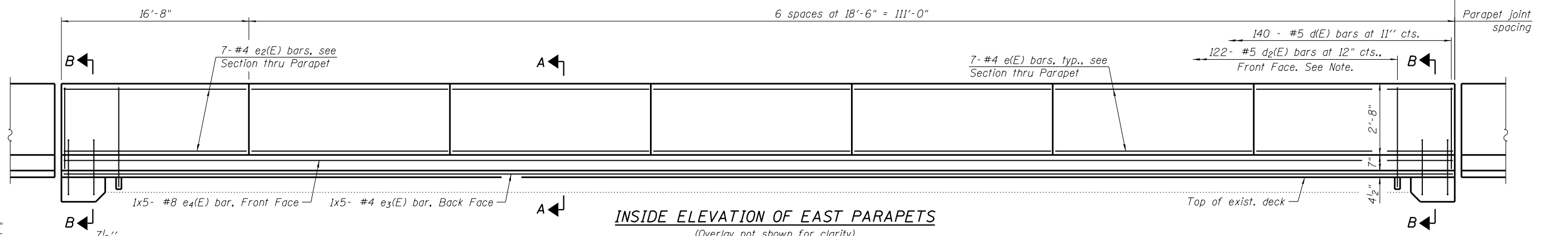
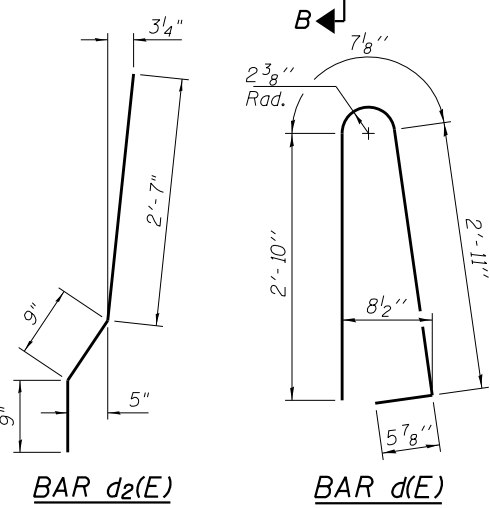


**INSIDE ELEVATION OF WEST PARAPETS**  
(Overlay not shown for clarity)



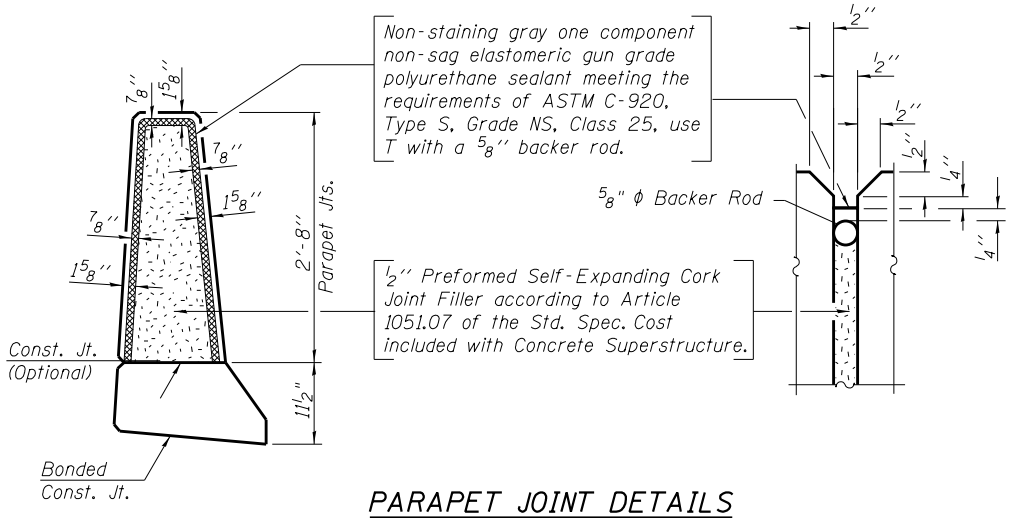
**INSIDE ELEVATION OF EAST PARAPETS**  
(Overlay not shown for clarity)



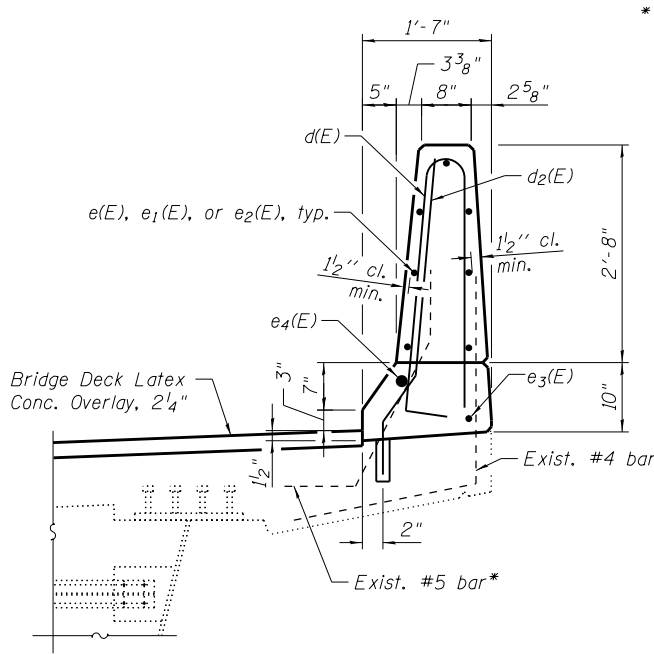
**MINIMUM BAR LAP**

- #4 bar = 2'-0"
- #8 bar = 5'-2"

**Note:**  
Drill and set #5 d2(E) bars in middle of spaces between existing #5 vertical bars in front face of parapet, according to Section 584 of the Standard Specifications. Drilled holes shall be roughened or scored per manufacturer's recommendations. Maximum depth of hole shall not exceed 6". Contractor shall take all necessary precautions to prevent drilled hole interference with deck reinforcement bars.

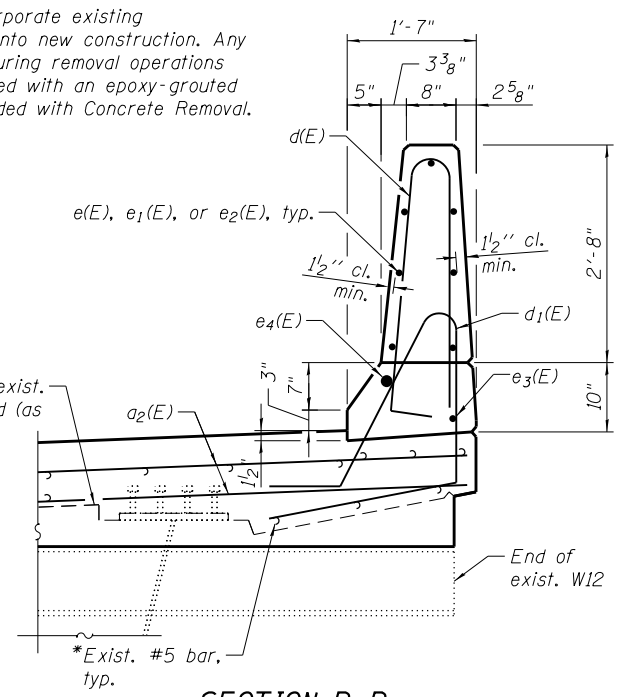


**PARAPET JOINT DETAILS**



**SECTION A-A**

\* Clean and incorporate existing reinforcement into new construction. Any bar damaged during removal operations shall be replaced with an epoxy-grouted bar. Cost included with Concrete Removal.



**SECTION B-B**

**FOUR DECK PARAPETS  
BILL OF MATERIAL**

| Bar                              | No. | Size    | Length  | Shape |
|----------------------------------|-----|---------|---------|-------|
| d(E)                             | 560 | #5      | 6'-10"  | U     |
| d2(E)                            | 490 | #5      | 4'-1"   | U     |
| e(E)                             | 168 | #4      | 18'-2"  | —     |
| e1(E)                            | 14  | #4      | 16'-4"  | —     |
| e2(E)                            | 14  | #4      | 16'-11" | —     |
| e3(E)                            | 20  | #4      | 27'-2"  | —     |
| e4(E)                            | 20  | #8      | 29'-9"  | —     |
| Reinforcement Bars, Epoxy Coated |     | Pound   | 10,380  |       |
| Concrete Superstructure          |     | Cu. Yd. | 69.4    |       |
| Protective Coat                  |     | Sq. Yd. | 246     |       |

2:54:57 PM

3/29/2013

S:\1072\_05\_CADD\Structure\1\SN\_0162441\_2442\CADD\_Sheets\0162441-2442-60J12-006-5001.dgn

BOWMAN, BARRETT & ASSOCIATES INC.  
CONSULTING ENGINEERS  
Chicago, Illinois  
312.228.0100  
www.bbainc.com

|                        |                |           |
|------------------------|----------------|-----------|
| USER NAME =            | DESIGNED - JGC | REVISED - |
| PLOT SCALE =           | CHECKED - BAK  | REVISED - |
| PLOT DATE = 03/29/2013 | DRAWN - JGC    | REVISED - |
|                        | CHECKED - BAK  | REVISED - |

STATE OF ILLINOIS  
DEPARTMENT OF TRANSPORTATION

DECK PARAPET DETAILS  
STRUCTURE NOS. 016-2441 & 016-2442

SHEET NO. S-6 OF S-31 SHEETS

|                    |                     |             |                  |               |
|--------------------|---------------------|-------------|------------------|---------------|
| F.A.I. RTE. 94     | SECTION 2012-059-BR | COUNTY COOK | TOTAL SHEETS 631 | SHEET NO. 562 |
| CONTRACT NO. 60J12 |                     |             |                  |               |

ILLINOIS FED. AID PROJECT