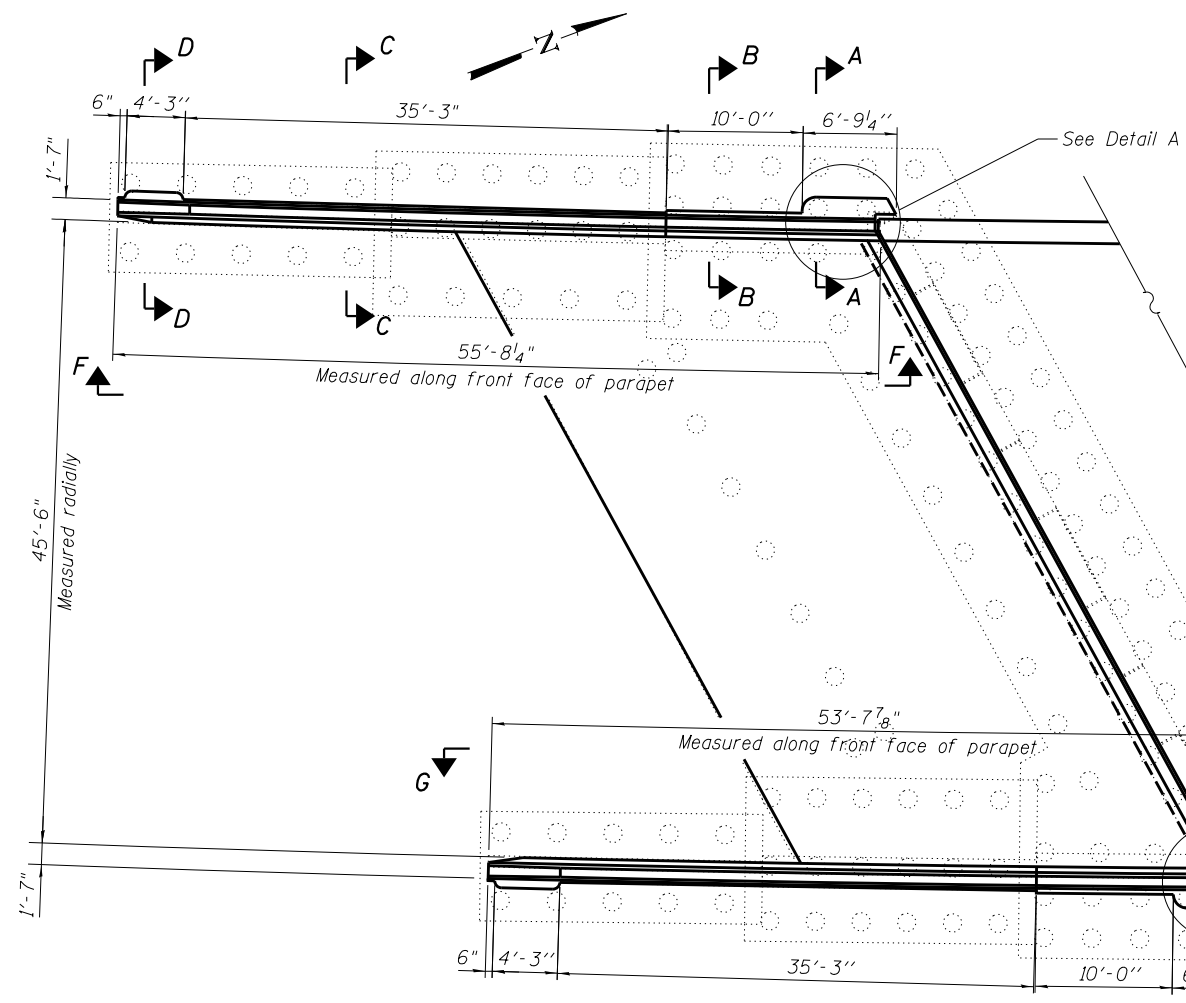
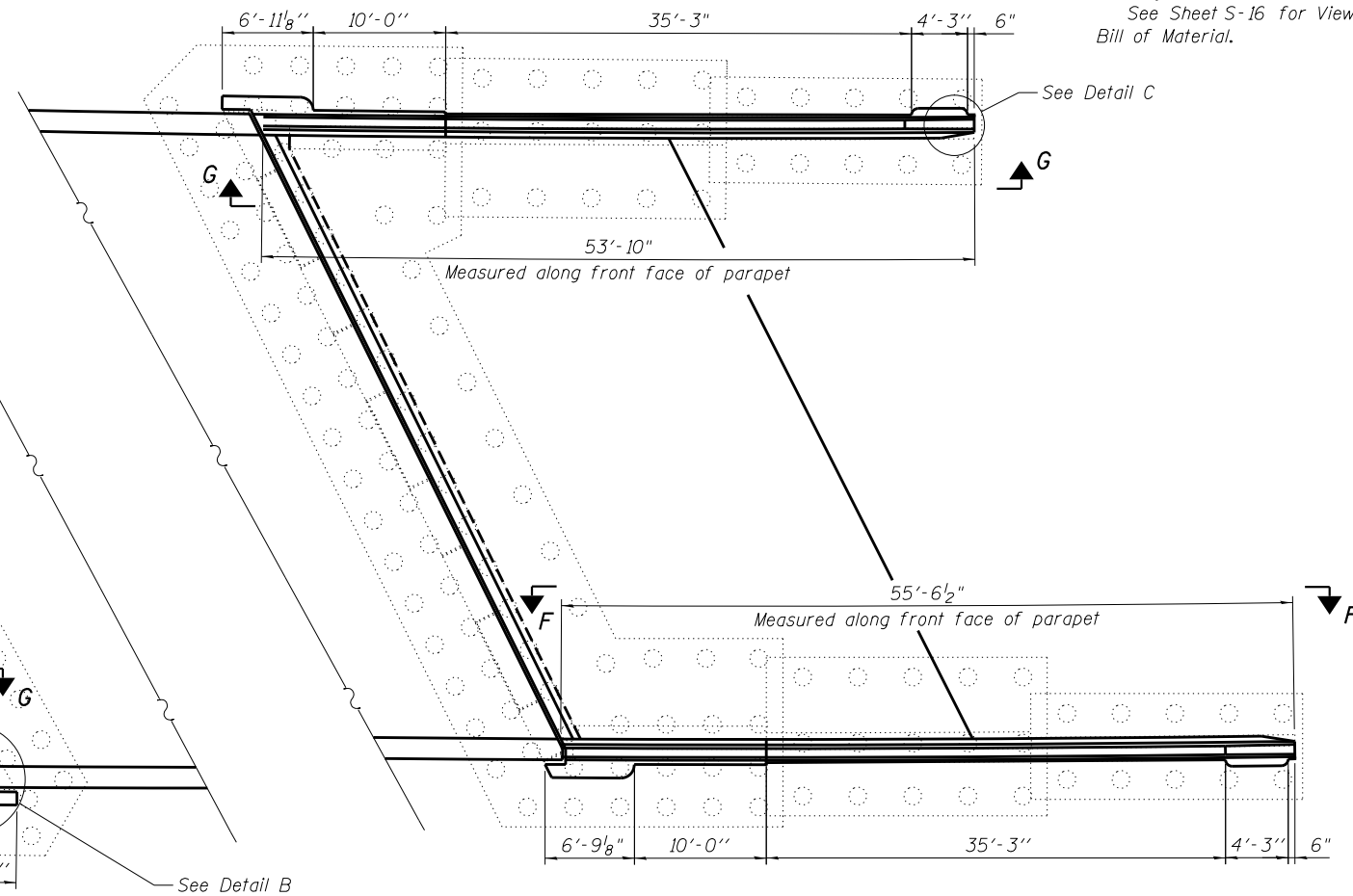


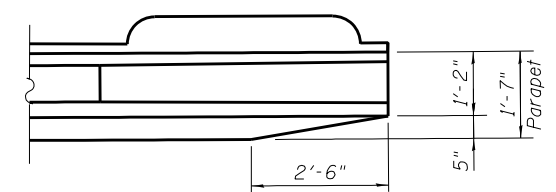
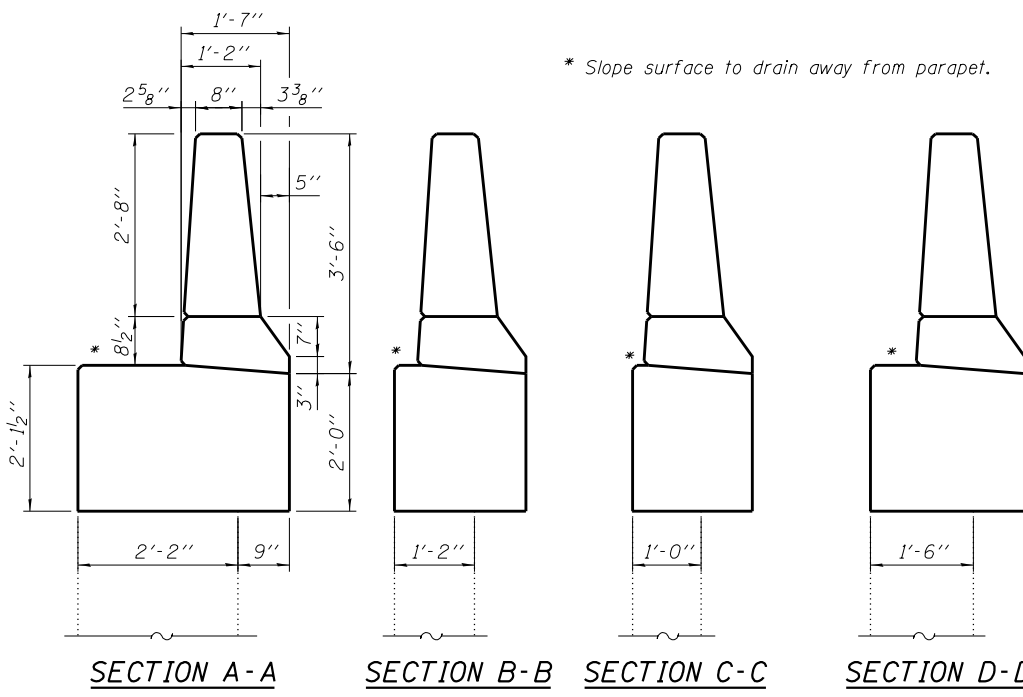
Notes:  
 All dimensions in sections typical unless noted otherwise.  
 All dimensions in plan views measured along outside face of wingwalls unless noted otherwise.  
 See Sheet S-16 for Views F-F and G-G, reinforcement and Bill of Material.



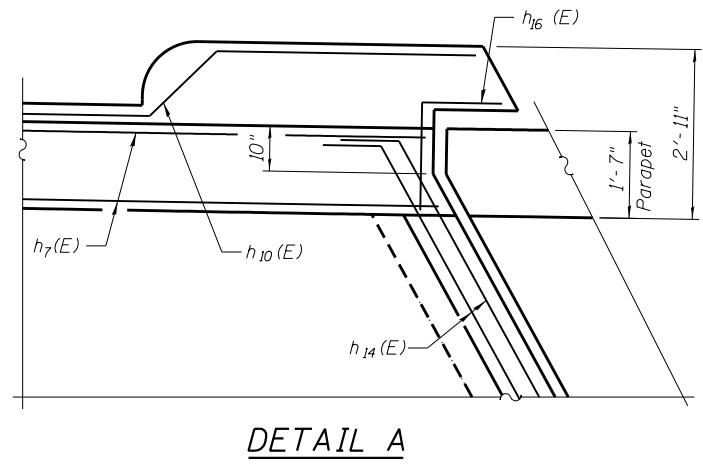
**SOUTH ABUTMENT PLAN**  
 (Both Bridges)



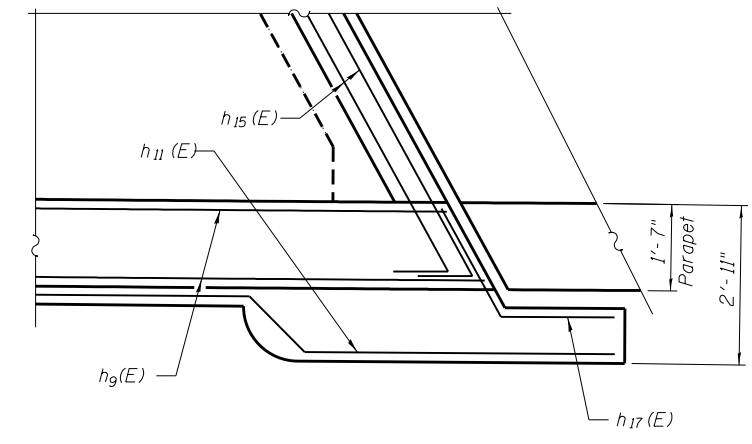
**NORTH ABUTMENT PLAN**  
 (Both Bridges)



**DETAIL C**  
 (Typ. at all wingwalls)



**DETAIL A**



**DETAIL B**

2:55:07 PM

3/29/2013

S:\1072\_05\_CADD\Structure\1\SN\_0162441\_2442\CADD\_Sheets\0162441-2442-60J12-016-AS03.dgn

BOWMAN, BARRETT & ASSOCIATES INC.  
 CONSULTING ENGINEERS  
 Chicago, Illinois  
 312.228.0100  
 www.bbainc.com

USER NAME =	DESIGNED - JGC	REVISD -
PLOT SCALE =	CHECKED - BAK	REVISD -
PLOT DATE = 03/29/2013	DRAWN - JGC	REVISD -
	CHECKED - BAK	REVISD -

STATE OF ILLINOIS  
 DEPARTMENT OF TRANSPORTATION

ABUTMENT & WINGWALL DETAILS I  
 STRUCTURE NOS. 016-2441 & 016-2442

SHEET NO. S-15 OF S-31 SHEETS

F.A.I. RE.	SECTION	COUNTY	TOTAL SHEETS	SHEET NO.
94	2012-059-BR	COOK	631	571
CONTRACT NO. 60J12				

ILLINOIS FED. AID PROJECT