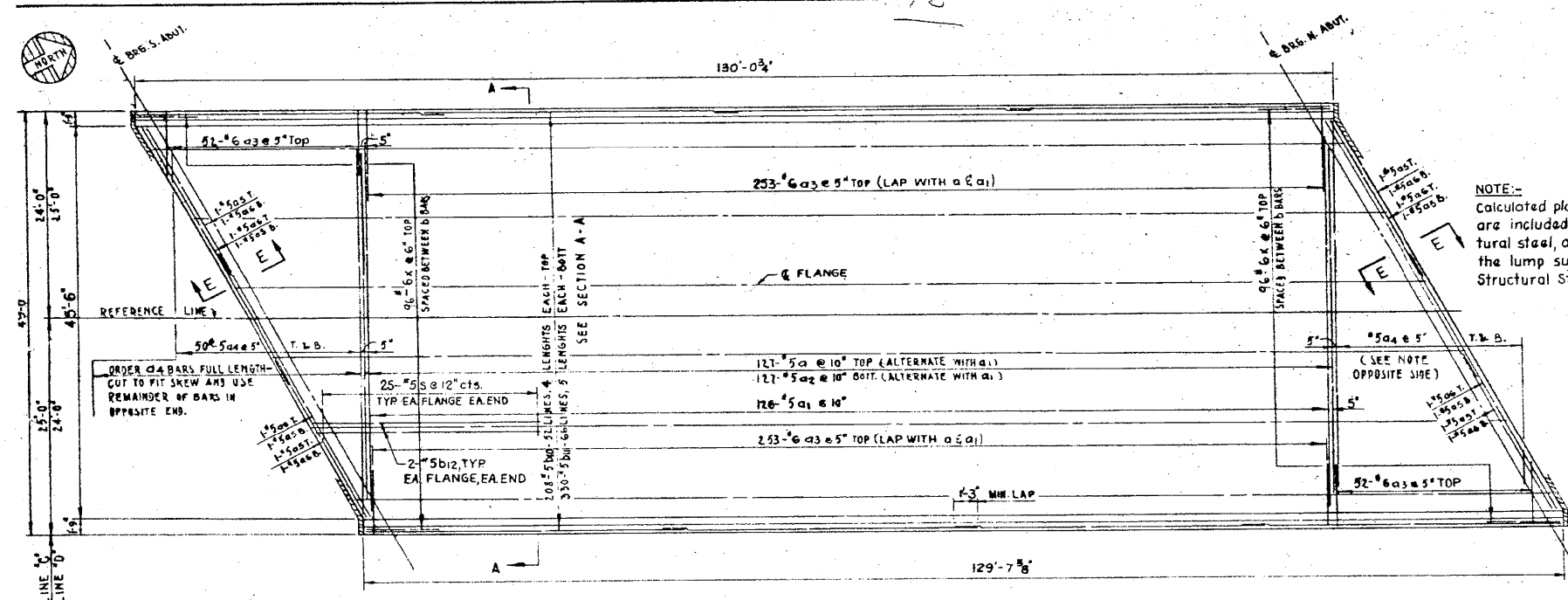
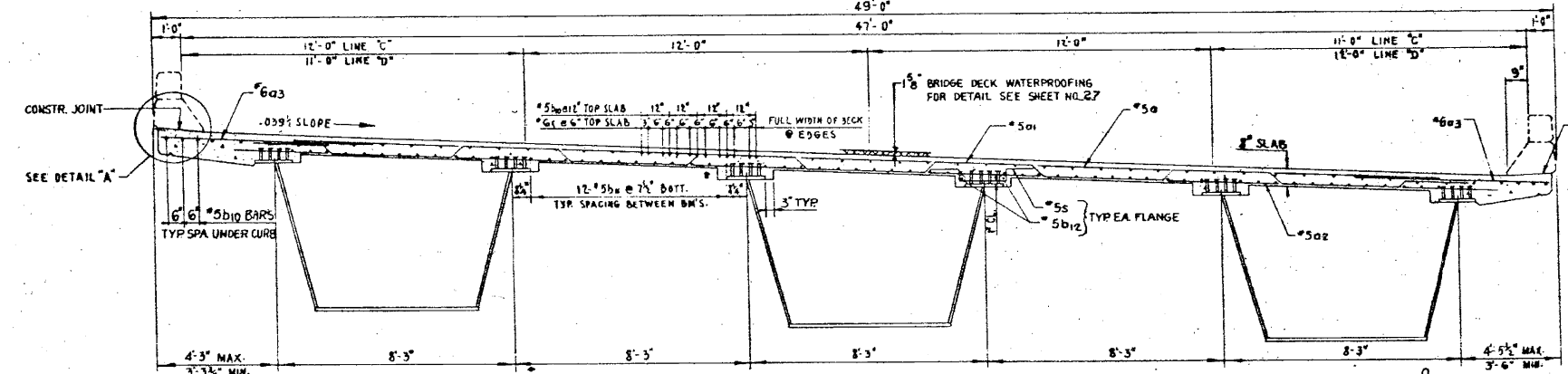
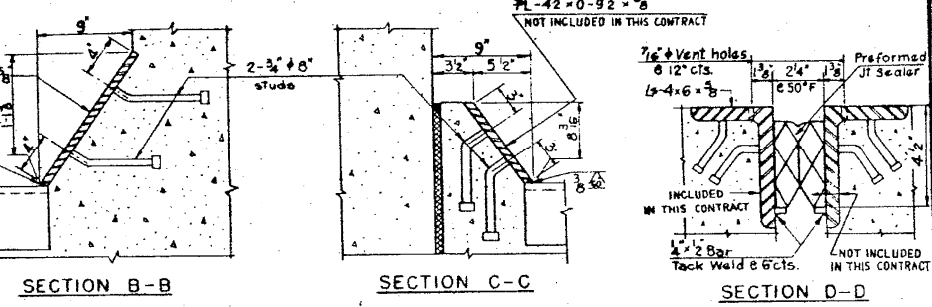
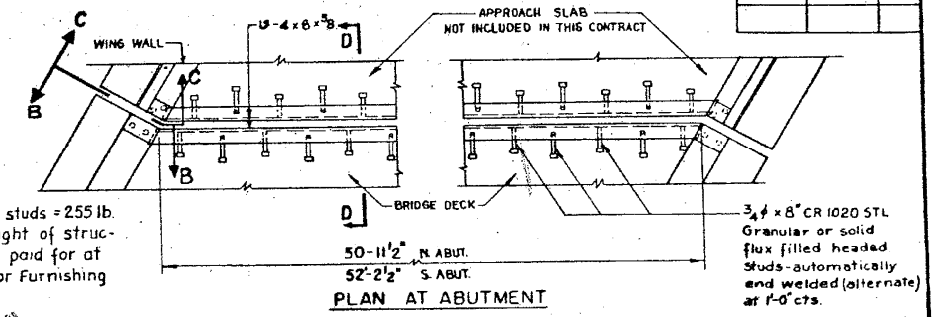


COUNTY PROGRAM		SHEET
ITEM No.	YEAR	No.

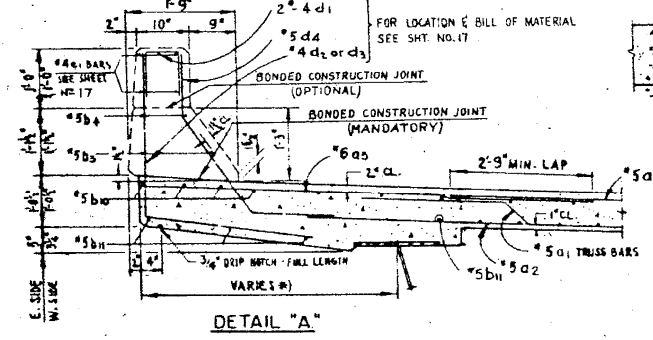


PLAN
SCALE: 1/8" = 1'-0"

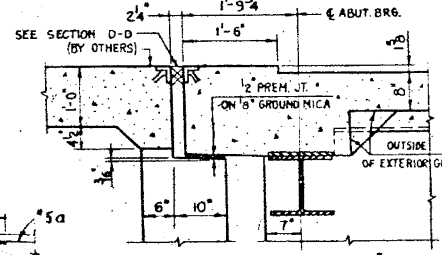


SECTION A-A

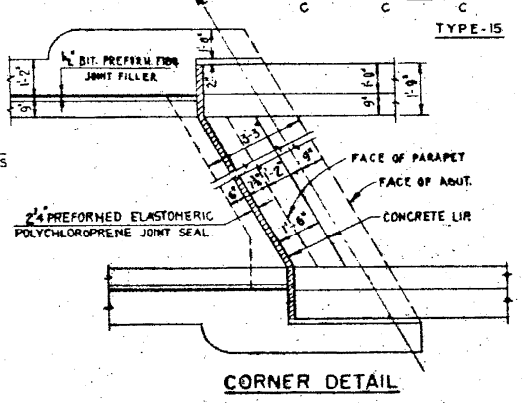
NOTE:-
Handrail concrete shall be Class "X" concrete for Handrail. See special Provision for Portland Cement Concrete Proportioning.



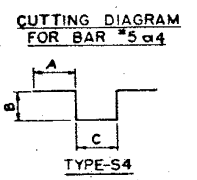
DETAIL "A"



SECTION E-E

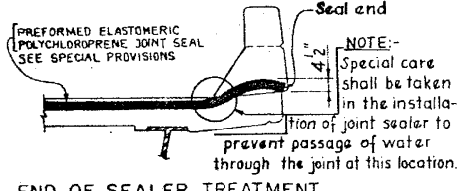


CORNER DETAIL



CUTTING DIAGRAM FOR BAR #5a4

PREFORMED JOINT SEALER



END OF SEALER TREATMENT

SLAB BAR SCHEDULE																
MARK	LINE NO.	LINE D NO.	TOTAL NO.	LGTH	SIZE	SKETCH	TYPE	A	B	C	D	E	F	H	O	LOCATION
a1	127	127	254	40'-0"	#5		15	2-34	0'-7"	4'-1 1/2"	3-3 1/2"					0'-5" 42'-7"
a2	127	127	254	44'-2"	#5											
a3	610	610	1220	7'-1"	#6											
a4	100	100	200	4'-5 1/2"	#5											
a5	8	8	16	1'-0"	#5											
a6	8	8	16	3'-0"	#5											
b1a	208	208	416	33'-4"	#5											
b1b	330	330	660	26'-11"	#5											
b1c	24	24	48	26'-0"	#5											
x	192	192	384	4'-3"	#6											
s	300	300	600	4'-10"	#5		S4	1'-0"	0'-8"	1'-6"						

BILL OF MATERIAL FOR BOTH DECKS	
CLASS "X" CONCRETE	390.8 CU.YDS.
REINFORCEMENT BARS	97 070 LBS.
STRUCTURAL STEEL (THIS SHEET)	4 580 LBS.
BITUMINOUS CONCRETE SURFACE COURSE, CLASS I, 1 1/2"	107 TON
COAL TAR INTERLAYER - PROTECTIVE COAT	1 277 SQ.YDS.
PROTECTIVE COAT	34.3 SQ.YDS.

REVISIONS		
DATE	BY	DESCRIPTION
9/10/10	J.P.	Def. 'A': Bonded Constr. Joints added
		Bill of Mat. Studs deleted
		Joint Sealer Note added

DEPARTMENT OF HIGHWAYS
COOK COUNTY, ILLINOIS

GEORGE W. DUNNE
PRESIDENT BOARD OF COMMISSIONERS

THOMAS G. COTS
SUPERINTENDENT OF HIGHWAYS

DETAILS OF SUPERSTRUCTURE
STONY ISLAND EXPRESSWAY GRADE SEPARATION
OVER
103RD STREET

COMPUTED: [Signature]
CHECKED: [Signature]
DRAWN: [Signature]
CHECKED: [Signature]

PROJECT EBU: 246(44)
SUBMITTED: [Signature]
DATE: [Signature]

EXAMINED: [Signature]
DATE: [Signature]

SECTION NUMBER: 122
SHEET NO.: 6
TOTAL SHEETS: 34
SHEET NO.: S1-140

255521.PM

3/29/2013

S:\1072_05_CADD\Structure\1\SN_0162441_2442\CADD_Sheets\062441-2442-66J12-019-F102.dgn

BOWMAN, BARRETT & ASSOCIATES INC.
CONSULTING ENGINEERS
Chicago, Illinois
312.228.0100
www.bbainc.com

USER NAME =	DESIGNED -	REVISED -
PLOT SCALE =	CHECKED - BAK	REVISED -
PLOT DATE = 03/29/2013	DRAWN -	REVISED -
	CHECKED -	REVISED -

STATE OF ILLINOIS
DEPARTMENT OF TRANSPORTATION

EXISTING PLANS (FOR INFORMATION ONLY)
STRUCTURE NOS. 016-2441 & 016-2442

SHEET NO. S-19 OF S-31 SHEETS

F.A.I. RTE.	SECTION	COUNTY	TOTAL SHEETS	SHEET NO.
94	2012-059-BR	COOK	631	575
CONTRACT NO. 60J12				
ILLINOIS FED. AID PROJECT				