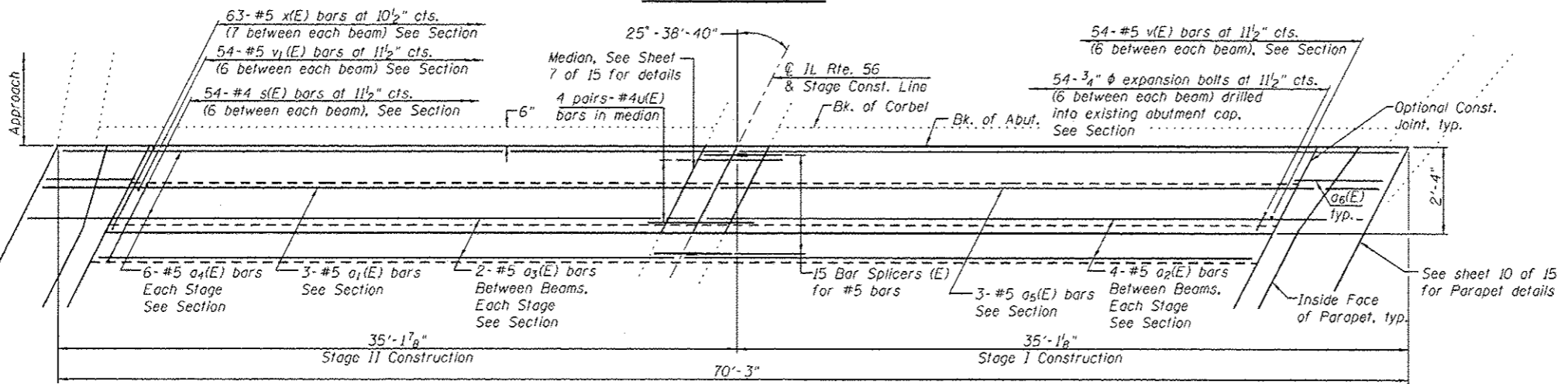
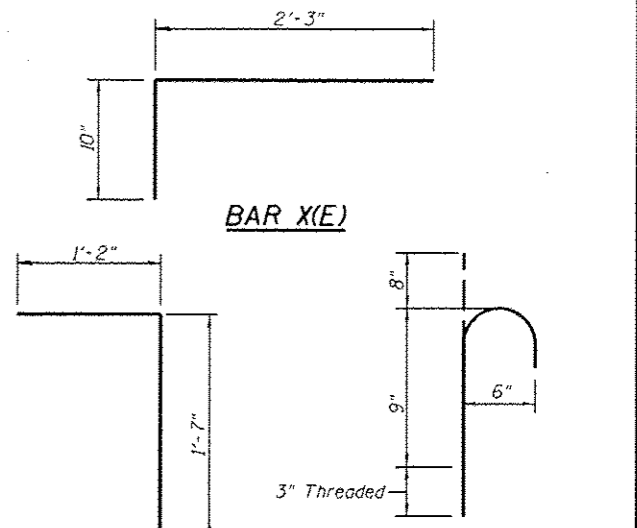


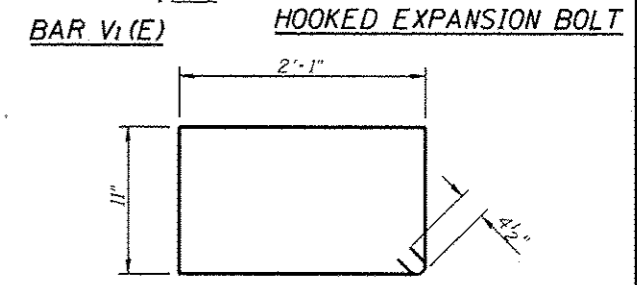
SOUTH ABUTMENT



NORTH ABUTMENT

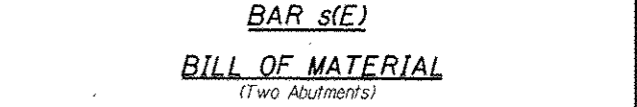


BAR X(E)



BAR V1(E)

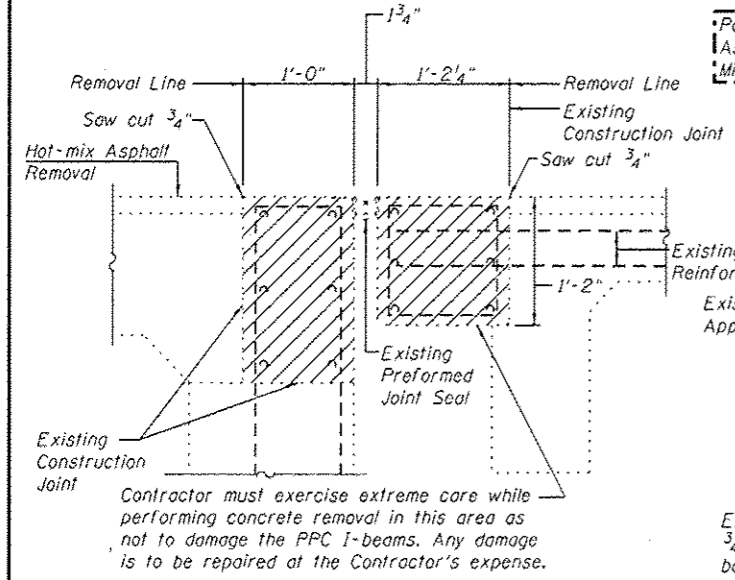
HOOKED EXPANSION BOLT



BAR S(E)

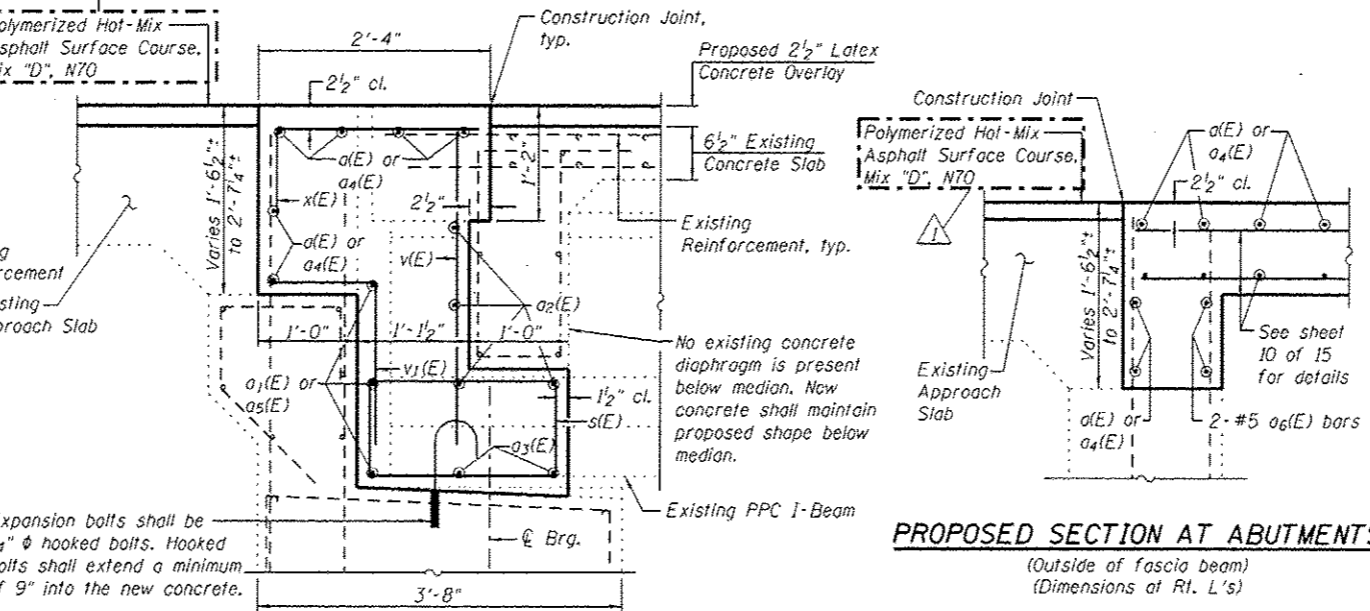
BILL OF MATERIAL
(Two Abutments)

Bar	No.	Size	Length	Shape
a(E)	12	#5	35'-2"	—
a1(E)	6	#5	33'-10"	—
a2(E)	72	#5	6'-1"	—
a3(E)	36	#5	5'-0"	—
a4(E)	12	#5	34'-5"	—
a5(E)	6	#5	31'-5"	—
a6(E)	8	#5	3'-11"	—
s(E)	108	#4	6'-9"	□
u(E)	16	#4	4'-9"	~
v(E)	108	#5	3'-2"	—
v1(E)	108	#5	2'-9"	~
x(E)	126	#5	3'-1"	~
Reinforcement Bars, Epoxy Coated			Pound	3570
Concrete Superstructure			Cu. Yd.	38.0
Expansion Bolts, 3/4"			Each	108



EXISTING CROSS SECTION THRU ABUTMENTS

(Dimensions at Rt. L's)
(Removal limits include existing median)



PROPOSED SECTION AT ABUTMENTS

(From fascia beam to fascia beam)
(Dimensions at Rt. L's)

PROPOSED SECTION AT ABUTMENTS

(Outside of fascia beam)
(Dimensions at Rt. L's)

- Notes:
- Hatched area indicates concrete removal. Perimeter of concrete removal areas shall be saw cut 3/4" prior to removal of the concrete.
 - Existing reinforcement bars in the concrete removal area extending into new construction shall be cleaned and incorporated into the new construction unless otherwise noted. Cost included with Concrete Removal.
 - Any reinforcement bars that are damaged during concrete removal operations shall be repaired or replaced using an approved bar splicer or anchorage system, in accordance with IDOT Standard Specifications Article 501.03. Cost included in "Concrete Removal"
 - Overlay removal is included in pay item Bridge Deck Scarification, 2 1/2".
 - Removal of the existing joint system is included with Concrete Removal.
 - See sheet 7 of 15 for details of u(E) bar.



USER NAME :	DESIGNED - PSS	REVISED - 5/21/2013 AJF
FILE NAME :	CHECKED - TBP	REVISED -
PLOT SCALE :	DRAWN - AJF	REVISED -
PLOT DATE :	CHECKED - MTH	REVISED -

STATE OF ILLINOIS
DEPARTMENT OF TRANSPORTATION

JOINT REPLACEMENT DETAILS AT ABUTMENTS
STRUCTURE NO. 022-0114
SHEET NO. 6 OF 15 SHEETS

F.A.P. RTE.	SECTION	COUNTY	TOTAL SHEETS	SHEET NO.
347	JR-HB-1-1	DUPAGE	30	18
CONTRACT NO. 60N77				
ILLINOIS FED. AID PROJECT				