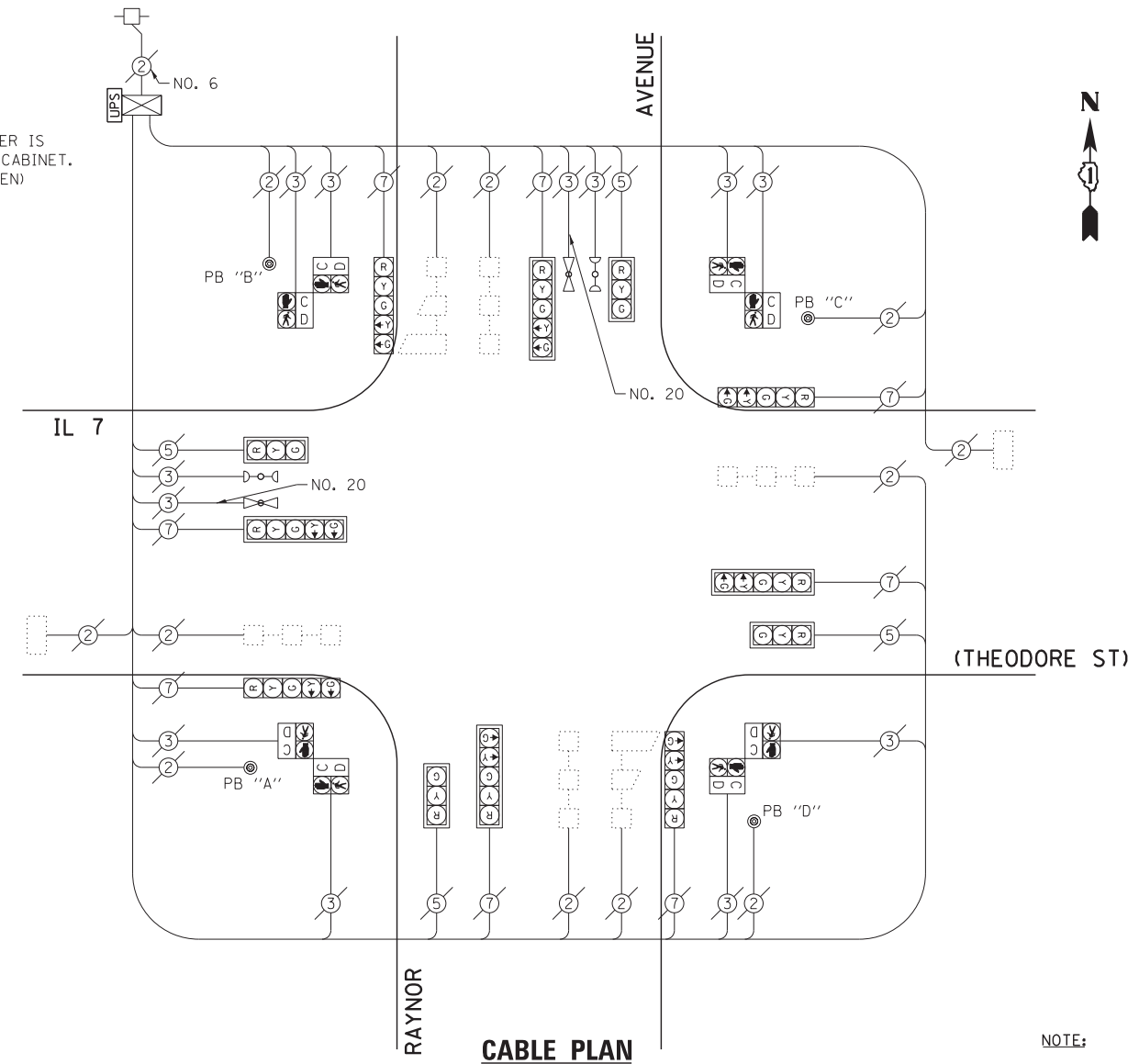


SCHEDULE OF QUANTITIES
IL 7 (THEODORE ST) AT RAYNOR AVENUE

NO.	QUANT.	UNIT	DESCRIPTION
1.	1	EACH	MAINTENANCE OF EXISTING TRAFFIC SIGNAL INSTALLATION
2.	1	EACH	MODIFY EXISTING CONTROLLER CABINET
3.	1	EACH	UNINTERRUPTIBLE POWER SUPPLY, SPECIAL

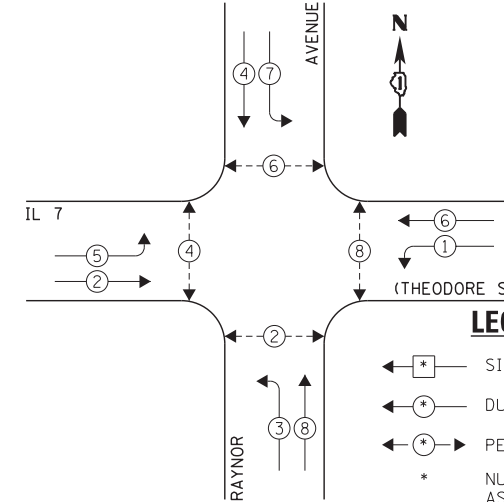
NOTE:
THE EXISTING CONTROLLER IS UNKNOWN IN A TYPE IV CABINET. (CABINET WOULD NOT OPEN)



CABLE PLAN

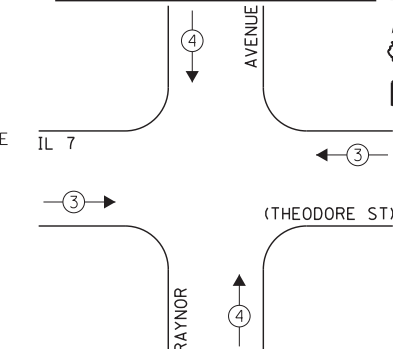
NOTE:
PUSH BUTTON "A" SHALL PLACE A CALL IN PHASES 2 AND 4.
PUSH BUTTON "B" SHALL PLACE A CALL IN PHASES 4 AND 6.
PUSH BUTTON "C" SHALL PLACE A CALL IN PHASES 6 AND 8.
PUSH BUTTON "D" SHALL PLACE A CALL IN PHASES 2 AND 8.

EXISTING CONTROLLER SEQUENCE



EXISTING PHASE DESIGNATION DIAGRAM

EXISTING EMERGENCY VEHICLE PREEMPTION SEQUENCE



LEGEND:

- ← * → SINGLE ENTRY PHASE
- ← * DUAL ENTRY PHASE
- ← * → PEDESTRIAN PHASE
- * NUMBER REFERS TO ASSOCIATED PHASE
- ← * → OL OVERLAP

EXISTING EMERGENCY VEHICLE PREEMPTORS		
EMERGENCY VEHICLE PREEMPTOR	3	4
MOVEMENT	→	↑

I.D.O.T. TRAFFIC SIGNAL INSTALLATION ELECTRICAL SERVICE REQUIREMENTS					TOTAL WATTAGE
TYPE	NO. LAMPS	INCAND.	L.E.D.	OPERATION	
SIGNAL (RED)	12	135	17	0.50	102.0
SIGNAL (YELLOW)	12	135	25	0.25	75.0
SIGNAL (GREEN)	12	135	15	0.25	45.0
ARROW	16	135	12	0.10	19.2
PED. SIGNAL	8	90	25	1.00	200.0
CONTROLLER	1	-	100	1.00	100.0
LUMINAIRE	-	-	250	0.50	-
L.E.D. ST. NAME SIGN	-	-	64	0.50	-
VIDEO SYSTEM	-	-	150	1.00	-
BATTERY BACKUP	1	-	25	1.00	25.0
ILLUMINATED SIGN	-	-	25	0.05	-
TOTAL =					566.2

ENERGY COSTS - BILLED TO: IL DEPT. OF TRANSPORTATION
(ADDRESS) 201 W. CENTER COURT
(ADDRESS) SCHAMBURG, IL 60196-1096
ENERGY SUPPLY - CONTACT: TIM COSLET
PHONE: 815-724-5010
COMPANY: COMED - JOLIET

FILE NAME = 60W21-043-IL7(Theodore St)Raynor Ave.dgn	USER NAME = gwhitten	DESIGNED - JRD	REVISED -
60W21-043	PLOT SCALE = 1:20	DRAWN - GW3	REVISED -
	PLOT DATE = 3/28/2013	CHECKED - KLB	REVISED -
		DATE - 03-28-13	REVISED -

STATE OF ILLINOIS
DEPARTMENT OF TRANSPORTATION

SCHEDULE OF QUANTITIES, CABLE PLAN, PHASE DESIGNATION
DIAGRAM, & EMERGENCY VEHICLE PREEMPTION SEQUENCE
IL 7 (THEODORE ST) AT RAYNOR AVENUE

F.A. RTE.	SECTION	COUNTY	TOTAL SHEETS	SHEET NO.
VAR	2013-003-I	WILL	89	43
CONTRACT NO. 60W21				
ILLINOIS FED. AID PROJECT				