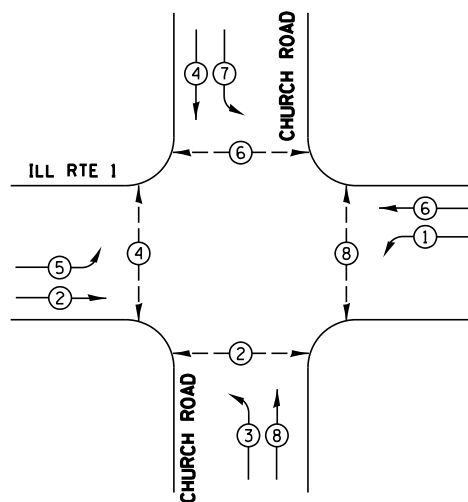


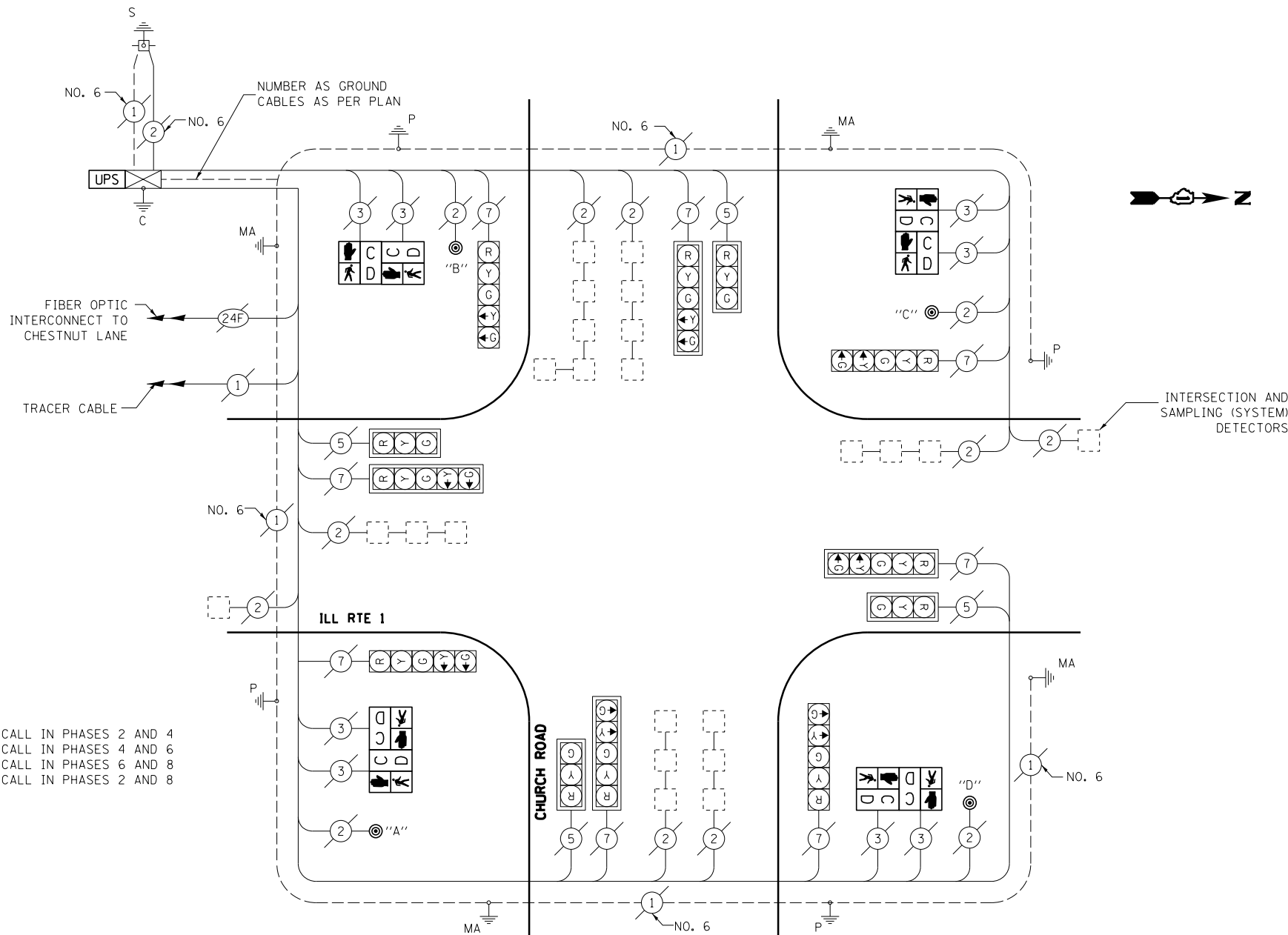
EXISTING CONTROLLER SEQUENCE



PHASE DESIGNATION DIAGRAM

- LEGEND**
- ⊙ DUAL ENTRY PHASE
 - ⊛ SINGLE ENTRY PHASE
 - ⊙ OL OVERLAP
 - ⊙ PEDESTRAIN PHASE
 - * NUMBER REFERS TO ASSOCIATED PHASE

NOTES:
 PUSH BUTTON "A" SHALL PLACE A CALL IN PHASES 2 AND 4
 PUSH BUTTON "B" SHALL PLACE A CALL IN PHASES 4 AND 6
 PUSH BUTTON "C" SHALL PLACE A CALL IN PHASES 6 AND 8
 PUSH BUTTON "D" SHALL PLACE A CALL IN PHASES 2 AND 8



CABLE PLAN

SCHEDULE OF QUANTITIES

| QTY | UNIT | ITEM |
|-----|------|---|
| 1 | EACH | MAINTENANCE OF EXISTING TRAFFIC SIGNAL INSTALLATION |
| 4 | EACH | PEDESTRIAN SIGNAL HEAD, LED, 2-FACE, BRACKET MOUNTED WITH COUNTDOWN TIMER |
| 1 | EACH | MODIFY EXISTING CONTROLLER CABINET |
| 1 | EACH | UNINTERRUPTABLE POWER SUPPLY, SPECIAL |
| 4 | EACH | PEDESTRIAN PUSH-BUTTON, NON-LATCHING |
| 1 | EACH | REMOVE EXISTING TRAFFIC SIGNAL EQUIPMENT |

REMOVAL OF EXISTING TRAFFIC SIGNAL EQUIPMENT

THE FOLLOWING ITEMS SHALL BE REMOVED BY THE CONTRACTOR AND SHALL BE DISPOSED OF BY THEM OUTSIDE THE RIGHT-OF-WAY AT THEIR EXPENSE. THE SALVAGE VALUE OF THE REMOVED EQUIPMENT SHALL BE REFLECTED IN THE CONTRACT BID PRICE.

- 4 EACH PEDESTRIAN SIGNAL HEAD, 2 FACE
- 4 EACH PEDESTRIAN PUSH BUTTON

| I.D.O.T. TRAFFIC SIGNAL INSTALLATION ELECTRICAL SERVICE REQUIREMENTS | | | | TOTAL WATTAGE |
|--|--------------|------------------------|-------------|------------------|
| TYPE | NO. OF LAMPS | WATTAGE INCAND. LED | % OPERATION | |
| SIGNAL (RED) | 12 | 17 | 0.50 | 102.0 |
| (YELLOW) | 12 | 25 | 0.25 | 75.0 |
| (GREEN) | 12 | 15 | 0.25 | 45.0 |
| ARROW | 16 | 12 | 0.10 | 19.2 |
| PED. SIGNAL | 8 | 25 | 1.00 | 200.0 |
| CONTROLLER | 1 | 100 | 1.00 | 100.0 |
| ILLUM. SIGN | | 25 | 0.05 | |
| VIDEO SYSTEM | | 150 | 1.00 | |
| FLASHER | 1 | | 0.50 | 0 |
| ENERGY COSTS TO: | | | | TOTAL = 541.2 |

ILLINOIS DEPARTMENT OF TRANSPORTATION
 DIVISION OF HIGHWAY/DISTRICT 1
 201 WEST CENTER COURT/SCHAUMBURG, ILLINOIS 60196-1096
 ENERGY SUPPLY: CONTACT: CHIP KREGEL
 PHONE: 708-253-2238
 COMPANY: COMMONWEALTH EDISON

| | | | |
|--|-----------------------------|------------|-----------|
| FILE NAME = | USER NAME = rosadovazquezzy | DESIGNED - | REVISED - |
| ca:\pwwork\pwwork\rosadovazquezzy\d0336778\0121713-sh-t-TS.dgn | | DRAWN - | REVISED - |
| Default | PLOT SCALE = 40.0000' / in. | CHECKED - | REVISED - |
| | PLOT DATE = 3/28/2013 | DATE - | REVISED - |

**STATE OF ILLINOIS
DEPARTMENT OF TRANSPORTATION**

**IL ROUTE 1 (DIXIE HIGHWAY) AND CHURCH ROAD
SCHEDULE OF QUANTITIES, CABLE PLAN, PHASE DESIGNATION DIAGRAM**

SCALE: NTS SHEET OF SHEETS STA. TO STA.

| F.A. RTE. | SECTION | COUNTY | TOTAL SHEETS | SHEET NO. |
|--------------------|------------|--------|---------------------------|-----------|
| VAR | 2013-004-1 | WILL | 58 | 16 |
| CONTRACT NO. 60W22 | | | ILLINOIS FED. AID PROJECT | |

BEECHER TS#7503