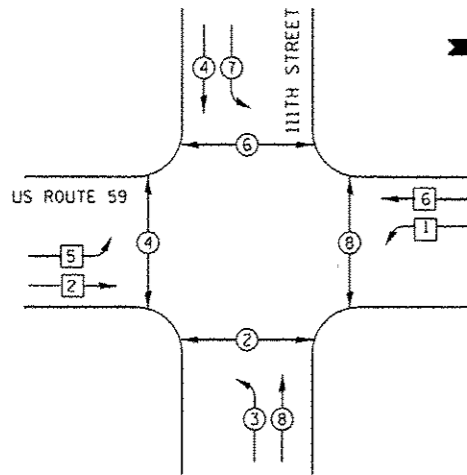


EXISTING CONTROLLER SEQUENCE



LEGEND

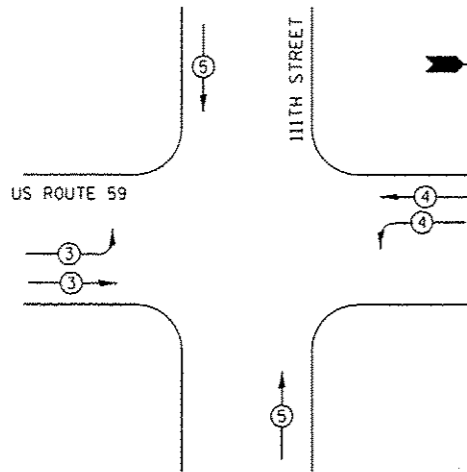
- DUAL ENTRY PHASE
- SINGLE ENTRY PHASE
- △ OVERLAP
- ◇ PEDESTRAIN PHASE
- NUMBER REFERS TO ASSOCIATED PHASE

NOTES:

- PUSH BUTTON "A" SHALL PLACE A CALL IN PHASES 2 AND 4
- PUSH BUTTON "B" SHALL PLACE A CALL IN PHASES 4 AND 6
- PUSH BUTTON "C" SHALL PLACE A CALL IN PHASES 6 AND 8
- PUSH BUTTON "D" SHALL PLACE A CALL IN PHASES 2 AND 8

PHASE DESIGNATION DIAGRAM

EXISTING EMERGENCY VEHICLE PREEMPTION SEQUENCE

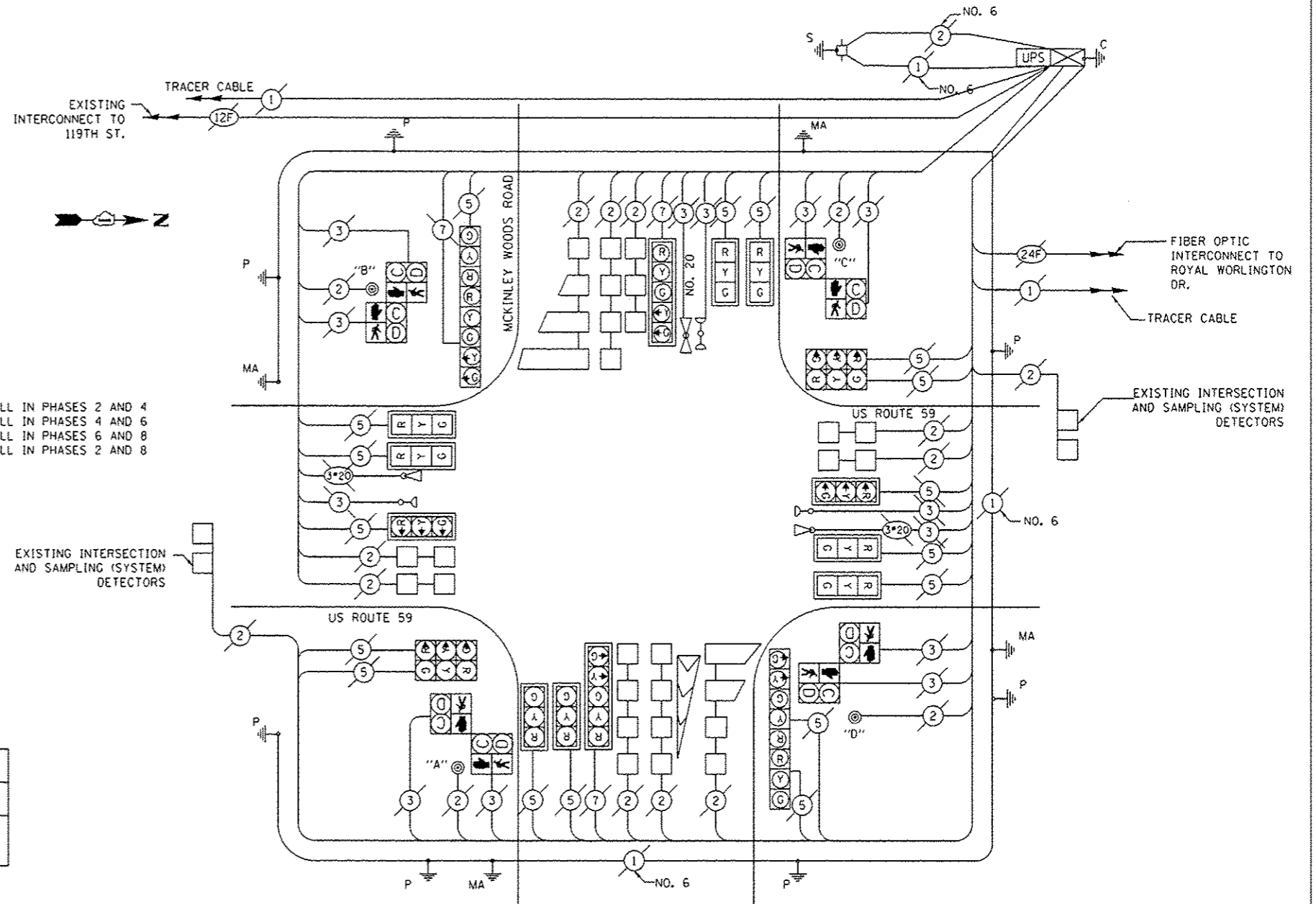


EXISTING EMERGENCY VEHICLE PREEMPTORS			
EMERGENCY VEHICLE PREEMPTOR	3	4	5
MOVEMENT			

SCHEDULE OF QUANTITIES

QTY	UNIT	ITEM
1	EACH	MAINTENANCE OF EXISTING TRAFFIC SIGNAL INSTALLATION
1	EACH	MODIFY EXISTING CONTROLLER CABINET
1	EACH	UNINTERRUPTABLE POWER SUPPLY, SPECIAL

CABLE PLAN



I.D.O.T. TRAFFIC SIGNAL INSTALLATION ELECTRICAL SERVICE REQUIREMENTS				TOTAL WATTAGE
TYPE	NO. OF LAMPS x INCAND.	WATTAGE LED	% OPERATION	
SIGNAL (RED)	20	17	0.50	170.0
(YELLOW)	20	25	0.25	125.0
(GREEN)	20	15	0.25	75.0
ARROW	8	12	0.10	9.60
PED. SIGNAL	8	25	1.00	200.0
CONTROLLER	1	100	1.00	100.0
ILLUM. SIGN		25	0.05	
VIDEO SYSTEM		150	1.00	
FLASHER			0.50	
ENERGY COSTS TO:				TOTAL = 679.60

ILLINOIS DEPARTMENT OF TRANSPORTATION
DIVISION OF HIGHWAY/DISTRICT 1
201 WEST CENTER COURT/SCHAUMBURG, ILLINOIS 60196-1096
ENERGY SUPPLY: CONTACT: GARY ENBERG
PHONE: 630-965-2916
COMPANY: COMMONWEALTH EDISON

STATE OF ILLINOIS
DEPARTMENT OF TRANSPORTATION

IL ROUTE 59 AT 111TH STREET
SCHEDULE OF QUANTITIES, CABLE PLAN, PHASE DESIGNATION DIAGRAM
AND EMERGENCY VEHICLE PREEMPTION SEQUENCE

NAPERVILLE TS # 21860

F.A. RTE.	SECTION	COUNTY	TOTAL SHEETS	SHEET NO.
VAR	2013-004-1	WILL	58	38
			CONTRACT NO. 60W22	
ILLINOIS FED. AID PROJECT				

SCALE: NTS SHEET OF SHEETS STA. TO STA.

Rev.