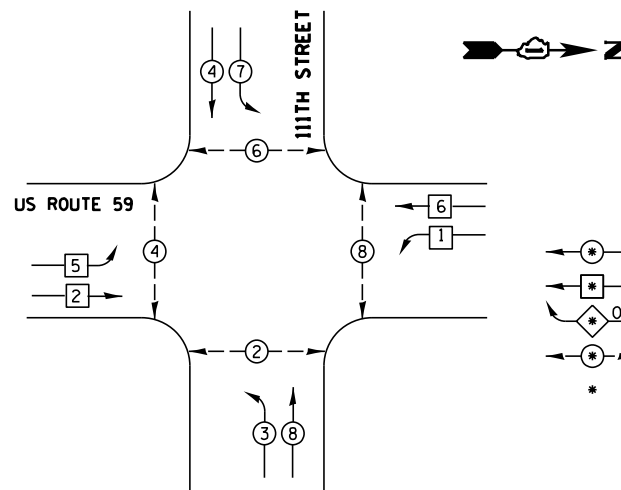


EXISTING CONTROLLER SEQUENCE



LEGEND

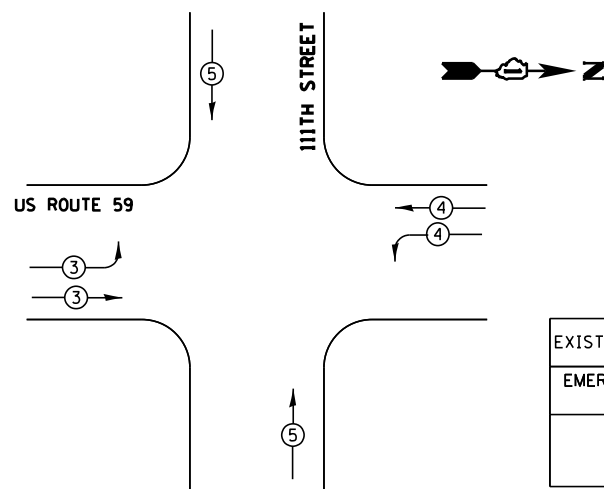
- ⊙ DUAL ENTRY PHASE
- ⊠ SINGLE ENTRY PHASE
- ⊠_{OL} OVERLAP
- ⊠_P PEDESTRIAN PHASE
- * NUMBER REFERS TO ASSOCIATED PHASE

NOTES:

- PUSH BUTTON "A" SHALL PLACE A CALL IN PHASES 2 AND 4
- PUSH BUTTON "B" SHALL PLACE A CALL IN PHASES 4 AND 6
- PUSH BUTTON "C" SHALL PLACE A CALL IN PHASES 6 AND 8
- PUSH BUTTON "D" SHALL PLACE A CALL IN PHASES 2 AND 8

PHASE DESIGNATION DIAGRAM

EXISTING EMERGENCY VEHICLE PREEMPTION SEQUENCE

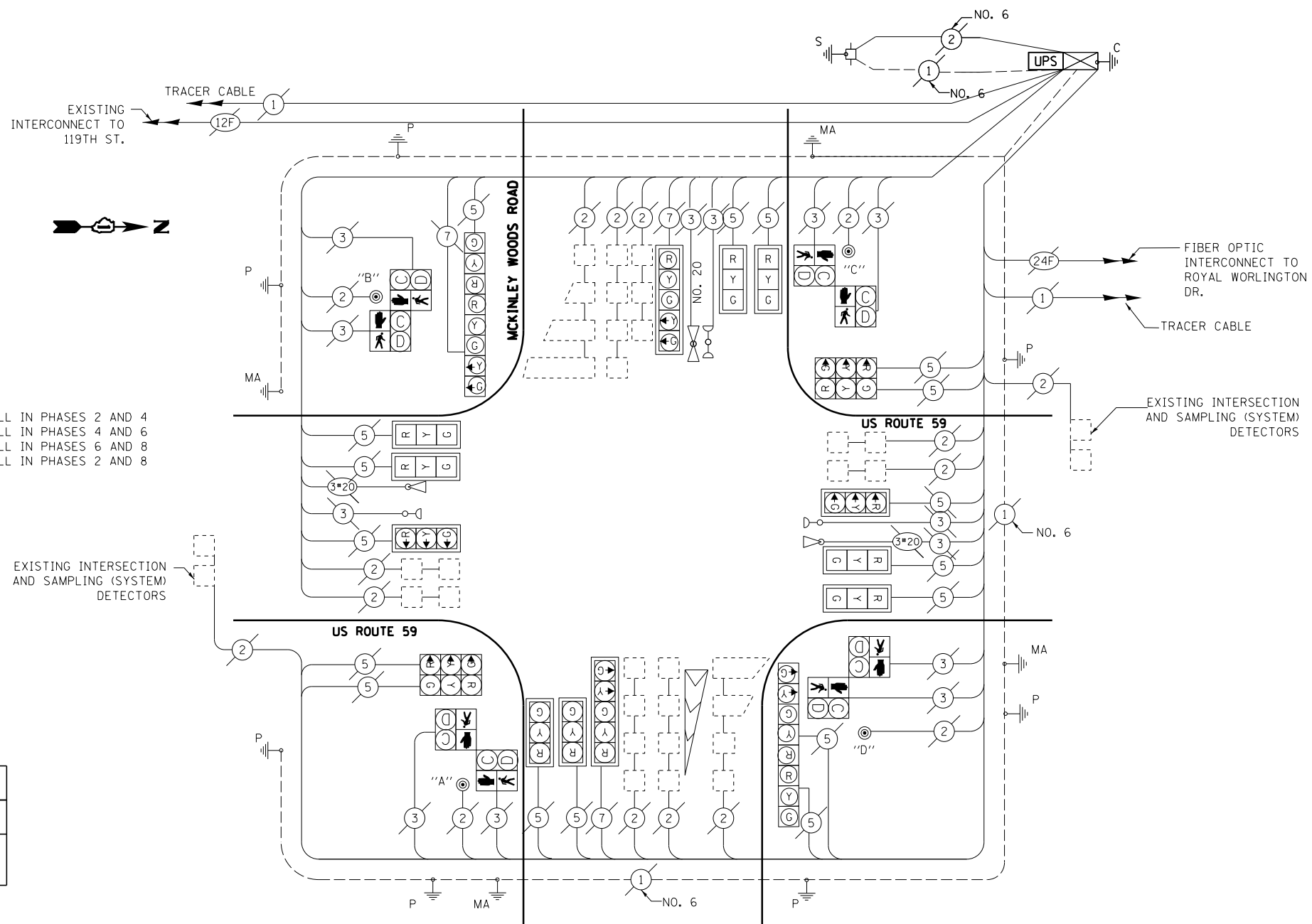


EXISTING EMERGENCY VEHICLE PREEMPTORS			
EMERGENCY VEHICLE PREEMPTOR	3	4	5
MOVEMENT	→	←	↑

SCHEDULE OF QUANTITIES

QTY	UNIT	ITEM
1	EACH	MAINTENANCE OF EXISTING TRAFFIC SIGNAL INSTALLATION
1	EACH	MODIFY EXISTING CONTROLLER CABINET
1	EACH	UNINTERRUPTABLE POWER SUPPLY, SPECIAL

CABLE PLAN



I.D.O.T. TRAFFIC SIGNAL INSTALLATION ELECTRICAL SERVICE REQUIREMENTS				TOTAL WATTAGE
TYPE	NO. OF LAMPS	WATTAGE (INCAND. LED)	% OPERATION	
SIGNAL (RED)	20	17	0.50	170.0
(YELLOW)	20	25	0.25	125.0
(GREEN)	20	15	0.25	75.0
ARROW	8	12	0.10	9.60
PED. SIGNAL	8	25	1.00	200.0
CONTROLLER	1	100	1.00	100.0
ILLUM. SIGN		25	0.05	
VIDEO SYSTEM		150	1.00	
FLASHER			0.50	
ENERGY COSTS TO:				TOTAL = 679.60

ILLINOIS DEPARTMENT OF TRANSPORTATION
 DIVISION OF HIGHWAY/DISTRICT 1
 201 WEST CENTER COURT/SCHAUMBURG, ILLINOIS 60196-1096
 ENERGY SUPPLY: CONTACT: GARY ENBERG
 PHONE: 630-965-2916
 COMPANY: COMMONWEALTH EDISON