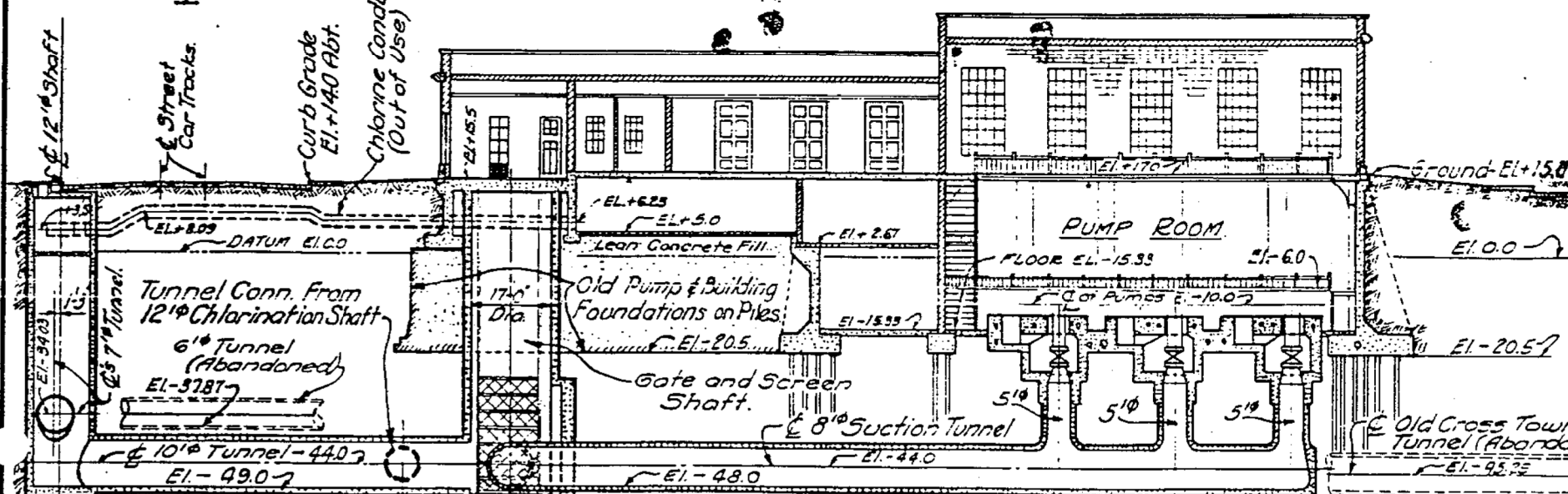
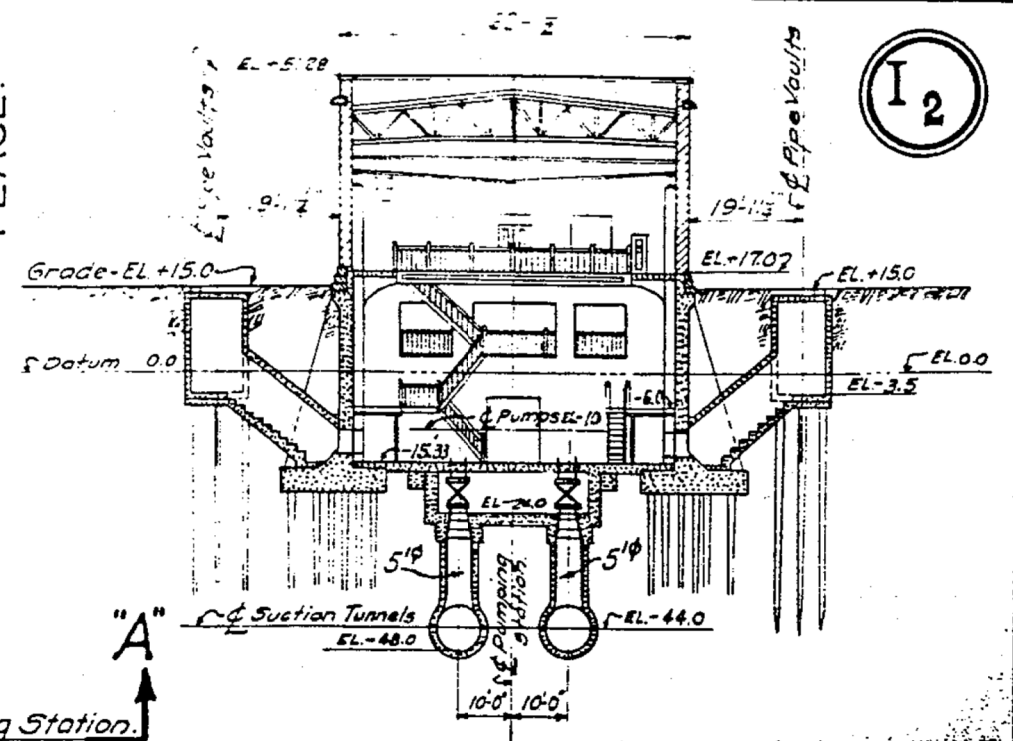


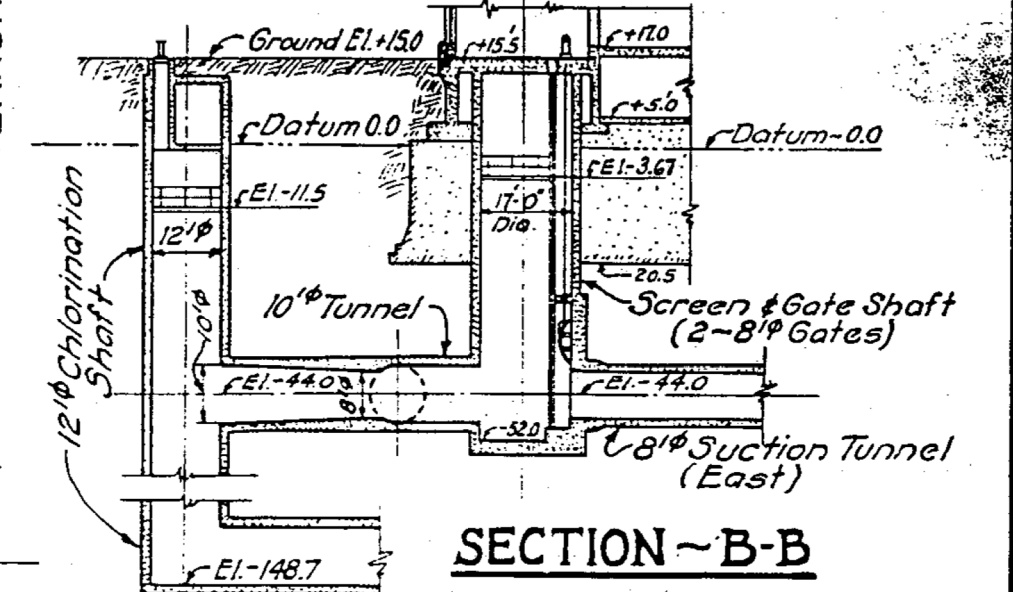
GENERAL PLAN



LONGITUDINAL SECTION "A-A"



CROSS SECTION THROUGH PUMP ROOM



SECTION ~B-B

FOR INFORMATION ONLY
SUBJECT TO VERIFICATION

CITY OF CHICAGO
DEPARTMENT OF PUBLIC WORKS
BUREAU OF ENGINEERING
DIVISION OF WATER WORKS DESIGN

CERMAK PUMPING STATION

SCALE: 1 in. = 40 ft. APRIL, 1937
Revised May 1940. T.A.R. 1057 FILE 3-N

FILE NAME = 8FILES

COLLINS ENGINEERS

USER NAME = r9e11
PLOT SCALE = 2,0000 1/ in.
PLOT DATE = 4/12/2013

DESIGNED -
DRAWN -
CHECKED -
DATE -

REVISED -
REVISED -
REVISED -
REVISED -

STATE OF ILLINOIS
DEPARTMENT OF TRANSPORTATION

RECORD DRAWING

SCALE: SHEET NO. OF SHEETS STA. TO STA.

F.A.I. RTE. 90/94	SECTION 0101.6-2P-1-3 (13)	COUNTY COOK	TOTAL SHEETS 37	SHEET NO. 14
CONTRACT NO. 60W36			FED. ROAD DIST. NO. 1 ILLINOIS FED. AID PROJECT	