

TRAFFIC CONTROL DESCRIPTION

WORK ADJACENT TO EAST SERVICE DRIVE

**CONSTRUCTION:**  
PERFORM VEGETATION PROTECTION AND REMOVAL, EROSION CONTROL, EARTHWORK AND PATH CONSTRUCTION

**MAINTENANCE OF TRAFFIC:**  
THE ABOVE WORK WILL BE PERFORMED USING IDOT STANDARD 701601 TO CLOSE HALF OF THE EAST SERVICE DRIVE. ONE LANE OF THROUGH TRAFFIC SHALL BE MAINTAINED AT ALL TIMES.

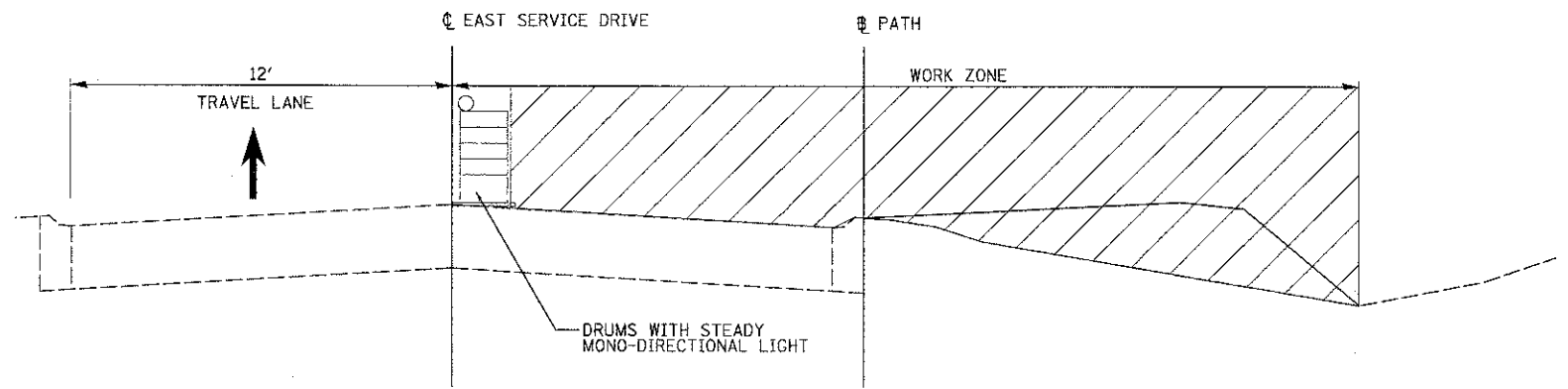
WORK ADJACENT TO LAKE COOK ROAD

**CONSTRUCTION:**  
PERFORM VEGETATION PROTECTION AND REMOVAL, EROSION CONTROL, EARTHWORK, PATH AND BOARDWALKS #1 AND #2 CONSTRUCTION.

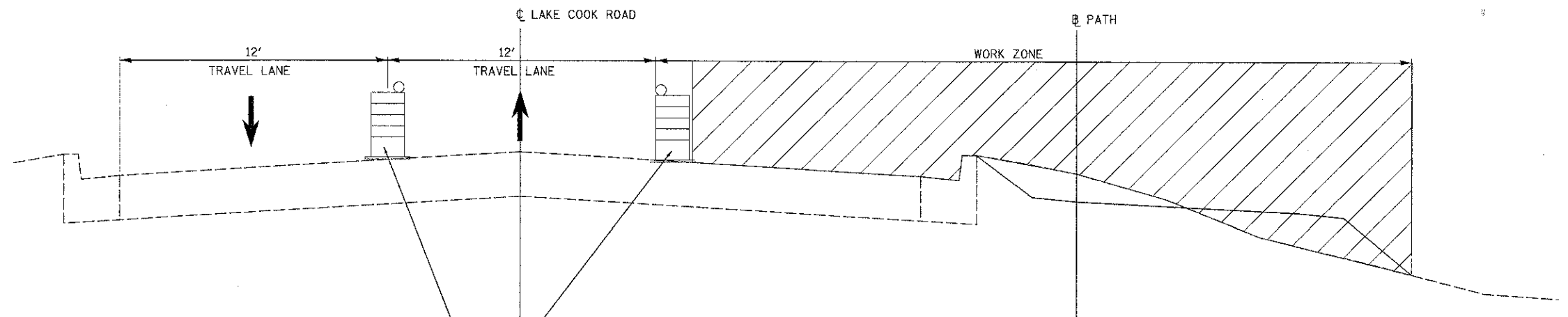
**MAINTENANCE OF TRAFFIC:**  
THE ABOVE WORK WILL BE PERFORMED USING IDOT STANDARD 701502 TO REROUTE EASTBOUND TRAFFIC TO THE TURN LANE. TWO WAY TRAFFIC ON LAKE COOK ROAD MUST BE MAINTAINED AT ALL TIMES. WHEN A LANE CLOSURE ON LAKE COOK ROAD IS NOT NECESSARY, IDOT STANDARD 701006 CAN BE UTILIZED FOR TRAFFIC CONTROL.

TRAFFIC CONTROL GENERAL NOTES

1. PRIOR TO REMOVING TRAFFIC CONTROL AND OPENING CLOSED PAVEMENT AREAS TO TRAFFIC, THE CONTRACTOR SHALL SWEEP THE PAVEMENT SURFACE CLEAN. THIS WORK WILL NOT BE PAID FOR SEPARATELY BUT SHALL BE INCLUDED IN THE CONTRACT UNIT PRICE FOR "TRAFFIC CONTROL AND PROTECTION, (SPECIAL)."
2. THE CONTRACTOR SHALL NOT COMMENCE ANY LANE CLOSURES UNTIL NOTIFYING THE ENGINEER AT LEAST 7 CALENDAR DAYS IN ADVANCE OF THE DATE THE CONTRACTOR PROPOSES TO BEGIN THE CLOSURE. PLACEMENT OF TRAFFIC CONTROL ON THE EAST SERVICE DRIVE MUST BE COORDINATED WITH THE CHICAGO BOTANIC GARDEN TO AVOID LANE CLOSURE DURING PEAK VISITING TIMES.
3. THE TRAFFIC CONTROL ON THE EAST SERVICE DRIVE AND LAKE COOK ROAD SHALL REMAIN IN PLACE ONLY AS LONG AS NECESSARY TO SAFELY COMPLETE THE ADJACENT WORK. THE TRAFFIC CONTROL ALONG THE EAST SERVICE DRIVE WILL BE ALLOWED TO REMAIN IN PLACE FOR A MAXIMUM OF 20 WORKING DAYS. THE TRAFFIC CONTROL ALONG LAKE COOK ROAD WILL BE ALLOWED TO REMAIN IN PLACE FOR A MAXIMUM OF 17 WORKING DAYS.



EAST SERVICE DRIVE MAINTENANCE OF TRAFFIC  
STA. 10+30 TO STA. 18+75



LAKE COOK ROAD MAINTENANCE OF TRAFFIC  
STA. 22+00 TO STA. 31+60