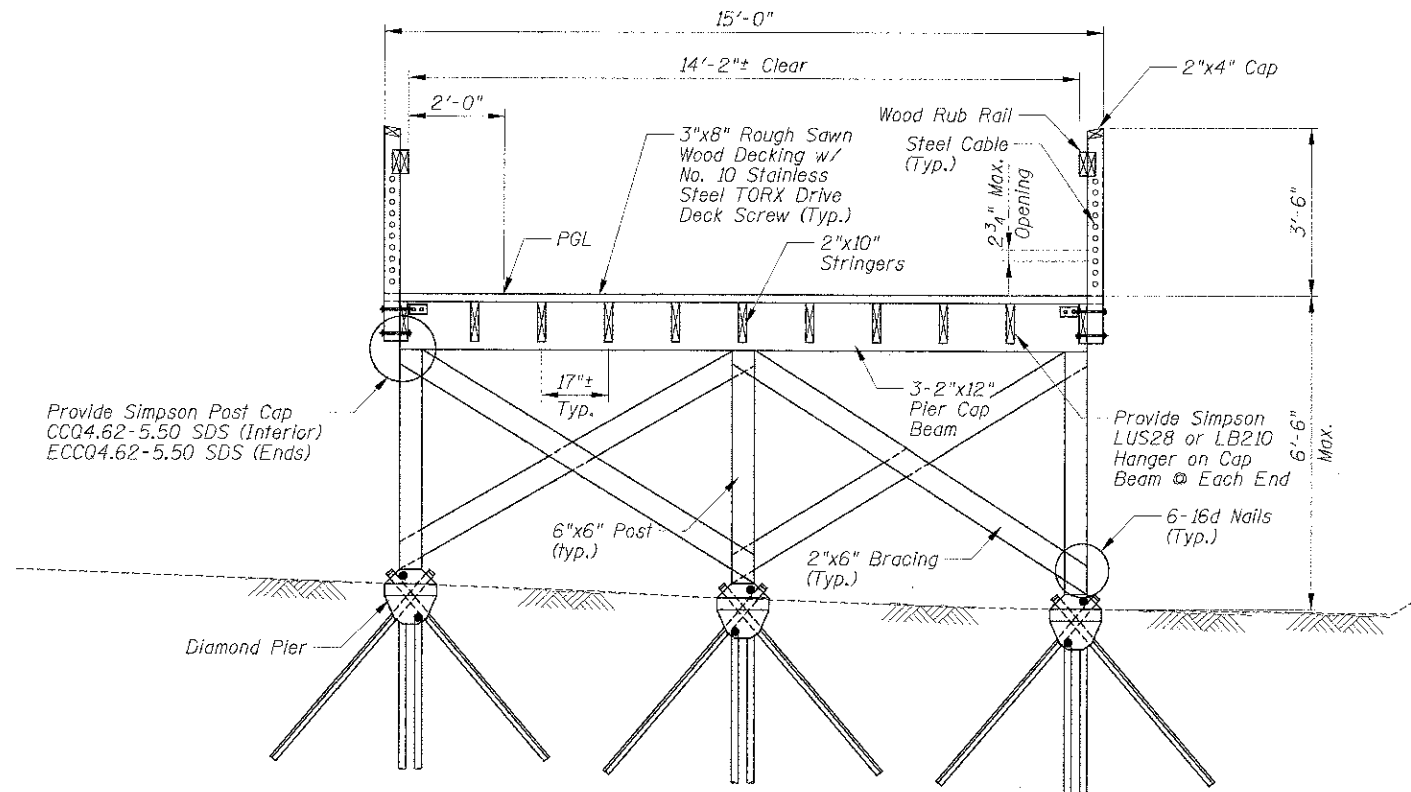
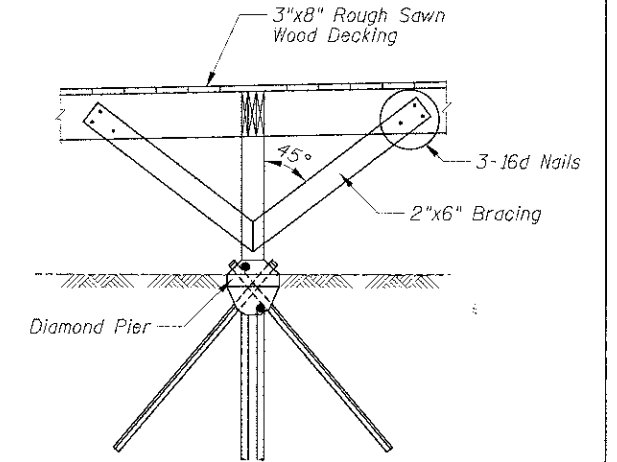


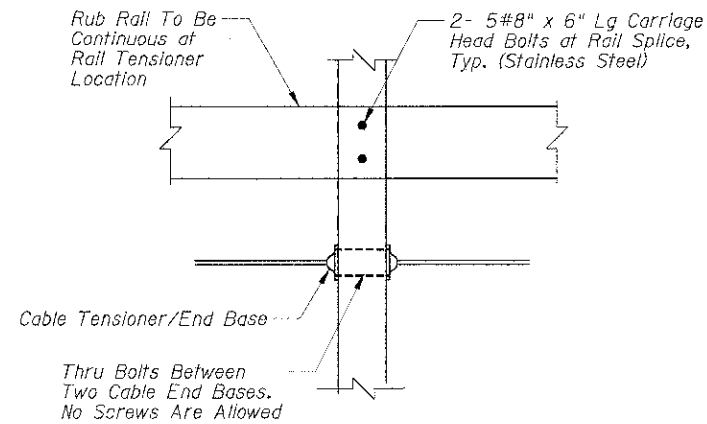
RAILING DETAIL



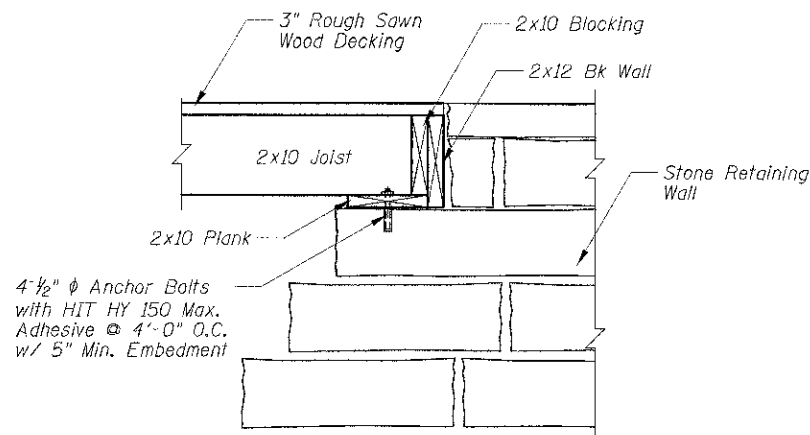
TYPICAL CROSS SECTION
(Cross Bracing At Every 3rd Pier)



DETAIL A
(Every 5th Pier)



RAIL TENSIONER DETAIL



ABUTMENT DETAIL